

CONTENTS

- Assembly Instructions
- Parts List and Diagram

Model 160-WP

4-Wheel Drum Truck

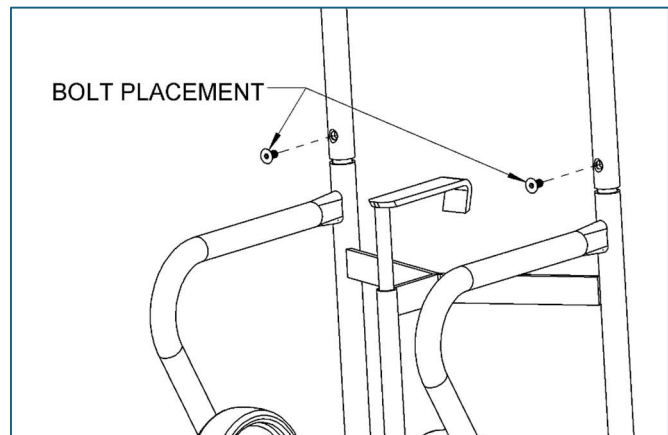
Wide tires for rough terrain

Capacity: 1000 Lb. (454 kg)

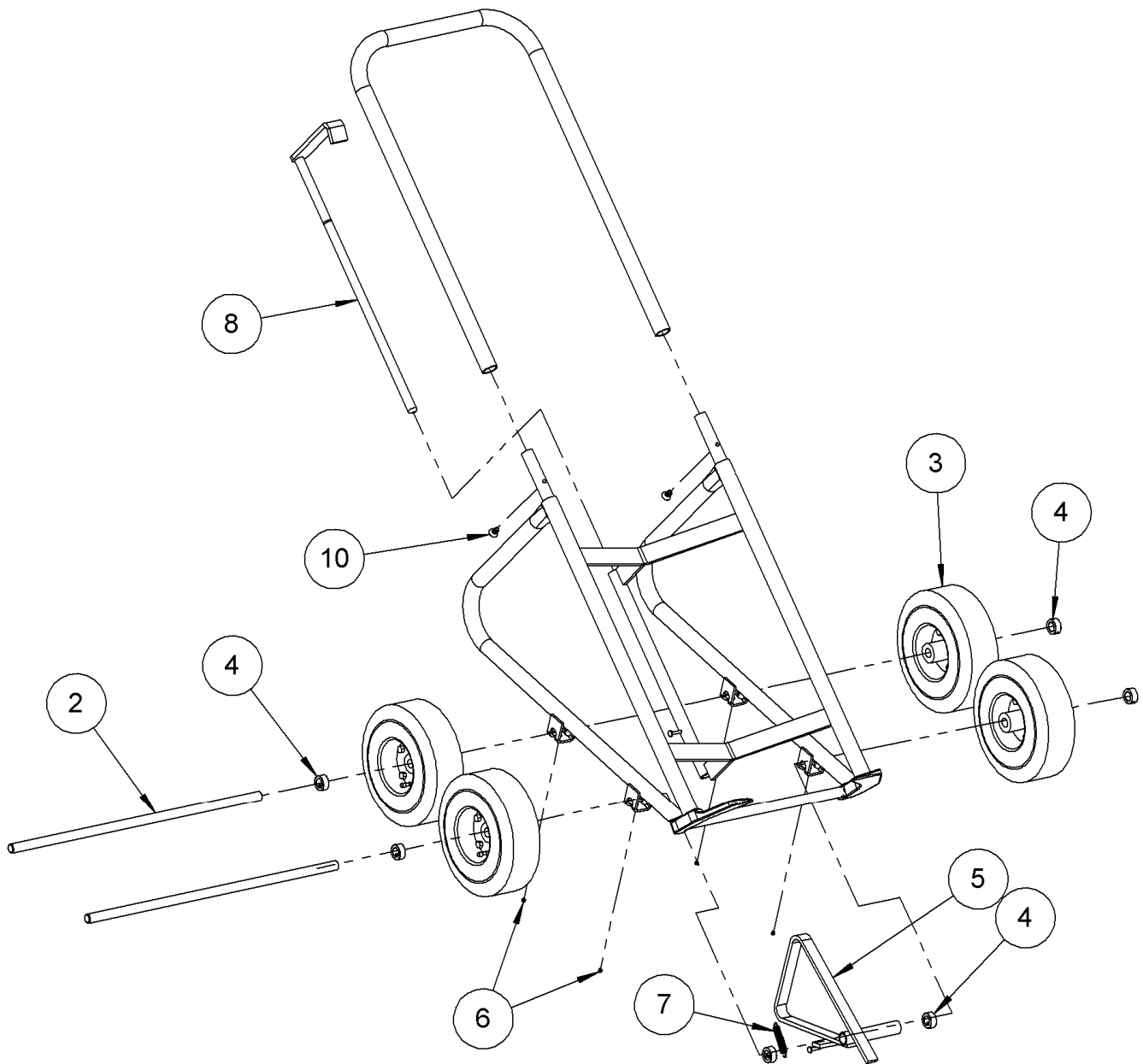


Assembly Instructions

1. Insert Hook Weld (item 7) into tube of drum truck base with holes aligned.
2. Install handle onto drum truck base. Secure with 2 screws (item 11) using 7/32" hex wrench.



WARNING - This product can expose you to chemicals including barium sulfate, cobalt, titanium dioxide, and 2-methylimidazole, which are known to the State of California to cause cancer, and bisphenol-A, which is known to the State of California to cause birth defects or other reproductive harm. For more information go to www.P65Warnings.ca.gov



ITEM	QTY.	PART NUMBER	DESCRIPTION
2	2	1381-P	AXLE, 25.5", 160-WP
3	4	1379-P	WHEEL, PNEUMATIC 10", 160-WP
4	6	15-P	COLLAR, 3/4" ID
5	1	1369-P	STAND WELD, 160
6	4	1000-P	SET SCREW, 1/4-20 X 1/4
7	1	1114-P	SPRING, EXTENSION, 160
8	1	5941-P	HOOK WELD, 160
10	2	4685-P	SCREW, HEX DRIVE 3/8-16 X 3/4