

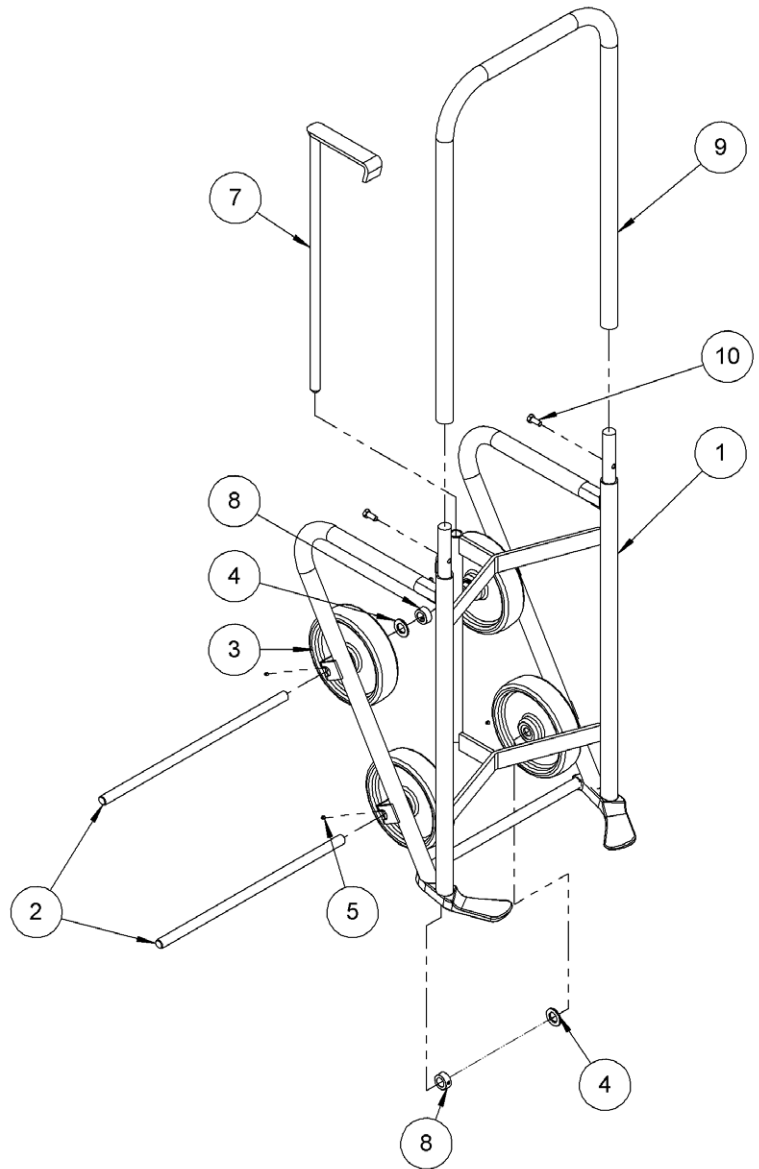
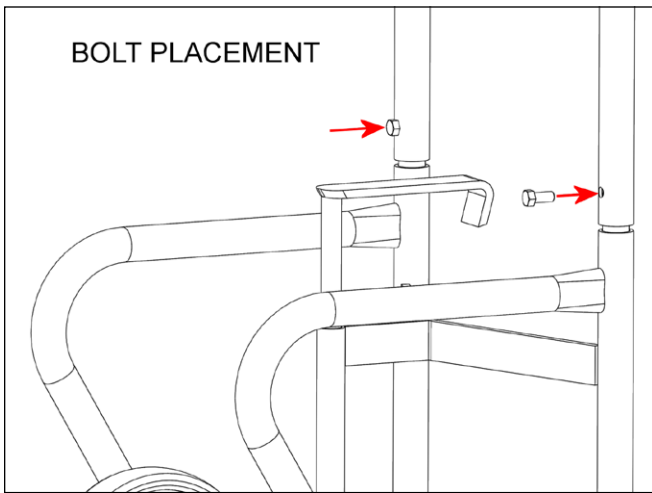
Parts List and Diagram for Model 160M 4-Wheel Drum Truck with Spark Resistant Parts with Serial Number 1213 to 1115



IMPORTANT NOTE

4-Digit serial numbers are simply the month & year of manufacture

Example: 0802 is August 2002



For replacement parts, please contact your Morse dealer.

When ordering parts, please specify:

- Part number and description
- Model number

ITEM	QTY	PART #	DESCRIPTION
1	1	5435WM-P	BASE WELD, 160M KD
2	2	1355-P	AXLE, 19.75", 160
3	4	87-P	WHEEL, MORTUF, 8", 3/4" BRG
4	4	55SS-P	WASHER, 3/4 SAE FL 1-1/2 OD SS
5	4	1000-P	SET SCREW, 1/4-20 X 1/4
7	1	2765-P	HOOK WELD, SR, 160M
8	4	15-P	COLLAR, 3/4" ID
9	1	5434WM-P	HANDLE WELD, 160M KD
10	2	5519-P	HHCS, 3/8-16 X 7/8", GR5