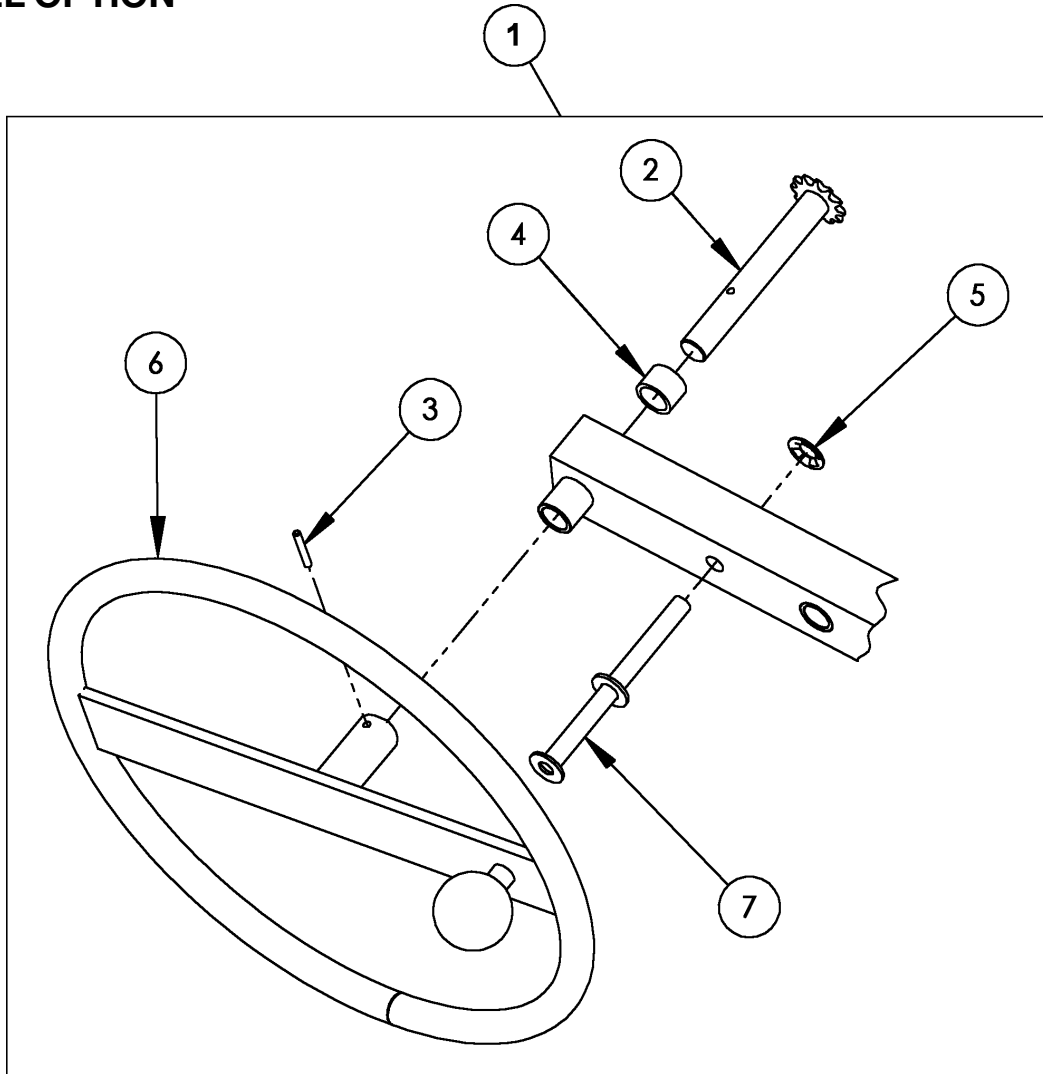


**PARTS LIST AND DIAGRAM FOR PART # 2690-P**  
**HANDWHEEL OPTION**



ITEM #	QTY	P/N	DESCRIPTION
1	1	2690-P	HANDWHEEL KIT, 16" DIA, W/ 12T
2	1	1302-P	SHAFT W/ 12T SPROCKET, POCKET
3	1	64-P	ROLL PIN, 3/16 X 1-1/4
4	1	1411-P	SPACER FOR SHAFT W/ 12T
5	1	718-P	PUSH NUT, 1/2"
6	1	2685-P	HANDWHEEL 16" 3/4B w/ KNOB
7	1	101-P	STOP PIN, HANDWHEEL, 1/2"