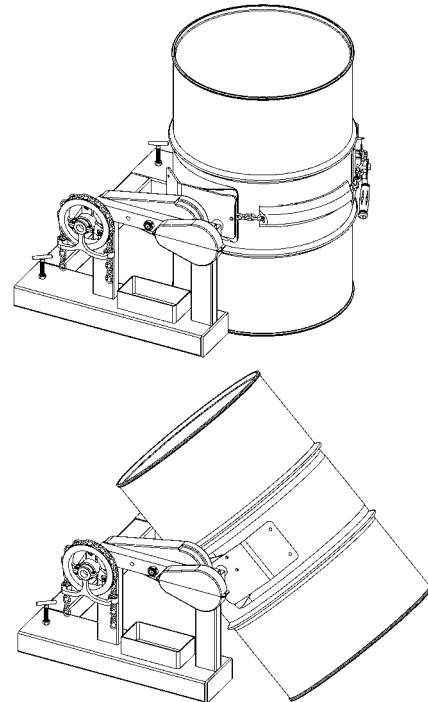


Contents

| | Page |
|-----------------------------------|-------|
| Receiving Procedures. | 1 |
| Warranty. | 1 |
| Safety Information. | 1 - 2 |
| Machine Description. | 3 - 4 |
| Operating Instructions. | 4 - 5 |
| Maintenance. | 5 |
| Parts Lists and Diagrams. | 6 - 7 |

Operator's Manual
for Morse Heavy-Duty Forklift-Karrier
with Spark Resistant Parts

Model 285AM-HD
Serial Number 0613 to 1114 (MMYY)



Receiving Procedures

Every Morse drum handler is inspected prior to shipping. However, damage may be incurred during transit.

- Check for visible damage. If you choose to accept damaged freight, always sign noting the damage on the **Bill of Lading**.
- Document the damage and have the truck driver sign. We recommend keeping a digital camera at your receiving dock for this purpose.
- Open packages expeditiously to check the condition of the goods. There is only a 24 hour window to notify the carrier of any concealed damage.
- Immediately **report all damage to the shipping company!** Then you may contact Morse for assistance with your freight claim.
- Morse Manufacturing will not be held responsible for any damaged freight that is not signed for as damaged.

Limited 2 Year Warranty

Morse drum handling equipment is guaranteed against defects in workmanship or materials for two years when used properly within its rated capacity. Warranty does not cover wear from normal use or damage from accident or abuse. Motors and other purchased parts carry the warranties of their manufacturers.

For warranty claims, contact your Morse Dealer to obtain a return authorization number, and for return freight advice. Return freight must be prepaid.

In all instances, liability is limited to the purchase price paid or to repairing or replacing the product. Customer assumes liability for any modifications, unauthorized repairs or parts substitution.

Safety Information

While Morse Manufacturing Co. drum handling equipment is engineered for safety and efficiency, a high degree of responsibility must be placed upon the machine operator to follow safe practices, based primarily on common sense, upon which true safety depends.

Failure to follow the safety precautions in this manual can result in personal injury or property damage. Observe the same precautions as with similar machinery where carelessness in operating or maintenance is hazardous to personnel. Carefully read the safety precautions below and throughout this manual.

Review the Material Safety Data Sheet(s) for the material(s) in the drum(s) and take all necessary precautions. Safety shoes, work gloves, hard hat and other personal protective devices are recommended.

Prior to initial use, inspect all moving parts and test rotation of chain wheel and saddle assembly. Inspect saddle assembly for proper operation. Perform necessary load test, inspections, operator training, etc.

**Operator's Manual for Morse Heavy-Duty Forklift-Karrier with Spark Resistant Parts
Model 285AM-HD Serial Number 0613 to 1114 (MMYY)**

Safety Information (continued)



DANGER - Indicates a situation which, if not avoided, will result in serious injury or death. This signal word is limited to the most extreme situations.



WARNING - Indicates a situation which, if not avoided, could result in serious injury or death.



CAUTION - Indicates a situation which, if not avoided, can result in damage to the machine.



WARNING - The Heavy-Duty Forklift-Karrier is designed to handle one drum of the types listed at the top of page 3. Machine Description. DO NOT attempt to handle any other type of drum or object. DO NOT exceed the weight capacity of 1500 Lb. Exceeding these ratings is unsafe and could result in equipment damage, excessive wear or awkward handling.



WARNING - Do Not Modify the Unit. Under no circumstances should any modifications be made to the Morse machinery without factory authorization. Any modifications may void the warranty. This machine was designed to perform a specific job and alterations may result in injury to operator or machine.



WARNING - No Loose Fitting Clothing. Wear close-fitting clothing and safety equipment appropriate to the job. Loose fitting clothing may become caught on the machinery and cause severe personal injury.



CAUTION - Do Not Transport with Drum Raised. Always lower the drum holder to lowest position before transporting.



CAUTION - Wear safety shoes with non-slip soles and hard toe protection.



CAUTION: DO NOT allow drum to impact on floor, ground, or dumping station, etc.

**Operator's Manual for Morse Heavy-Duty Forklift-Karrier with Spark Resistant Parts
Model 285AM-HD Serial Number 0613 to 1114 (MMYY)**

Machine Description

The Model 285AM-HD Heavy-Duty Forklift-Karrier is designed to lift, transport, and dispense a ribbed 55-gallon steel or fiber drum 22" to 23.5" in diameter. The maximum full-drum capacity is 1500 Lb. The capacity is derated to 800 Lb. for a half-full drum. The half-full rating is based on the tilt mechanism's capacity for handling an unbalanced bottom-heavy drum.



Options

- A smaller diameter drum can be handled with the correct size 55/30 Series Diameter Adaptor installed (see [Diameter Adaptor literature](#)).
- The **Bracket Assembly** (Part # 4556M-P) is **required** to handle a plastic drum without a top rim (see figure 2.1). It is also recommended to more securely handle a fiber drum. You can use the Bracket Assembly with a 55-gallon plastic, steel or fiber drum. The brace at top and bottom of the drum prevent it from slipping lengthways through the drum holder. It adjusts for a drum 31" to 39" tall.
- The **Top Rim Clamp** (Part # 4560M-P) grips the upper rim of your drum to prevent it from slipping through the drum holder (see figure 2.2). To handle a 55-gallon plastic drum with top rim, you **must** install either the Bracket Assembly or the Top Rim Clamp. You can use the Top Rim Clamp with a 55-gallon plastic, steel or fiber drum with suitable top rim.

Important

1. Please read all instructions thoroughly before attempting to operate your new Morse drum handler.
2. When loading, unloading, operating, or maintaining your MORSE drum handler, always use care and good judgment. Maintain secure footing and a firm hold. Keep hands and loose clothing away from all moving parts. Never allow anyone to be below any part of a raised drum handler or drum. Read operating instructions and review the pictures in the sales brochure before operation.
3. This Model is a front-end attachment for a forklift, OSHA recommends that "... the truck (forklift) be marked to identify the attachment(s) and show the approximate weight of the truck and attachment combination at maximum elevation with load laterally centered." See center of gravity dimensions on page 5 for calculating lost load on your equipment.

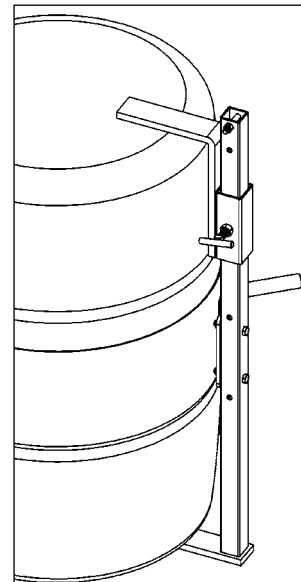


Figure 2.1

Plastic drum being lifted with part number 4556M-P Bracket Assembly installed.

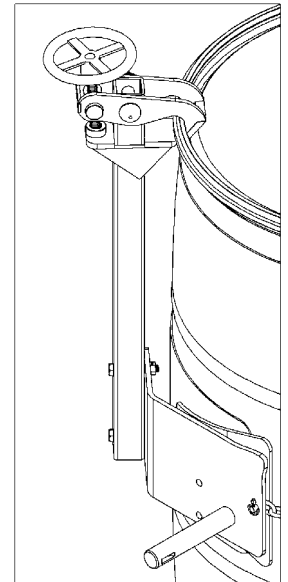
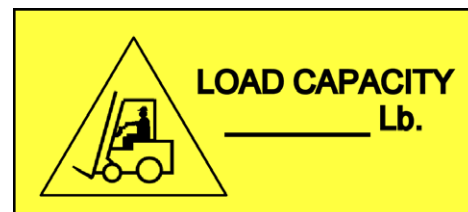


Figure 2.2

Plastic drum being lifted with part number 4560M-P Top Rim Clamp Assembly installed.



**Operator's Manual for Morse Heavy-Duty Forklift-Karrier with Spark Resistant Parts
 Model 285AM-HD Serial Number 0613 to 1114 (MMYY)**

Operating Instructions

1. Before sliding forklift forks into the fork tubes, adjust forks to an inside spread of 25" minimum. Lock forks into position on the forklift carriage.
2. Drive the forklift forward to slip the forks into the fork tubes. Tighten tee screws (item #8) to secure the Forklift Karrier to the forks.
3. Release the cinch chain (item #112) and hang the loose end from the upright peg on the front of the gear block. Swing the ratchet hinge plate to the open position.
4. Drive the forklift with the Forklift Karrier near floor level to position the saddle band around the middle of the drum between the ribs.
5. Drape the cinch chain across the front of the drum and insert one link into the slot on the ratchet handle (shown right). Turn the ratchet handle clockwise to tighten the cinch chain around the drum (see figure 1).
6. Remove pull chain (item #11) from chain box on base frame and place end of loop near operator's seat.
7. Raise forks to clear the floor and transport drum in vertical position to dispensing location.
8. To pour drum: pull on chain (item #11), rotating drum to angle required for dispensing. To control the pouring angle of the drum, pay out one side of chain and pull the other side to prevent the drum from free-wheeling.
9. If the Heavy-Duty Forklift-Karrier is equipped with the MORStop Tilt-Brake, there is no need to hold tension on both sides of the chain loop. Braking is immediate and self-actuating, without additional steps by the operator. To add the MORStop Tilt-Brake to your Heavy-Duty Forklift-Karrier, order kit for field installation (part # 3900-P).
10. When dispensing is completed, rotate the drum back to vertical and return drum. While transporting, ensure that the drum is raised away from the floor to prevent the drum bottom from interfering with a pallet or other obstacle.

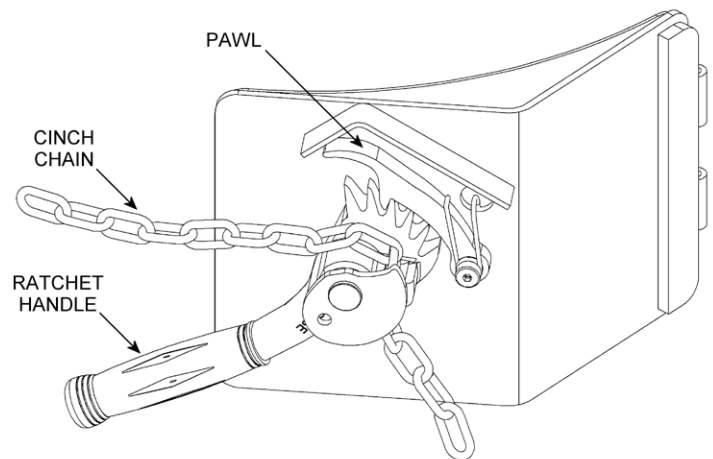
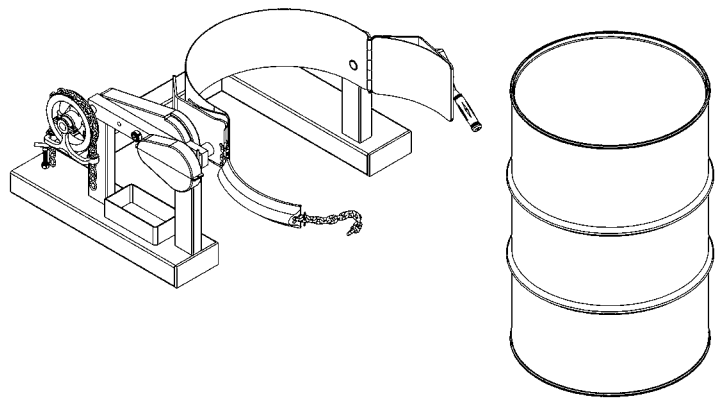
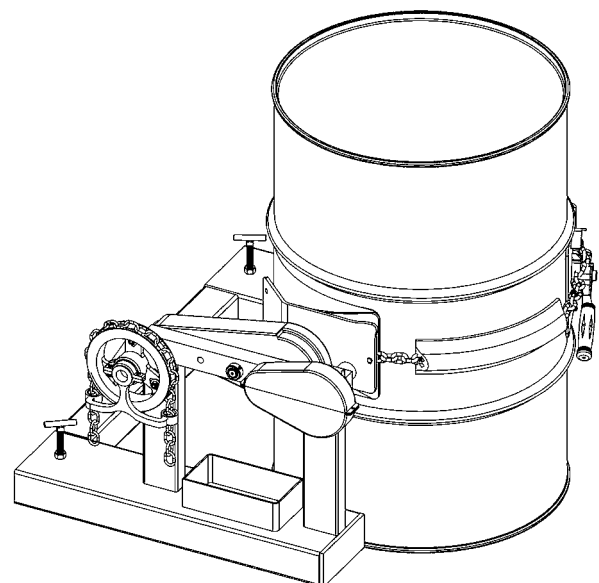


Figure 1

Maintenance

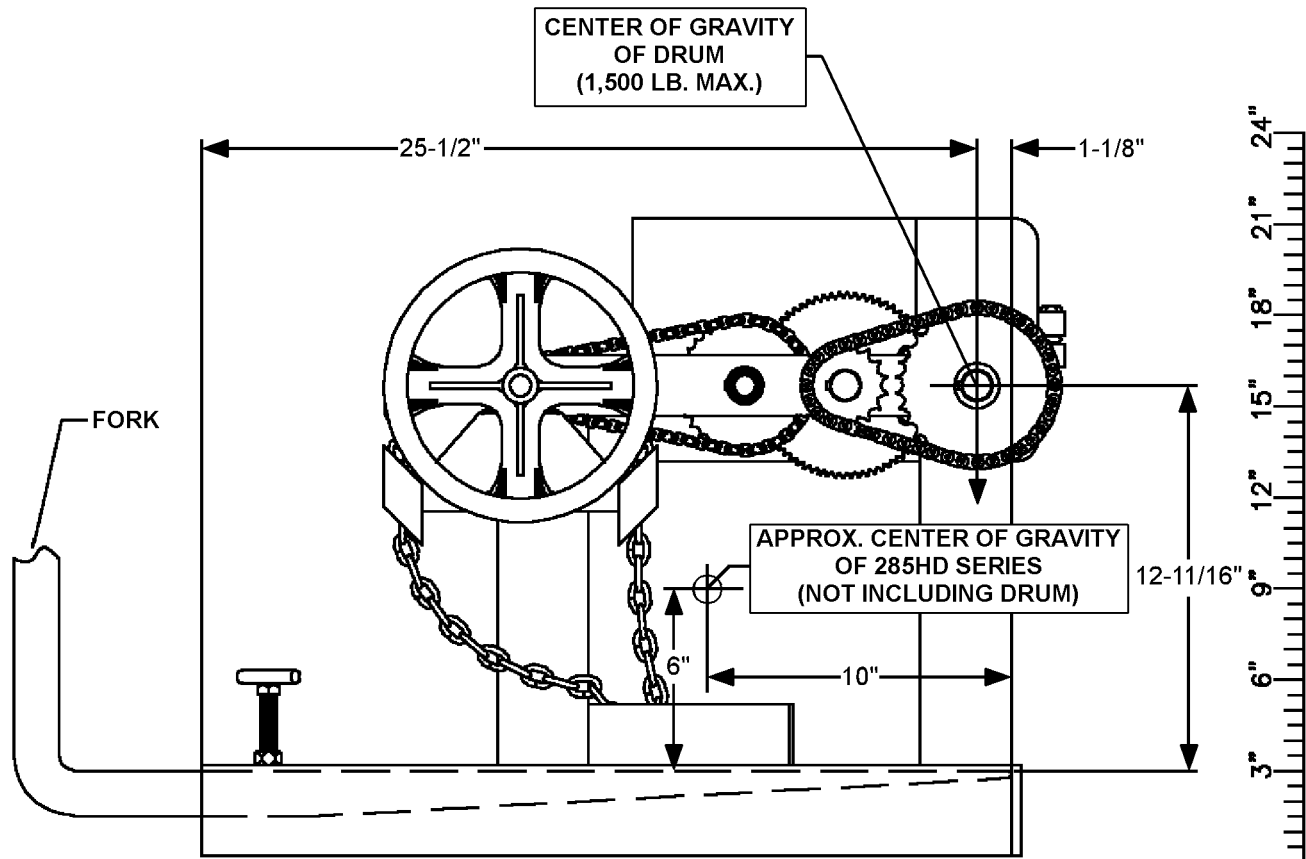
Periodic inspection for the general condition of structural and mechanical components is imperative for safe and efficient operation.

1. Lubricate gear teeth and roller chain.
2. Clean and oil ratchet, pawl and other moving parts periodically. Clean and lubricate more often in environments where dust, dirt or other foreign particles will effect the performance of moving parts.
3. Periodically inspect all moving parts, framework, drum holder and contact areas for signs of wear, fatigue, or loosening. Tighten, adjust, or replace parts as necessary to prevent failure and maintain proper function.
4. Worn or damaged parts must be properly replaced with the correct, genuine Morse parts.



**Operator's Manual for Morse Heavy-Duty Forklift-Karrier with Spark Resistant Parts
Model 285AM-HD Serial Number 0613 to 1114 (MMYY)**

CENTER OF GRAVITY DIMENSIONS FOR CALCULATING LOST LOAD ON EQUIPMENT

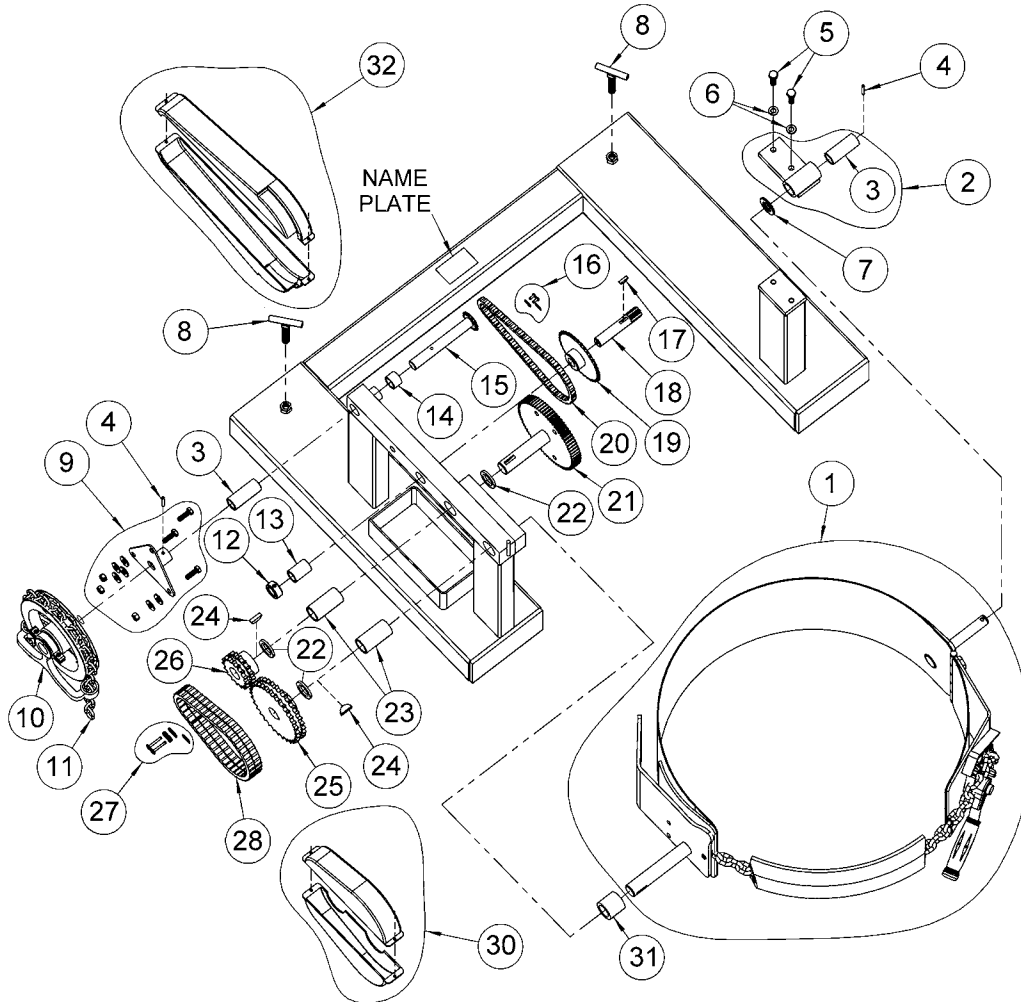


DIMENSIONS ARE MEASURED FROM INSIDE OF FORK TUBE END. THIS WILL GIVE A FIXED POINT TO WHICH LOST LOAD DATA CAN BE DETERMINED. (FORKS MUST BE TOUCHING THIS FORK TUBE END.)

| MODEL | NET WEIGHT |
|----------|------------|
| 285A-HD | 156 Lb. |
| 285AM-HD | 156 Lb. |
| 285G-HD | 160 Lb. |

| OPTION | ADD TO MODEL |
|--------|--------------|
| X01 | 4 L.B. |
| X02 | 0 L.B. |
| X03 | 4 L.B. |
| X04 | 10 L.B. |

Operator's Manual for Morse Heavy-Duty Forklift-Karrier with Spark Resistant Parts Model 285AM-HD Serial Number 0613 to 1114 (MMYY)

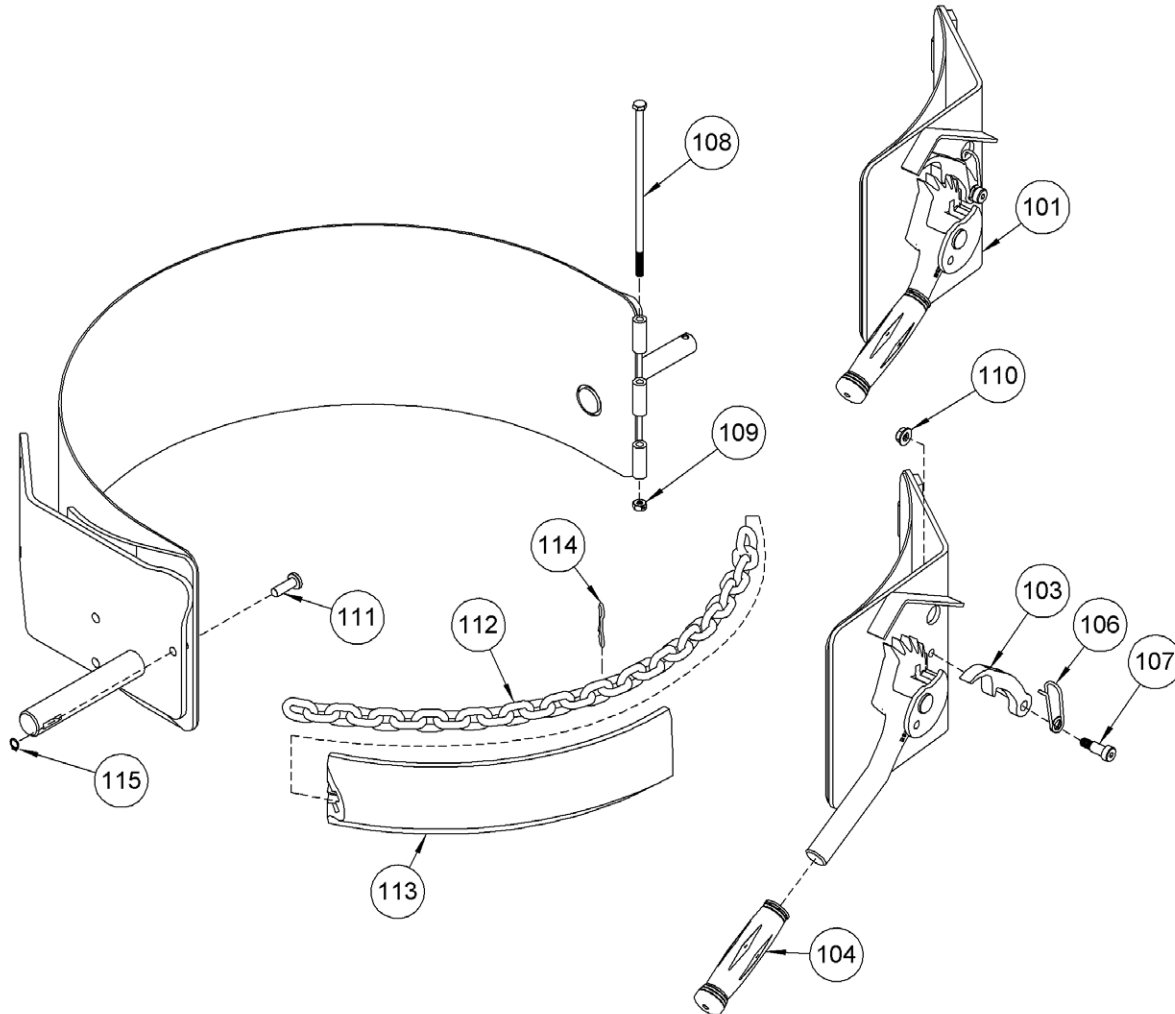


| ITEM | QTY. | PART # | DESCRIPTION |
|------|------|---------|--------------------------------|
| 1 | 1 | 5000M-P | SADDLE ASM, MORCINCH, MOR, SR |
| 2* | 1 | 3849B-P | BEARING BLOCK, SLIDING IDLER |
| 3* | 2 | 19-P | BEARING, 3/4" ID X 2-1/2" |
| 4* | 2 | 64-P | ROLL PIN, 3/16 X 1-1/4 |
| 5 | 2 | 535-P | HHCS, 3/8-16 X 1-1/4 GR5 |
| 6 | 2 | 1474-P | WASHER, 3/8 SPLIT LOCK |
| 7 | 1 | 55-P | WASHER, 3/4 SAE FL 1-1/2 OD |
| 8 | 2 | 58-P | SET SCREW, LOCK TEE, 285 |
| 9* | 1 | 3M-P | TRIANGLE W/ TUBE & BOLTS, SR |
| 10* | 1 | 1-P | CHAIN WHEEL #1-1/2 W/ GUIDE SR |
| 11* | 1 | 2953-P | CHAIN, PULL, BRASS, 1/0, 20' |
| 12 | 1 | 15-P | COLLAR, 3/4" ID |
| 13* | 1 | 7-P | BEARING, 3/4" ID X 1-1/2" |
| 14* | 1 | 1411-P | SPACER, SHAFT W/ 12T SPROCKET |
| 15* | 1 | 1302-P | SHAFT W/ 12T SPROCKET, POCKET |
| 16 | 1 | 795-P | LINK, MASTER, #35 CHAIN |

| ITEM | QTY. | PART # | DESCRIPTION |
|------|------|--------|---------------------------------------|
| 17* | 1 | 735-P | KEY, WOODRUFF, SIZE 9, ASA606 |
| 18* | 1 | 14-P | GEAR, PINION, 7 TOOTH |
| 19* | 1 | 13-P | SPROCKET #35 36T, 3/4" BORE |
| 20* | 1 | 12-P | CHAIN, ROLLER, #35 W/ M LINK |
| 21* | 1 | 27-P | SPUR GEAR W/ 1" SHAFT, HD TYPE |
| 22 | 3 | 29-P | SPACER, SPUR GEAR .15" |
| 23* | 2 | 18-P | BEARING, 1" ID X 2-1/2" |
| 24* | 2 | 736-P | KEY, WOODRUFF, SIZE 15, ASA808 |
| 25* | 1 | 32-P | SPROCKET #40D 32T, 1" BORE |
| 26* | 1 | 30-P | SPROCKET #40D 16T, 1" BORE |
| 27 | 1 | 796-P | LINK, MASTER, #40D CHAIN |
| 28* | 1 | 31-P | CHAIN, ROLLER, #40D W/ M. LINK |
| 29 | 4 | 2182-P | WIRE / CABLE TIE, 4-33/64 (not shown) |
| 30 | 1 | 4284-P | COVER SET, 40D SPROCKETS |
| 31 | 1 | 4372-P | SPACER, HD DRIVE SHAFT 1.4" |
| 32 | 1 | 4286-P | COVER SET, 30:1 GEARS, HD |

* Recommended spare parts.

Operator's Manual for Morse Heavy-Duty Forklift-Karrier with Spark Resistant Parts
Model 285AM-HD Serial Number 0613 to 1114 (MMYY)



| ITEM | QTY. | PART # | DESCRIPTION |
|------|------|----------|--------------------------------|
| 101* | 1 | 4214AM-P | RATCHET HINGE CPT, MOR, SR |
| 103 | 1 | 168-P | PAWL, WITH DRILLED HOLE |
| 104 | 1 | 4409-P | GRIP, HANDLE 7/8" X 4-3/4" RED |
| 106 | 1 | 169-P | SPRING, PAWL |
| 107 | 1 | 170-P | SCREW, 3/8 DIA X 5/8 SHOULDER |
| 108 | 1 | 1296-P | HHCS, 1/4-20 X 7-1/2 GR5 |
| 109 | 1 | 1297-P | NUT, 1/4-20 REV HEX LOCK |

| ITEM | QTY. | PART # | DESCRIPTION |
|------|------|----------|--------------------------------|
| 110 | 1 | 1634-P | NUT, 5/16-18 WHIZ LOCK |
| 111* | 1 | 4172SP-P | PIN, S.P., CINCH CHAIN, 5000-P |
| 112* | 1 | 4408-P | CHAIN, CINCH, 9/32 SS, 38 LINK |
| 113* | 1 | 4414-P | COVER, CINCH CHAIN, FLEX PVC |
| 114 | 1 | 4710-P | PIN, BOW TIE COTTER, MOR |
| 115* | 1 | 4744-P | SNAP RING, EXTERNAL, 3/8" |

* Recommended spare parts.