

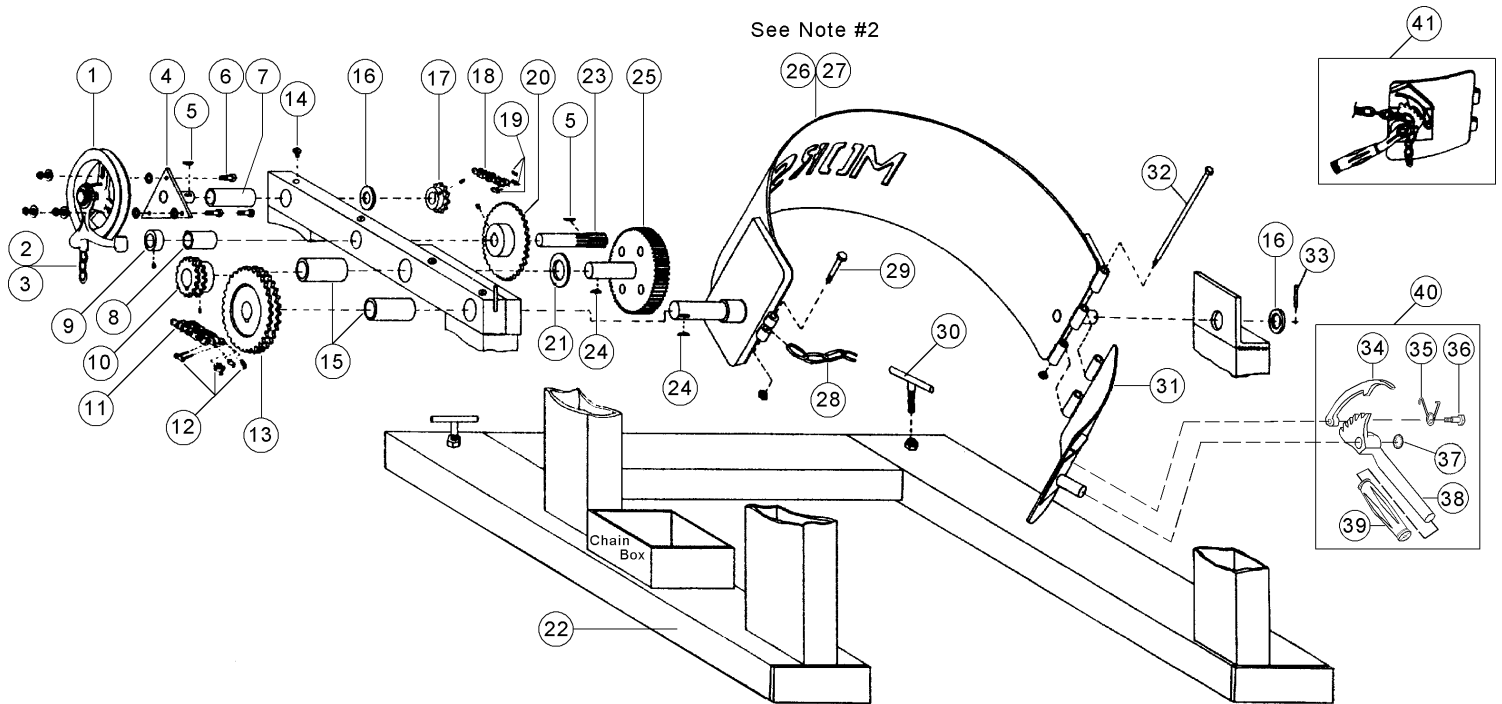
MORSE 285A-HD SERIES FORK LIFT-KARRIER

Serial Number 0487 to 0693

ITEM NUMBER	MODEL LETTER SUFFIX see note #1	QTY	P/N	DESCRIPTION
1		1	1-P	CHAIN WHEEL #1-1/2 W/ GUIDE
2		20	2-P	PULL CHAIN, 1/0, PER FT
3		1	2-285-P	PULL CHAIN, 1/0, 20' LENGTH
4		1	3-P	TRIANGLE & SHAFT W/ BOLTS
5		2	735-P	KEY, WOODRUFF, SIZE 9, ASA606
6		3	35-P	5/16 - 18 X 1 HHCS GR 2
7		1	19-P	BEARING, 3/4" ID X 2-1/2"
8		1	7-P	BEARING, 3/4" ID X 1-1/2"
9		1	15-P	COLLAR, 3/4" ID
10		1	30-P	SPROCKET #40D 16T, 1" BORE
11		1	31-P	CHAIN, ROLLER, #40D W/ M. LINK
12		1	796-P	LINK, MASTER, #40D CHAIN
13		1	32-P	SPROCKET #40D 32T, 1" BORE
14		4	33-P	ALEMTE GREASE FIT
15		2	18-P	BEARING, 1" ID X 2-1/2"
16		2	55-P	WASHER, 3/4 SAE FL 1-1/2 OD
17		1	11-P	SPROCKET, #35 12T, 3/4" BORE
18		1	12-P	CHAIN, ROLLER, #35 W/ M LINK
19		1	795-P	LINK, MASTER, #35 CHAIN
20		1	13-P	SPROCKET #35 36T, 3/4" BORE
21		1	29-P	SPACER, SPUR GEAR .15"
22	A	1	770A-P	BASE FRAME 285A-HD W/BRG
22	B	1	770B-P	** BASE WELD, 285B-HD, '88
23		1	14-P	GEAR, PINION, 7 TOOTH
24		2	736-P	KEY, WOODRUFF, SIZE 15, ASA808
25		1	27-P	SPUR GEAR W/ 1" SHAFT, HD TYPE
26	A	1	745A-P	SADDLE ASM, A-HD, '88
26	B	1	745B-P	** SADDLE ASM, B-HD, '88
27	A	1	750A-P	SADDLE WELD, A-HD, '88
27	B	1	750B-P	** SADDLE WELD, B-HD, '88
28		1	180-P	CHAIN, CINCH, 3/16 ALLOY 33 LK
29		1	155-P	3/8 - 16 X 2-1/2 HHCS GR 2
30		2	58-P	LOCK TEE SET SCREW, 285
31		1	731-P	RATCHET HINGE PLATE ONLY 1/4 A
32		1	720-P	HINGE BOLT & NUT, 1/4"
33		1	64-P	ROLL PIN, 3/16 X 1-1/4
34		1	168-P	PAWL, WITH DRILLED HOLE
35		1	169-P	PAWL SPRING
36		1	170-P	3/8" DIA X 5/8" SHOULDER SCREW
37		1	710-P	RETAINER, RATCHET PUSH ON 3/4"
38		1	165-P	RATCHET, MALLEABLE, SADDLE
39		1	136-P	HANDLE GRIP, 7/8" X 4-3/4"
40		1	165KIT-P	KIT, RATCHET CHAIN TIGHTENER
41		1	726-P	RATCHET HINGE PLATE CPT 1/4" A

Note #1: If no letter is shown, the part is for Models 285A-HD & 285B-HD
 "SADDLE COMPLETE" includes the drum band and appropriate attached moving parts: 29, 28 & 41.
 ** DISCONTINUED AND NO LONGER AVAILABLE. CONTACT FACTORY FOR RECOMMENDED REPLACEMENT.

PARTS DIAGRAM FOR MORSE 285-HD HEAVY-DUTY FORKLIFT KARRIER Serial Number 0487 to 0693 (MMYY)



For replacement parts, please contact your Morse dealer.

When ordering parts, please specify:

- Part number and description,
- Model number
- Serial number

Find model number and serial number on metal name plate attached to frame.