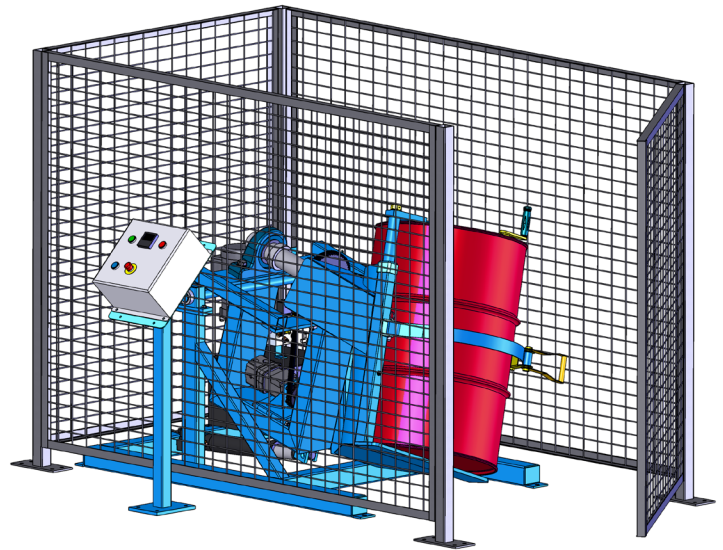


CONTENTS

	Page
Receiving Procedures.	1
Warranty.	1
Safety Information.	1 - 2
Machine Description.	3 - 4
Installation.	3
Operating Instructions.	4 - 5
Maintenance.	5
Parts Lists and Diagrams.	6 - 10

Operator's Manual
for Morse Automated
Tilt-To-Load Drum Rotators
311 Series

Serial Number 309425 to 315600



Receiving Procedures

Every Morse drum handler is inspected prior to shipping. However, damage may be incurred during transit.

- Check for visible damage. If you choose to accept damaged freight, always sign noting the damage on the **Bill of Lading**.
- Document the damage and have the truck driver sign. We recommend keeping a digital camera at your receiving dock for this purpose.
- Open packages expeditiously to check the condition of the goods. There is only a 24 hour window to notify the carrier of any concealed damage.
- Immediately **report all damage to the shipping company!** Then you may contact Morse for assistance with your freight claim.
- Morse Manufacturing will not be held responsible for any damaged freight that is not signed for as damaged.

Limited 2 Year Warranty

Morse drum handling equipment is guaranteed against defects in workmanship or materials for two years when used properly within its rated capacity. Warranty does not cover wear from normal use or damage from accident or abuse. Motors and other purchased parts carry the warranties of their manufacturers.

For warranty claims, contact your Morse Dealer to obtain a return authorization number, and for return freight advice. Return freight must be prepaid.

In all instances, liability is limited to the purchase price paid or to repairing or replacing the product. Customer assumes liability for any modifications, unauthorized repairs or parts substitution.

Safety Information

While Morse Manufacturing Co. drum handling equipment is engineered for safety and efficiency, a high degree of responsibility must be placed upon the machine operator to follow safe practices, based primarily on common sense, upon which true safety depends.

Failure to follow the safety precautions in this manual can result in personal injury or property damage. Observe the same precautions as with similar machinery where carelessness in operating or maintenance is hazardous to personnel. Carefully read the safety precautions below and throughout this manual.

Review the Material Safety Data Sheet(s) for the material(s) in the drum(s) and take all necessary precautions. Safety shoes, work gloves, hard hat and other personal protective devices are recommended.

Prior to initial use, inspect all moving parts and test rotation of drum holder. Inspect drum holder for proper operation. Perform necessary inspections, operator training, etc.

Operator's Manual for Morse 311 Series Automated Tilt-To-Load Drum Rotators
Serial Number 309425 to 315600

Safety Information (continued)



DANGER - Indicates a situation which, if not avoided, will result in serious injury or death. This signal word is limited to the most extreme situations.



WARNING - Indicates a situation which, if not avoided, could result in serious injury or death.



CAUTION - Indicates a situation which, if not avoided, can result in damage to the machine.



DANGER - Watch Out for Pinch Points. Stay clear of moving parts. Do Not Stand Near any Part of a Rotating Drum or Drum Holder. Operator should remain directly in front of the control station while operating the rotator. Morse 311 Series Drum Rotators comply with OSHA when installed in accordance with OSHA subpart O, 1910.212 - "General requirements for all machines." "Revolving drums, barrels, and containers shall be guarded by an enclosure which is interlocked with the drive mechanism, so that the barrel, drum, or container cannot revolve unless the guard enclosure is in place." A safety enclosure with interlock is included with each 311 model.



WARNING - The 311 Series is designed to rotate a steel, plastic or fiber drum weighing up to 800 Lb., (363 kg) ranging from 18" to 23.5" (45.7 to 59.7 cm) in diameter and from 29" to 37" (73.7 to 94 cm) in height. DO NOT attempt to handle any other type of drum or object. DO NOT exceed the weight capacity of 800 Lb. (363 kg).



WARNING - Level Floors Only. For operation only on clean, level floors of suitable bearing capacity. Do not use on sloped surfaces, ramps, irregular or debris strewn floors.



WARNING - Properly Mount to Floor. Do Not put into service without proper floor mounting and leveling. Use the four mounting holes in each corner of the base to anchor to floor.



WARNING - Do Not Modify the Unit. Under no circumstances should any modifications be made to the Morse machinery without factory authorization. Any modifications may void the warranty. This machine was designed to perform a specific job and alterations may result in injury to operator or machine.



WARNING - No Loose Fitting Clothing. Wear close-fitting clothing and safety equipment appropriate to the job. Loose fitting clothing may become caught on the machinery and cause severe personal injury.



WARNING - Hydraulic Fluid Under Pressure Can Be Hazardous. Escaping hydraulic fluid under pressure can penetrate the skin, causing serious injury. Avoid the hazard by relieving pressure before disconnecting hydraulic lines. Keep hands and body away from pinholes and nozzles which eject fluid under high pressure. Use a piece of cardboard to search for leaks. If an accident occurs, see a doctor immediately and inform them of the nature of the accident.



CAUTION - Wear safety shoes with non-slip soles and hard toe protection.



CAUTION: DO NOT allow drum to impact on floor.



WARNING: This product can expose you to chemicals including barium sulfate, cobalt, titanium dioxide, and 2-methylimidazole, which are known to the State of California to cause cancer, and bisphenol-A, which is known to the State of California to cause birth defects or other reproductive harm. For more information go to www.P65Warnings.ca.gov

Operator's Manual for Morse 311 Series Automated Tilt-To-Load Drum Rotators
Serial Number 309425 to 315600

Machine Description

The Morse 311 Series Automated Tilt-To-Load Drum Rotators are designed to receive an upright steel, plastic or fiber drum at floor level, hydraulically tilt up to clear the floor, and rotate the drum "corner-over-corner" between 5 and 20 RPM (4 to 16 RPM with 50Hz models). The maximum full drum capacity is 800 Lb. (363 kg). Capacity is derated to 400 Lb. (181 kg) for a half-full drum. Half-full Capacity is an indication of the capacity for tilting a bottom-heavy drum. A partially full drum with an unbalanced and shifting load is harder to tilt than a full drum.



Drum Holder

The drum holder is the component on the Automated Tilt-To-Load Drum Rotator that securely holds the drum for rotating. The drum holder features the web strap and ratchet mechanism for tightening the drum at the middle and two top clamps for holding the drum end-to-end.

Installation - Install reservoir breather BEFORE operation.

Automated Tilt-To-Load Rotators are shipped filled with hydraulic fluid (Dexron 3 or equivalent). The base has four holes spaced 36" (91.44 cm) wide x 59.5" (151.13 cm) long. Morse recommends the rotator be secured to the floor using 5/8" x 3" lag bolts. Install all Morse Rotators in accordance with OSHA requirements for enclosure and safety interlock, etc. Drum rotator must automatically turn off when enclosure door is opened (see enclosure instructions).

START UP PROCEDURES
PUMP ROTATION IS CLOCKWISE VIEWING FROM THE MOTOR END. JOG THE MOTOR TO DETERMINE PROPER ROTATION. IN THE EVENT FLUID DOES NOT FLOW, CHECK MOTOR WIRING DIAGRAM FOR CLOCKWISE ROTATION.

Important

1. Review the Material Safety Data Sheet(s) for the material(s) in the drum(s) and take all necessary precautions. Safety shoes, work gloves, hard hat and other personal protective devices are recommended.
2. Please read all instructions thoroughly before attempting to operate your new Morse drum handler.
3. When loading, unloading, operating, or maintaining your MORSE drum handler, always use care and good judgment. Maintain secure footing and a firm hold. Keep hands and loose clothing away from all moving parts. Never allow anyone to be below any part of a raised drum handler or drum. Read operating instructions and review the pictures in the sales brochure before operation.

Operator's Manual for Morse 311 Series Automated Tilt-To-Load Drum Rotators
Serial Number 309425 to 315600

Loading a Drum

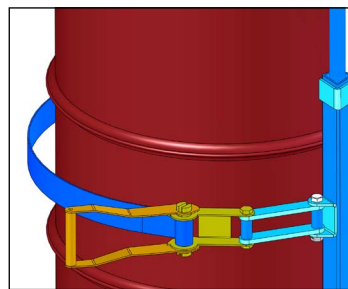
1. With the drum holder in the lowered position, the bottom loading plate will be slightly above the floor. Swing the hinged ratchet plate clear of the drum opening. Loosen the top clamps to the full open position.
2. A variety of drum handling methods can be used to set the drum into the drum holder. Ensure that the drum is fully seated against the back of the drum holder.



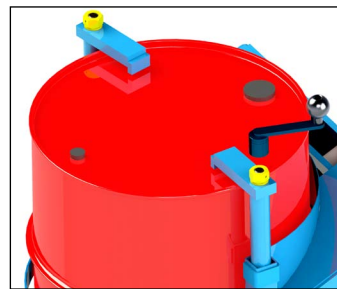
Load drum with drum truck



Load drum with hoist attachment



3. Drape the web strap across the face of the drum, and thread through slot in ratchet. Operate ratchet to tighten strap around drum.



4. Turn the top clamps until they tighten against top of drum. Then remove hand crank BEFORE rotating drum.

Operating Instructions

1. Close the enclosure gate and verify that the key on the door panel inserts properly into the interlock switch. If key is not aligned properly, adjust accordingly.
2. Adjust the timer: using the small buttons on the timer, set the desired time of rotation to the nearest tenth of a minute.



Control Panel



Hydraulic Manifold

3. Press the green "START" button to begin the cycle:
 - a. The drum holder will rise to the top position
 - b. The drum holder will start the slow speed rotation for about 5 seconds
 - c. The drum holder will rotate at the high speed setting (The high speed setting is adjusted using the silver handle on the top of the hydraulic reservoir – see image above. If the silver knob is turned fully clockwise, the drum will rotate at full speed. As the silver knob is turned counterclockwise, the high speed setting is lowered.)

Operator's Manual for Morse 311 Series Automated Tilt-To-Load Drum Rotators
Serial Number 309425 to 315600

Operating Instructions (continued)

- d. The drum holder will stop rotating after the preset time has been reached
 - e. The drum holder will lower back to the floor in the upright position.
4. 4. If at any time the operator needs to stop the rotator, the red "EMERGENCY STOP" (E-STOP) or the red "STOP" button can be pressed, and the rotation will stop.
- a. If the E-STOP is pressed during a rotation cycle, the drum stops, the timer is reset, and the cycle is cancelled, requiring a full reset by deactivating the E-STOP (turn knob CW until it pops back out), press and hold the blue "RESET" button until the drum returns to the floor level. The timer will be reset to original timer setting.
 - b. If the red "STOP" button is pressed during a rotation cycle, the drum and timer stop. You can start the cycle again by pressing the green "START" button and it continues where it left off. Alternately, after pressing the red "STOP" button, you can press the blue "RESET" to return it to the beginning of the cycle, which includes a timer reset.
 - c. If the safety switch interrupts the process by opening the gate on a safety enclosure, follow procedure in step 4a above.

Unloading a Drum

1. Ensure the drum is in vertical upright position to unload.
2. Squeeze the ratchet release lever and open all the way to unlock, then release the tension on the strap. Allow enough slack in the strap in order to remove strap from ratchet.
3. Loosen top clamps and swing clear of drum.
4. Remove drum with appropriate drum handling equipment.

Preventative Maintenance

Periodic inspection for the general condition of structural and mechanical components is imperative for safe and efficient operation.

Monthly

- Inspect the hydraulic system for oil drips, hose damage, or other signs of wear. Inspect the level and condition of the hydraulic fluid. Hydraulic fluid level should be within a ½" of the top of the reservoir when the cylinder is in the relaxed position. Replace any parts that show signs of wear.
- Inspect all moving parts, framework, ratchet, web strap, fasteners and contact areas for signs of wear, fatigue, or loosening. The web strap should be removed from service and replaced if any of the following are visible:
 - Acid or caustic burns
 - Melting or charring of any part of the strap
 - Holes, tears, cuts, snags or embedded articles
 - Broken or worn stitching in load bearing splices
 - Excessive abrasive wear

Every 6 to 12 Months in Ordinary Environment (monthly in dirty conditions)

- Lubricate all moving parts.
- Pillow Block Bearings. See [Bearing Lubrication Sheet](#) for grease types and fill amounts.
- Drive chain: Grease with multiservice lubricant e.g. Whitmore's [Surtac® 2000 HD](#)
- Clamp Screws: Grease every 6-12 months with multiservice lubricant e.g. Whitmore's [Surtac® 2000 HD](#)

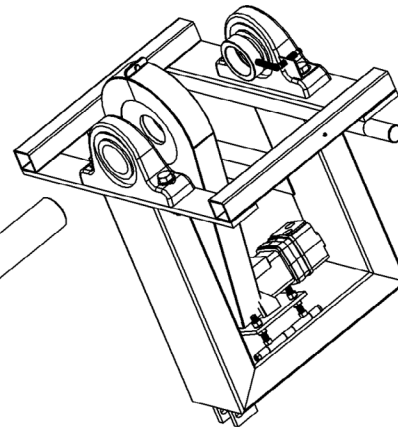
Yearly

- Hydraulic Pump: Change oil with ATF Dexron III or equivalent. See maintenance information on page 2 of [Hydraulic Pump Sheet](#) for more oil information.

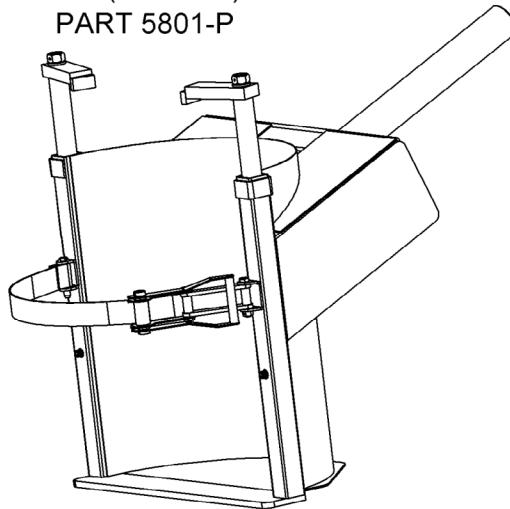
Operator's Manual for Morse 311 Series Automated Tilt-To-Load Drum Rotators
Serial Number 309425 to 315600

CONTROL PACKAGE		
MODEL #	CONTROL PACKAGE #	DESCRIPTION
311-1-115	CP-311-1-115	CONTROL PKG, 311-1-115
311-1-230	CP-311-1-230	CONTROL PKG, 311-1-230
311-3-230	CP-311-3-230	CONTROL PKG, 311-3-230
311-3-460	CP-311-3-460	CONTROL PKG, 311-3-460
311-3-575	CP-311-3-575	CONTROL PKG, 311-3-575
311-1-220-50	CP-311-1-220-50	CONTROL PKG, 311-1-220-50
311-3-230-50	CP-311-3-230-50	CONTROL PKG, 311-3-230-50
311-3-400-50	CP-311-3-400-50	CONTROL PKG, 311-3-400-50

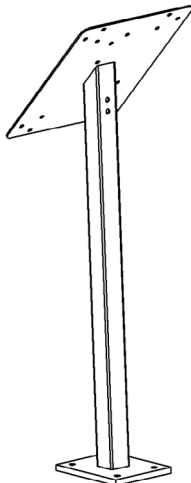
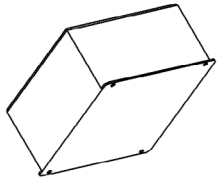
TILT ASSEMBLY
(NOT SOLD SEPARATELY)



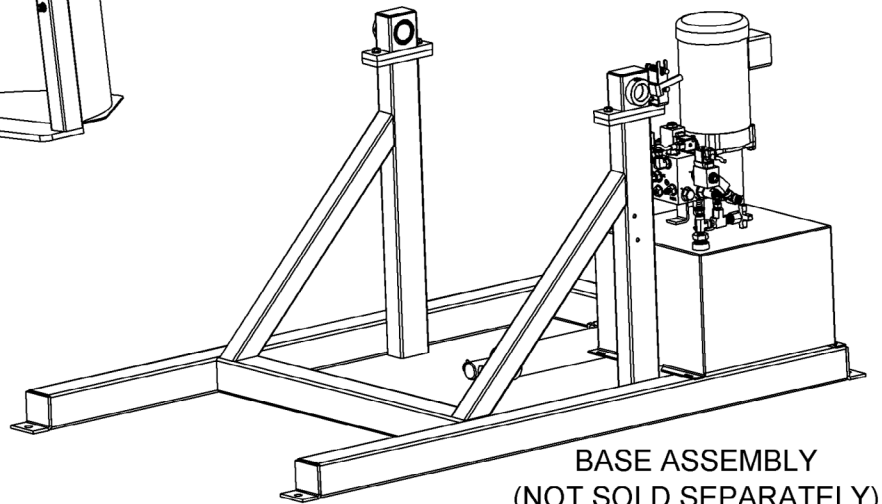
DRUM HOLDER (SADDLE) ASSEMBLY
PART 5801-P



CONTROL PACKAGE
(SEE LIST)



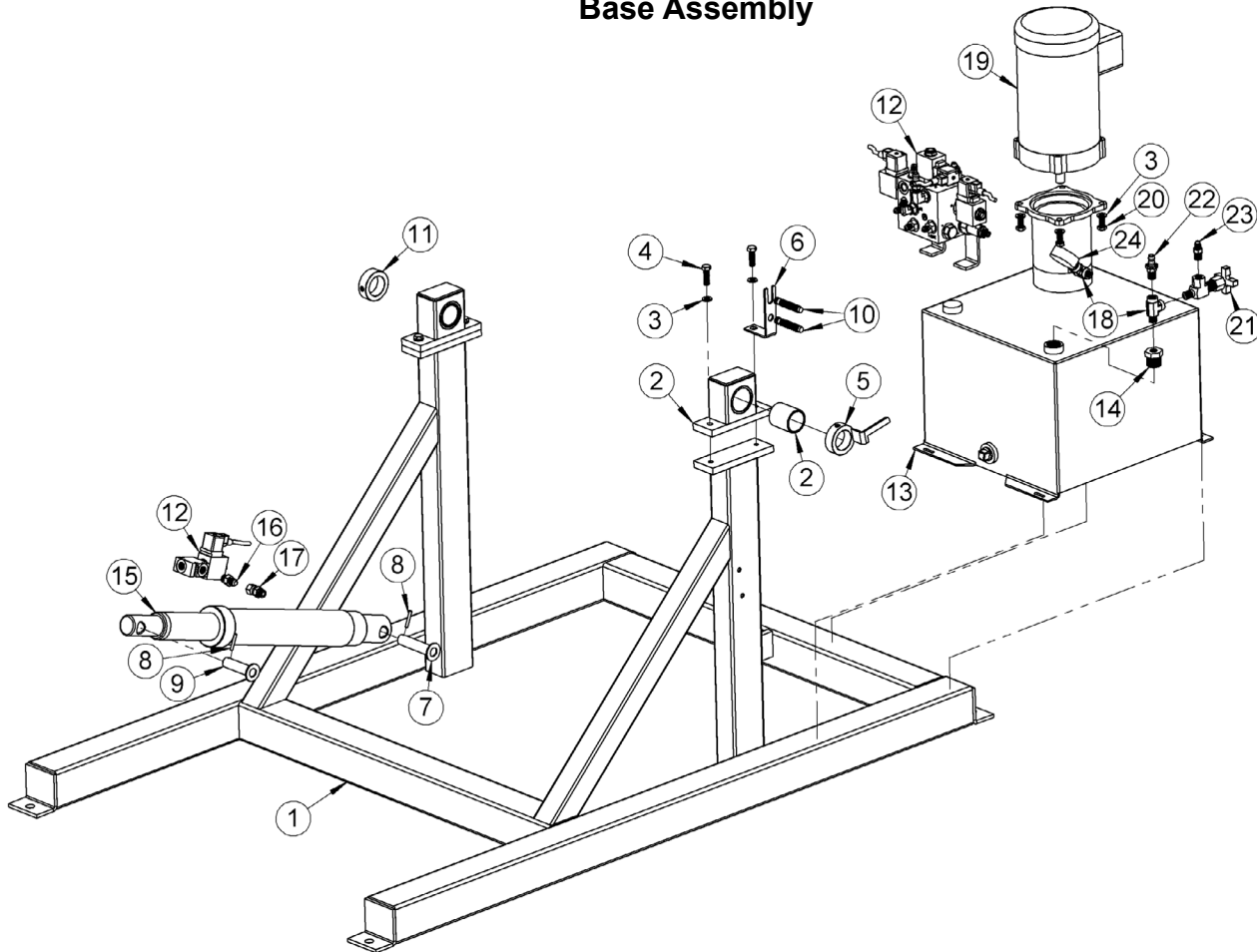
MAST ASSEMBLY
PART 5763-P



BASE ASSEMBLY
(NOT SOLD SEPARATELY)

Operator's Manual for Morse 311 Series Automated Tilt-To-Load Drum Rotators Serial Number 309425 to 315600

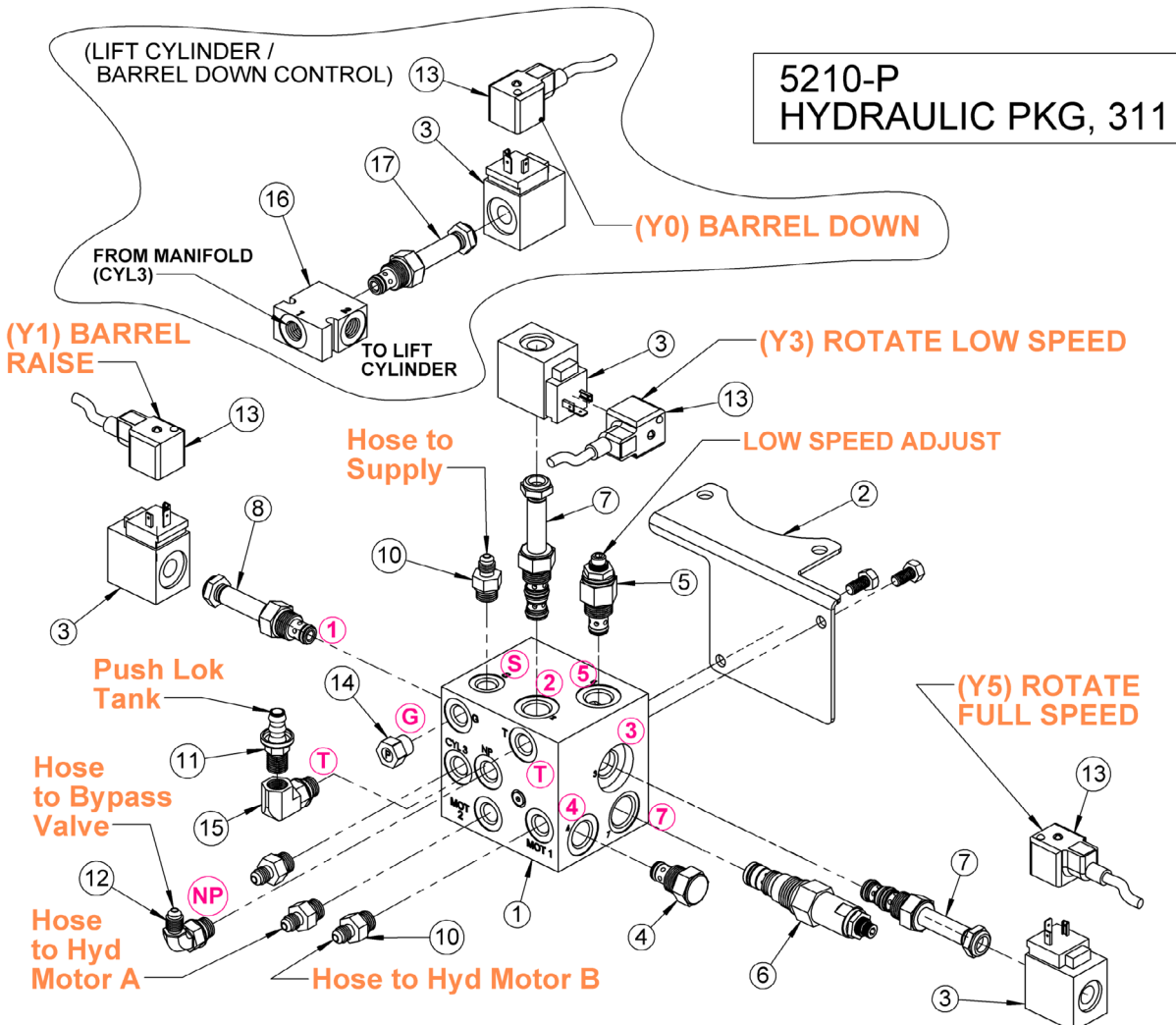
Base Assembly



ITEM 19 - MOTOR		
MODEL #	MOTOR #	DESCRIPTION
311-1-115	3186-1-P	MOTOR, 2HP, 1PH, 3450 RPM
311-1-230	3186-1-P	MOTOR, 2HP, 1PH, 3450 RPM
311-3-230	3186-3-P	MOTOR, 2HP, 3PH, 3450 RPM
311-3-460	3186-3-P	MOTOR, 2HP, 3PH, 3450 RPM
311-3-575	3186-575-P	MOTOR, 2HP, 3PH, 3450 RPM 575V
311-1-220-50	3186-1-50-P	MOTOR, 2HP, 1PH, 2850 RPM 50HZ
311-3-230-50	3186-3-50-P	MOTOR, 2HP, 3PH, 2850 RPM 50HZ
311-3-400-50	3186-3-50-P	MOTOR, 2HP, 3PH, 2850 RPM 50HZ

ITEM NO.	PART NUMBER	DESCRIPTION	QTY.
1	4920-P	BASE WELD, 310	1
2	3520-P	IDLER BEARING ASM W/ CAP 310	2
3	1474-P	WASHER, 3/8 SPLIT LOCK	8
4	535-P	HHCS, 3/8-16 X 1-1/4 GR 5 ZINC	4
5	5153-P	COLLAR, TAB, 1-1/2, 311	1
6	5158-P	BRACKET, SENSOR MOUNT, 311	1
7	3275-P	CLEVIS PIN WELD, DEAD END 310	1
8	64-P	ROLL PIN, 3/16 X 1-1/4	2
9	3276-P	CLEVIS PIN WELD, LIVE END 310	1
10	5502-P	311 SENSOR	2
11	570-P	COLLAR, 1-1/2" ID	1
12	5210-P	HYDRAULIC PACKAGE (SEE PAGE 8)	1
13	M404-310-P	HYD POWER PACK, 310	1
14	4008-P	FIT, PIPE REDUCER, 3/4-1/4 310	1
15	4572-P	CYLINDER, 2 X 10.5, 310	1
16	4593-P	HYD FIT, SAE STRAIGHT	1
17	4594-P	HYD FIT, SAE STRAIGHT SWIVEL	1
18	1105-P	HYD FIT, RUN TEE, 456, 310	2
19	MOTOR	SEE LIST AT LEFT	1
20	1572-P	HHCS, 3/8-16 X 1 GR2	4
21	4772-P	VALVE, METERING, 310	1
22	1107-P	HYD FIT, 1/4 X 3/8 PUSH LOK	1
23	345-P	HYD FIT, MALE FLARE, 456, 82	1
24	5744-P	PRESSURE GAUGE, 310	1

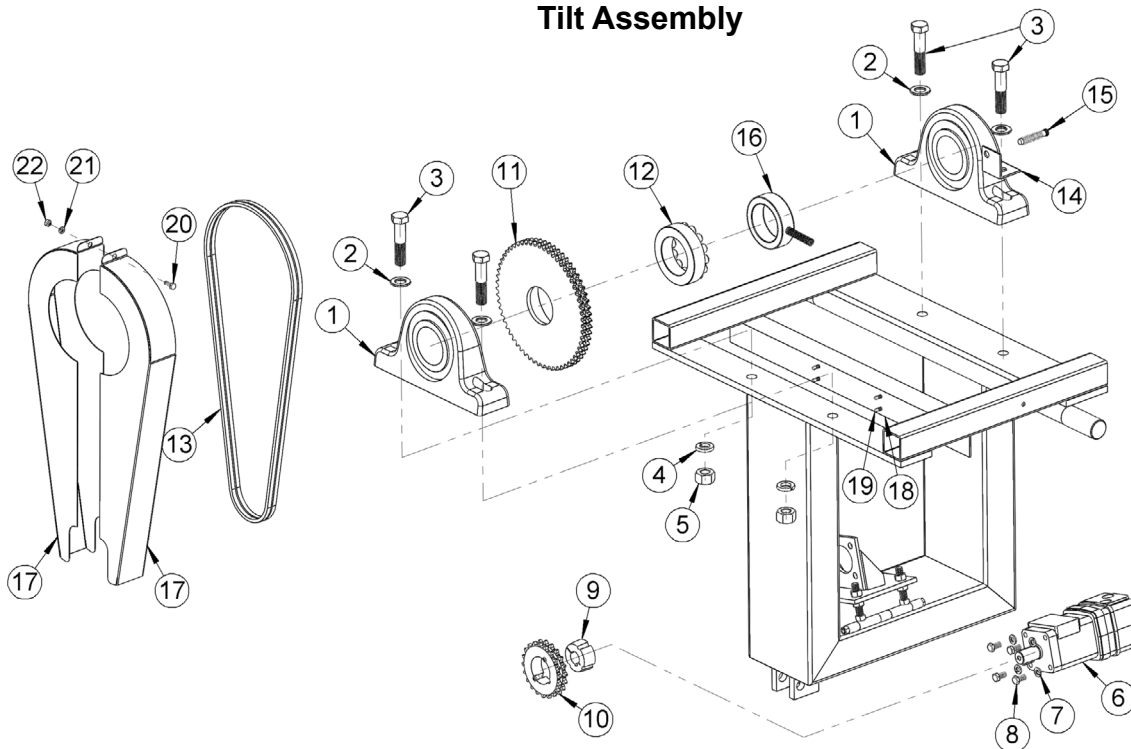
**Operator's Manual for Morse 311 Series Automated Tilt-To-Load Drum Rotators
Serial Number 309425 to 315600**



ITEM NO.	PART NUMBER	DESCRIPTION	QTY.
1	5163-P	MANIFOLD, HYD, 311 2012	1
2	6259-P	MOUNT, MANIFOLD, 311 LC	1
3	4534A-P	COIL, 120V AC, 1/2" ID	4
4	4947-P	VALVE, CHECK, AUTO-310	1
5	4948-P	VALVE, AUTO-310	1
6	4600-P	CART, COUNTER BALANCE, 310	1
7	4946-P	VALVE, SOLENOID, DSL083N	2
8	5199-P	VALVE, SOLENOID, DSL081NR	1
9	215-P	HHCS, 5/16-18 X 5/8 GR2	2
10	3612-P	HYD FIT, SAE 9/16 ADAPTOR	4
11	1107-P	HYD FIT, PUSH LOK 1/4 X 3/8	1
12	3610-P	HYD FIT, MALE ELBOW, SAE 9/16	1
13	5209-P	CORD ASM, COIL, 120V, 15'	4
14	4684-P	HYD FIT, PLUG, SAE -6	1
15	3757-P	HYD FIT, FEMALE EL, SAE 9/16	1
16	4955-P	BODY, VALVE, B08-2-A6T	1
17	4535A-P	VALVE, SOLENOID, DSL081CR	1

Operator's Manual for Morse 311 Series Automated Tilt-To-Load Drum Rotators Serial Number 309425 to 315600

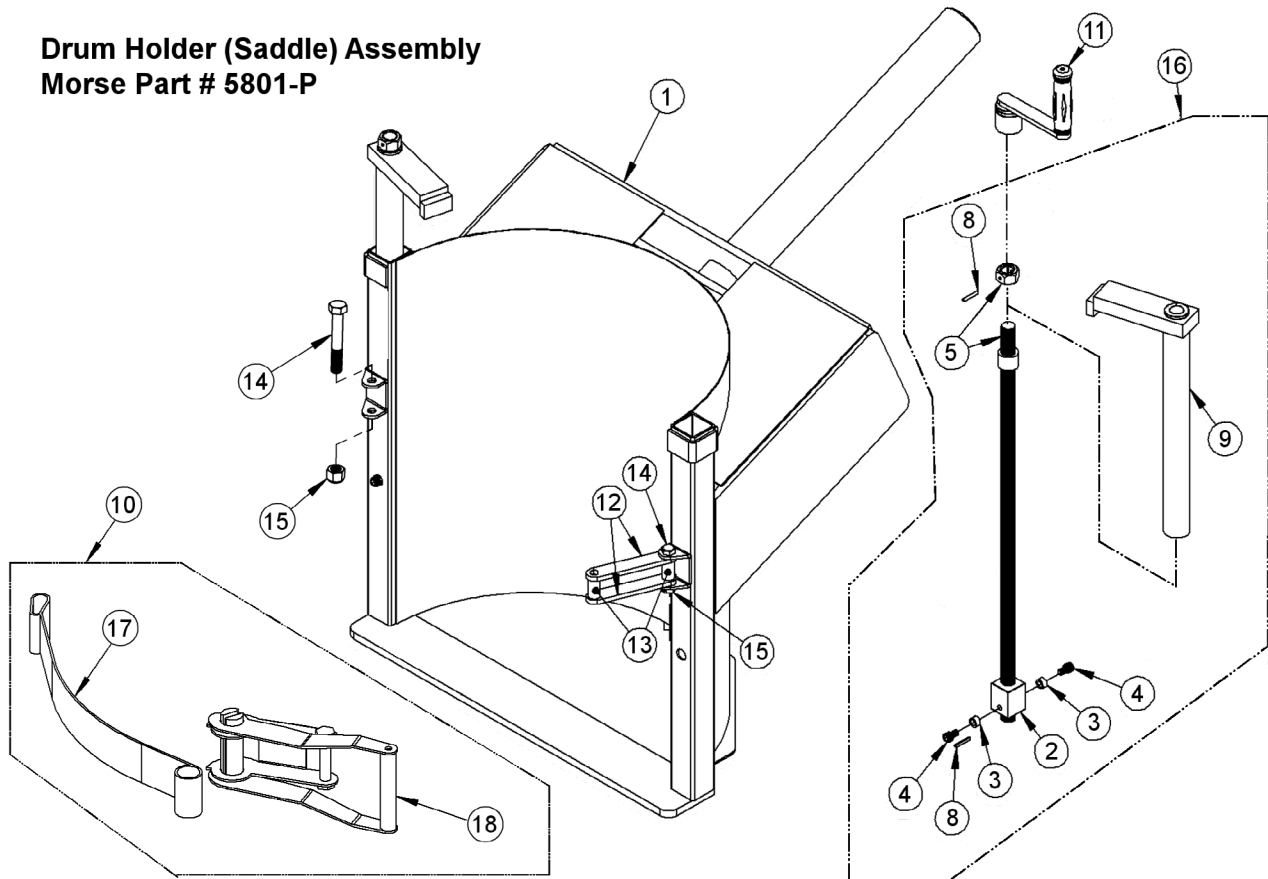
Tilt Assembly



ITEM NO.	PART NUMBER	DESCRIPTION	QTY.
1	2654-P	BEARING, 2-15/16" PILLOW BLOCK	3
2	55-P	WASHER, 3/4 SAE FL 1-1/2 OD	4
3	3318-P	HHCS, 3/4-10 X 3-1/2 GR5	4
4	3319-P	WASHER, 3/4 SPLIT LOCK	4
5	2452-P	NUT, FIN, 3/4-10 HEX	4
6	3114-P	MOTOR, HYDRAULIC HYD, 310	1
7	1474-P	WASHER, 3/8 SPLIT LOCK	4
8	1657-P	HHCS, 3/8-16 X 3/4 GR2	4
9	3128-P	BUSHING, 1" TAPER LOCK, 310	1
10	3127-P	SPROCKET, #40D, 20T, TAPER 310	1
11	3117-P	SPROCKET, #40D, 60T, 310	1
12	3124-P	HUB, 2-15/16" KEYLESS, 310	1
13	3132-P	CHAIN, ROLLER, #40D 115 PITCH	1
14	5472-P	BRACKET, PROX, BEARING 311	1
15	5502-P	311 SENSOR	1
16	5543-P	COLLAR, SENSOR ASM, 2-15/16	1
17	5382-P	CHAIN COVER PIECE, LC309	2
18	5463-P	BRACKET, ANGLE 310 GUARD	1
19	193-P	SCREW, TEK, 12-14 X 3/4 3 PT	8
20	1714-P	HHCS, 1/4-20 X 3/4 GR2	1
21	1882-P	WASHER, 1/4 SPLIT LOCK	1
22	1297-P	NUT, 1/4-20 REV HEX LOCK	1

Operator's Manual for Morse 311 Series Automated Tilt-To-Load Drum Rotators
Serial Number 309425 to 315600

Drum Holder (Saddle) Assembly
Morse Part # 5801-P



ITEM NO.	PART NUMBER	DESCRIPTION	QTY.
1	5802-P	SADDLE WELD, 309, 310, 311	1
2	3269-P	CLAMP NUT BLOCK, 310	2
3	3271-P	CLAMP NUT BLOCK SPACER, 310	4
4	22-P	SHCS, 3/8-24 X 5/8	4
5	3272-P	CLAMP SCREW WELD, 310	2
8	64-P	ROLL PIN, 3/16 X 1-1/4	4
9	4553-P	CLAMP PIPE W/ BEARING WELD 310	2
10*	4449-P	STRAP ASM W/ RATCHET	1
11	3145-P	HAND CRANK, W/ SOCKET, 310	1
12	5790-P	LINK, CONNECTOR, RATCHET	2
13	5792-P	SPACER, CONNECTOR, RATCHET	2
14	6272-P	HHCS, 1/2-13 X 3-1/4"	2
15	6266-P	NUT, 1/2-13 NYLON LOCK	2
16	4553F-P	CLAMP WELD / SCREW ASM 310	1
17	5497-P	WEB STRAP, POLYESTER, 4449-P	1
18	5498-P	RATCHET ONLY, WEB STRAP 4449-P	1

* Recommended spare parts

Op Ser B400 INSTALLATION AND REMOVAL INSTRUCTIONS FOR B-LOC® KEYLESS BUSHING SERIES B400

B-LOC® Keyless Bushings provide a high capacity, zero-backlash shaft/hub or coupling connection by means of a mechanical interference fit. Please follow these **INSTALLATION AND REMOVAL INSTRUCTIONS** carefully to ensure proper performance of this **B-LOC®** unit.

ⓘ WARNING ⓘ

When installing or removing **B-LOC®** products, always adhere to the following safety standards:

1. Be sure that the system is de-energized using proper lockout/tagout procedures.
2. Wear proper personal protective equipment.

INSTALLATION

(Refer to Figure 1)

B-LOC® Keyless Bushings are supplied lightly oiled and ready for installation. The frictional torque capacity of these devices is based on a coefficient of friction of 0.12 for lightly oiled screw, taper, shaft and bore contact areas.

Therefore, it is important **not** to use Molybdenum Disulfide (e.g., Molykote, Never-Seeze or similar lubricants) in any Keyless Bushing installation.

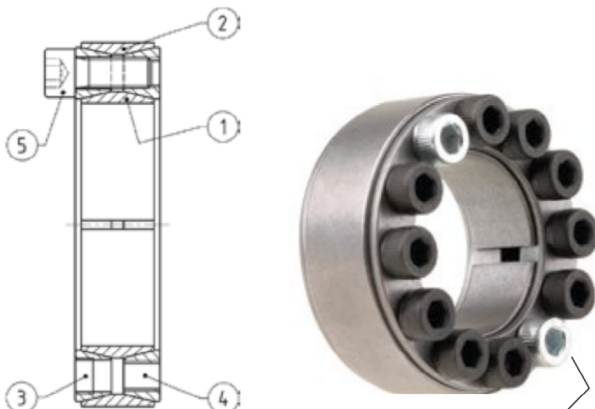


Figure 1

1. Make sure that locking screw, taper, shaft and bore contact areas are clean and lightly oiled with a light machine oil.
2. Insert Keyless Bushing into hub counterbore prior to shaft installation.
3. After confirming correct hub position, hand-tighten three (3) or four (4) equally spaced locking screws until initial contact with shaft and hub bore is established.
4. Use torque wrench and set it approximately 5% higher than specified tightening torque (M_a). Tighten locking screws in either a clockwise or counterclockwise sequence (it is not necessary to tighten in a diametrically opposite pattern), using only 1/4 (i.e., 90°) turns for several passes until 1/4 turns can no longer be achieved.
5. Continue to apply overtorque for 1 to 2 more passes. This is required to compensate for a system-related relaxation of locking screws since tightening of a given screw will always relax adjacent screws. Without overtorquing, an infinite number of passes would be needed to reach specified tightening torque.
6. Reset torque wrench to specified torque (M_a) and check all locking screws. No screw should turn at this point, otherwise repeat Steps 5 and 6.

NOTE: 1. It is not necessary to re-check tightening torque after equipment has been in operation.

2. In applications subject to extreme corrosion, the slits in all collars can be sealed with a suitable caulking compound or equivalent.

INSTALLATION OF B-LOC® KEYLESS BUSHING OVER SHAFT KEYWAYS

The Keyless Bushing should be positioned so that slits in Keyless Bushing collars that contact the shaft are located approximately opposite the keyway. In addition, a locking screw should be centered directly over the keyway.

When tightening locking screws, it is important to follow the installation procedure outlined above, which specifies equal 1/4 turns of each locking screw. Failure to follow these instructions could result in excessive tightening of the screw over the keyway, possibly causing permanent deformation of the Keyless Bushing collars.

REMOVAL

(Refer to Figure 2)

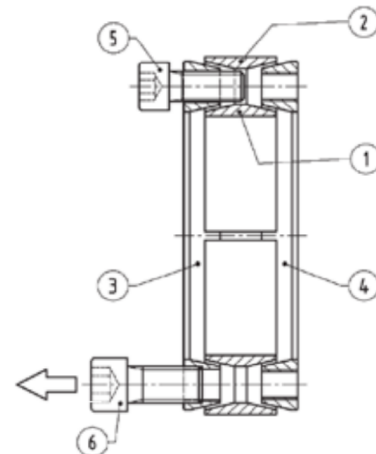


Figure 2

Prior to initiating the following removal procedure, check to ensure that no torque or thrust loads are acting on the Keyless Bushing, shaft or any mounted components.

1. Loosen locking screws in several stages by **using approx. 1/4 turns**, following either a clockwise or counterclockwise sequence.

NOTE: **B-LOC®** Series B400 Keyless Bushings feature self-releasing tapers, meaning collars should release during Step 1. However, if for some reason the thrust collars jam, a light tap on three (3) equally spaced heads of loosened locking screws will positively release the connection.

2. Hub and Keyless Bushing are normally removed together. Removal of Keyless Bushing only from deep counterbores is accomplished by inserting pull-off screws (not provided) into threads located under plated locking screws. These threads are **NOT** to be used for high pulling forces, as thrust collar is only partially threaded.

LOCKING SCREW SIZES AND SPECIFIED TIGHTENING TORQUE M_a B400 KEYLESS BUSHINGS

Metric Series	Inch Series	Tightening Torque M_a (ft lb)	Screw Size	Hex Key Size (mm)	Pull-off Thread dB
20 x 47 to 40 x 65	3/4 to 1-1/2	11	M6	5	M8
42 x 75 to 65 x 95	1-5/8 to 2-9/16	26	M8	6	M10
70 x 110 to 95 x 135	2-5/8 to 3-3/4	51	M10	8	M12
100 x 145 to 160 x 210	3-7/8 to 6	91	M12	10	M14
170 x 225 to 200 x 260	6-7/16 to 8	138	M14	12	M16
220 x 285 to 260 x 325		214	M16	14	M20
280 x 355 to 300 x 375		293	M18	14	M22
320 x 405 to 340 x 425		420	M20	17	M24
360 x 455 to 420 x 515		565	M22	17	M27
440 x 545 to 1000 x 1110		725	M24	19	M30

dB = pull-off thread, located only under cadmium plated screws of front thrust collar