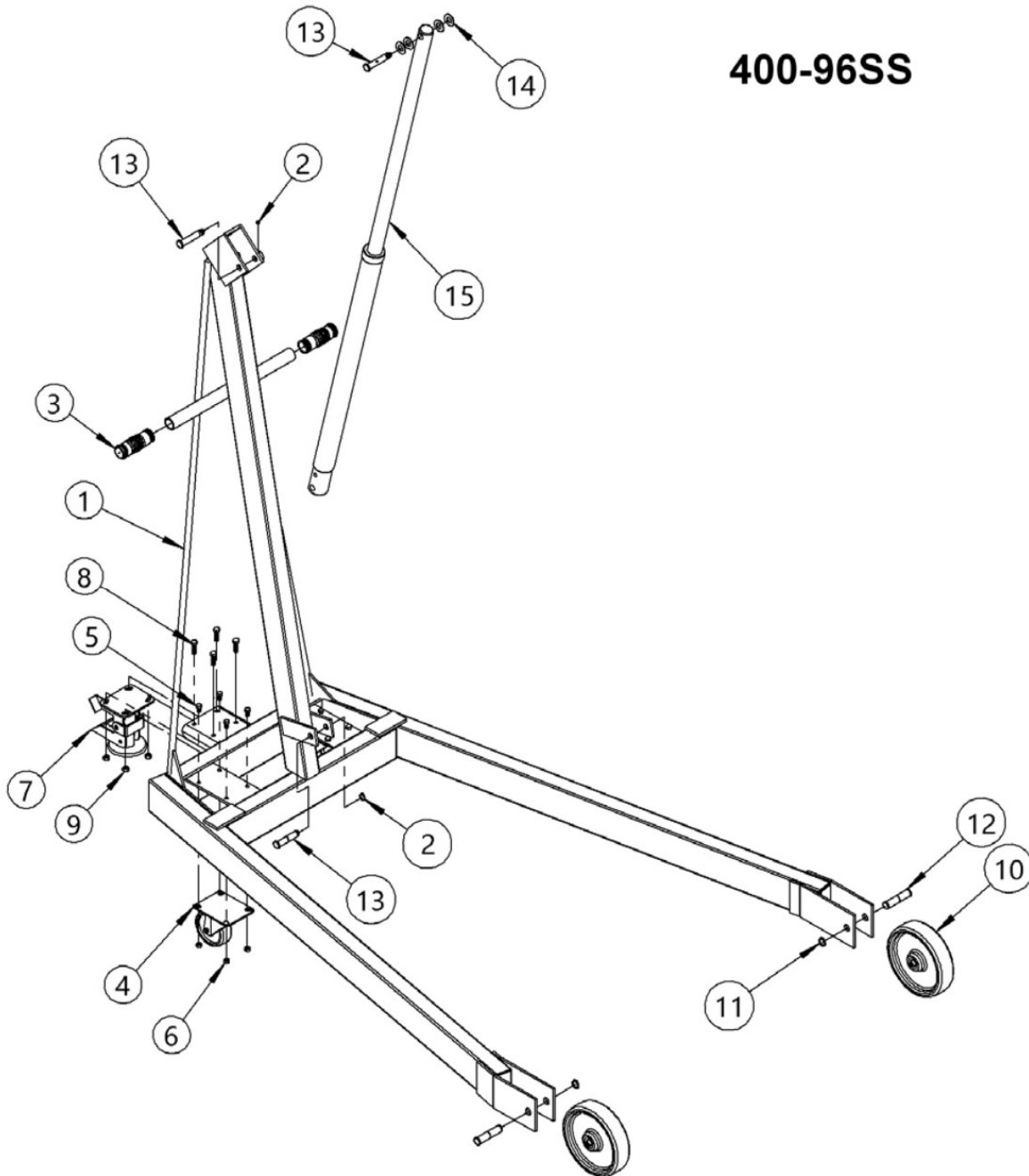


Assembly 400-96SS

Stainless Steel Base Assembly

SN 0820 to Current (MMYY) or 400000 to Current



400-96SS

ITEM	QTY.	PART NUMBER	DESCRIPTION
1	1	6099SS-P	TOWER ASM, SS, 400A-96SS
2	2	1005-P	SET SCREW, 5/16-18 X 3/8 KNURL
3	2	83-P	GRIP, HANDLE, 1-1/4 X 4-1/2
4	2	3308SS-P	CASTER, 4" SWIVEL, SS

Assembly 400-96SS

Stainless Steel Base Assembly

SN 0820 to Current (MMYY) or 400000 to Current

5	8	215SS-P	HHCS, 5/16-18 X 5/8, SS
6	8	3920SS-P	NUT, 5/16-18 NYLON LOCK, SS
7	1	2386-P	FLOOR LOCK, STEP DOWN 5-3/4"
8	4	535SS-P	HHCS, 3/8-16 X 1-1/4, SS
9	4	3981SS-P	NUT, 3/8-16 NYLON LOCK, SS
10	2	87-P	WHEEL, MORTUF, 8", 3/4" BRG
11	2	5330SS-P	SNAP RING, EXT, 3/4", SS
12	2	5329SS-P	PIN, GROOVE, 3/4 X 3.10 C SS
13	3	6061SS-P	PIN, CLEVIS, 400SS, GREASE FIT
14	4	17SS-P	WASHER, 5/8 SAE 1-5/16 OD, SS
15	1	3006-P	CYLINDER, 1.5 X 29 1X VERT, 96