

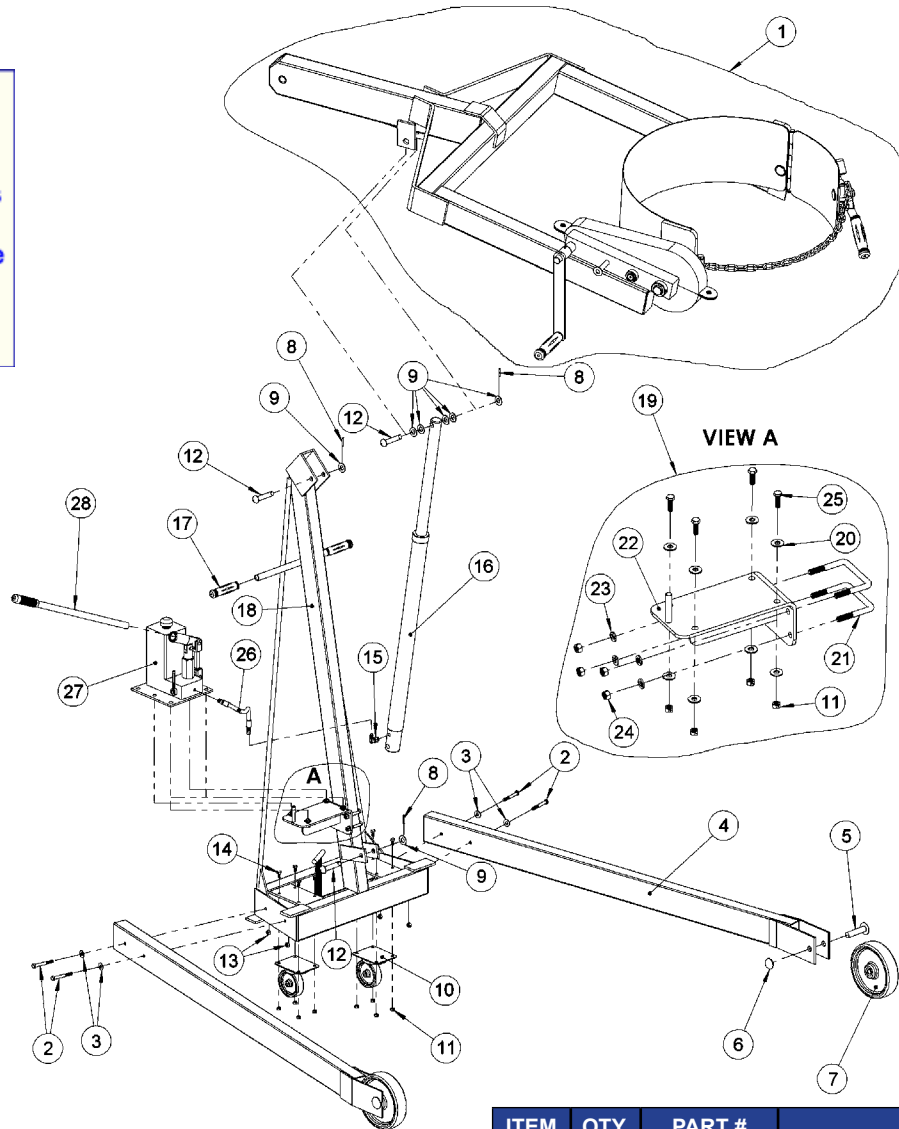
Morse Hydra-Lift Karrier Model 400AM-60
with Serial Number 1210 to 1211 (MMYY)



IMPORTANT NOTE

4-Digit serial numbers are simply the month & year of manufacture

Example: 0802 is August 2002



ITEM	QTY.	PART #	DESCRIPTION
1	1	4519M-60-P	OVERHEAD ASM, MOR, 400AM-60, SR
2	4	1521-P	HHCS, 3/8-16 X 3 GR5
3	4	1166-P	WASHER, 3/8 USS 1" OD
4	2	134-P	LEG WELD, 400AM-60, 60
5	2	704-P	AXLE, 3/4", USE WITH PUSH-ON
6 *	2	705-P	CAP, HUB, PUSH-ON, 3/4"
7 *	2	87-P	WHEEL, MORTUF, 8", 3/4" BRG
8	3	64-P	ROLL PIN, 3/16 X 1-1/4
9	7	17-P	WASHER, 5/8 SAE FL 1-5/16 OD
10 *	2	3308-P	CASTER, 4" SWIVEL, DBL RACE
11	12	491-P	NUT, 5/16-18 REV HEX LOCK
12	3	138-P	CLEVIS PIN 5/8 X 3"
13	4	1169-P	NUT, 3/8-16 REV HEX LOCK
14	8	215-P	HHCS, 5/16-18 X 5/8 GR2

ITEM	QTY.	PART #	DESCRIPTION
15	1	3610-P	HYD FIT, MALE ELBOW, SAE
16	1	781-P	CYLINDER, 1.5 X 22.625", SAE
17	2	136-P	GRIP, HANDLE 7/8" X 4-3/4"
18	1	135-P	ASM, TOWER, 400AM-60, 72
19	1	3679-P	KIT, PUMP MOUNT PLATE, ML MT
20	8	1570-P	WASHER, 5/16 USS 7/8 OD
21	2	3641-P	U-BOLT, 3/8-16, 400 PUMP MOUNT
22	1	3642W-P	MOUNT PLATE WELD, MANUAL PUMP
23	4	1474-P	WASHER, 3/8 SPLIT LOCK
24	4	149-P	NUT, 3/8-16 FIN HEX
25	4	35-P	HHCS, 5/16-18 X 1 GR2
26	1	766-P	HYD HOSE ASM, 12"
27	1	96MK1939-P	PUMP, HYD, HAND STAR
28	1	96CP13-23	HANDLE, LEVER W/ GRIP, STAR

* Recommended spare parts