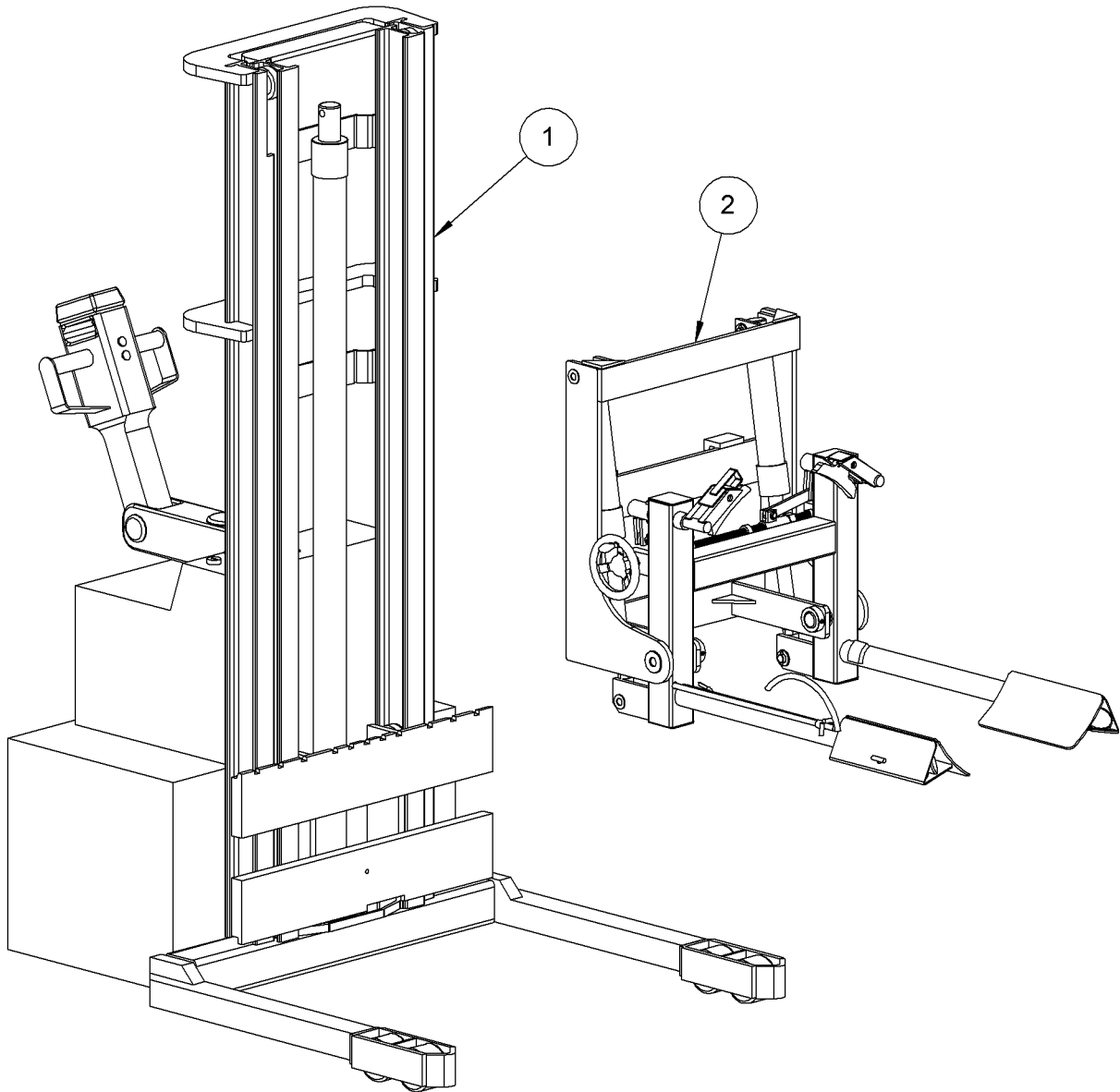


Parts List and Diagram

for Morse Part # 5272-P Yoke Assembly
 used on Model # 910 < PILOT > Power-Propelled Drum Racker
 with Serial number 267142 to 271184



| ITEM NO. | PART NUMBER | DESCRIPTION | QTY. |
|----------|-------------|-------------------------------|------|
| 1 | 5239-P | BASE UNIT, PDM STRADDLE TRUCK | 1 |
| 2 | 5272-P | YOKE ASM, MORSTAK, ITA2 | 1 |

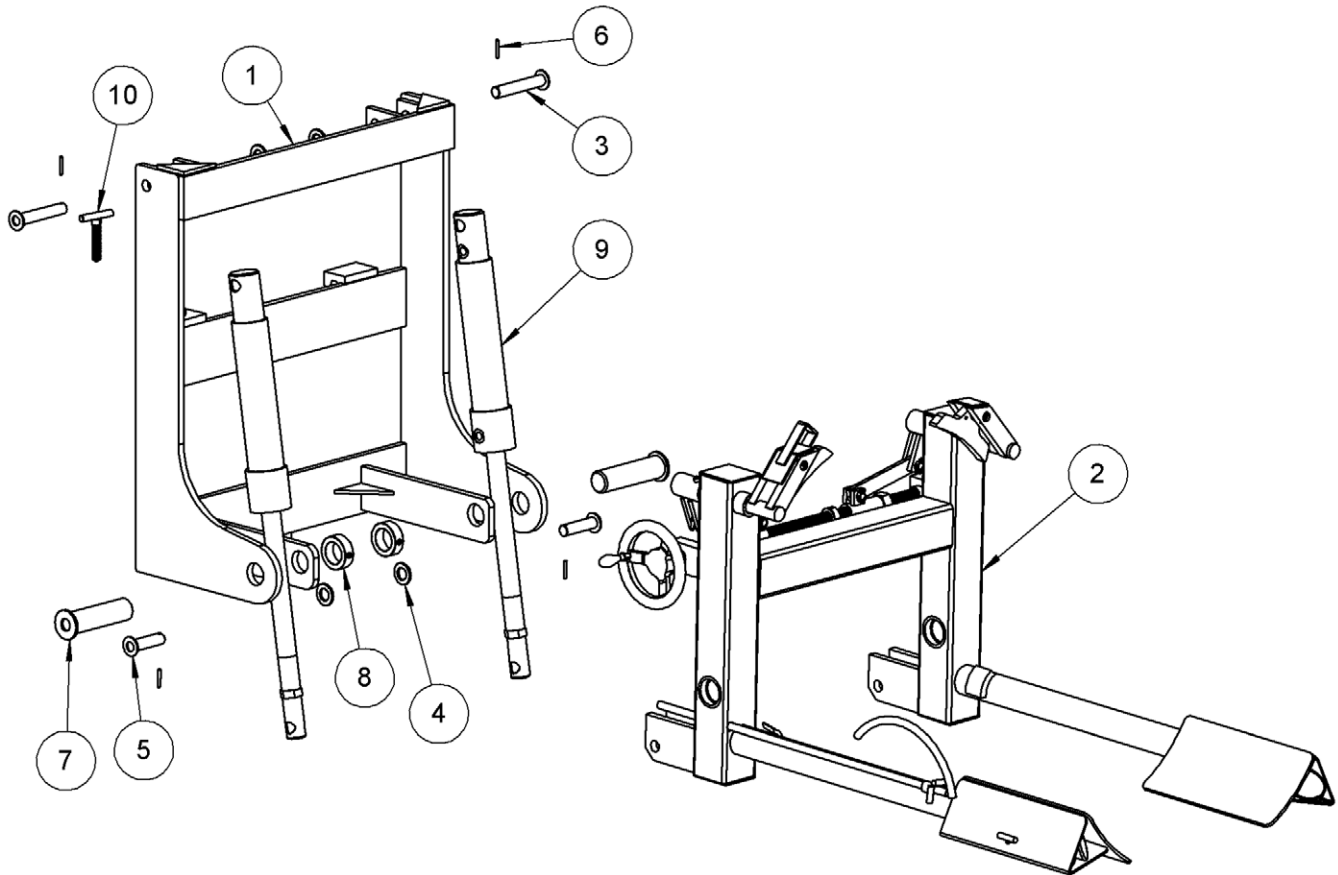
Parts List and Diagram

for Morse Part # 5272-P Yoke Assembly

used on Model # 910 < PILOT > Power-Propelled Drum Racker

with Serial number 267142 to 271184

5272-P YOKE ASM, MORSTAK, ITA2



| ITEM NO. | PART NUMBER | DESCRIPTION | QTY. |
|----------|-------------|--------------------------------|------|
| 1 | 5273-P | YOKE WELD, MORSTAK, ITA2 | 1 |
| 2 | 3955-P | DRUM GRAB ASM, MORSTAK, 600 | 1 |
| 3 | 2587D-P | CLEVIS PIN, TILT CYL DEAD 600 | 2 |
| 4 | 55-P | WASHER, 3/4 SAE FL 1-1/2 OD | 4 |
| 5 | 2587L-P | CLEVIS PIN, TILT CYL LIVE 600 | 2 |
| 6 | 64-P | ROLL PIN, 3/16 X 1-1/4 | 4 |
| 7 | 3048-P | PIN, DRUM GRAB, MORSTAK 600 | 2 |
| 8 | 570-P | COLLAR, 1-1/2" ID | 2 |
| 9 | 5522-P | CYLINDER, 2 X 10, SAE ADJ CLEV | 2 |
| 10 | 58-P | SET SCREW, LOCK TEE, 285 | 1 |