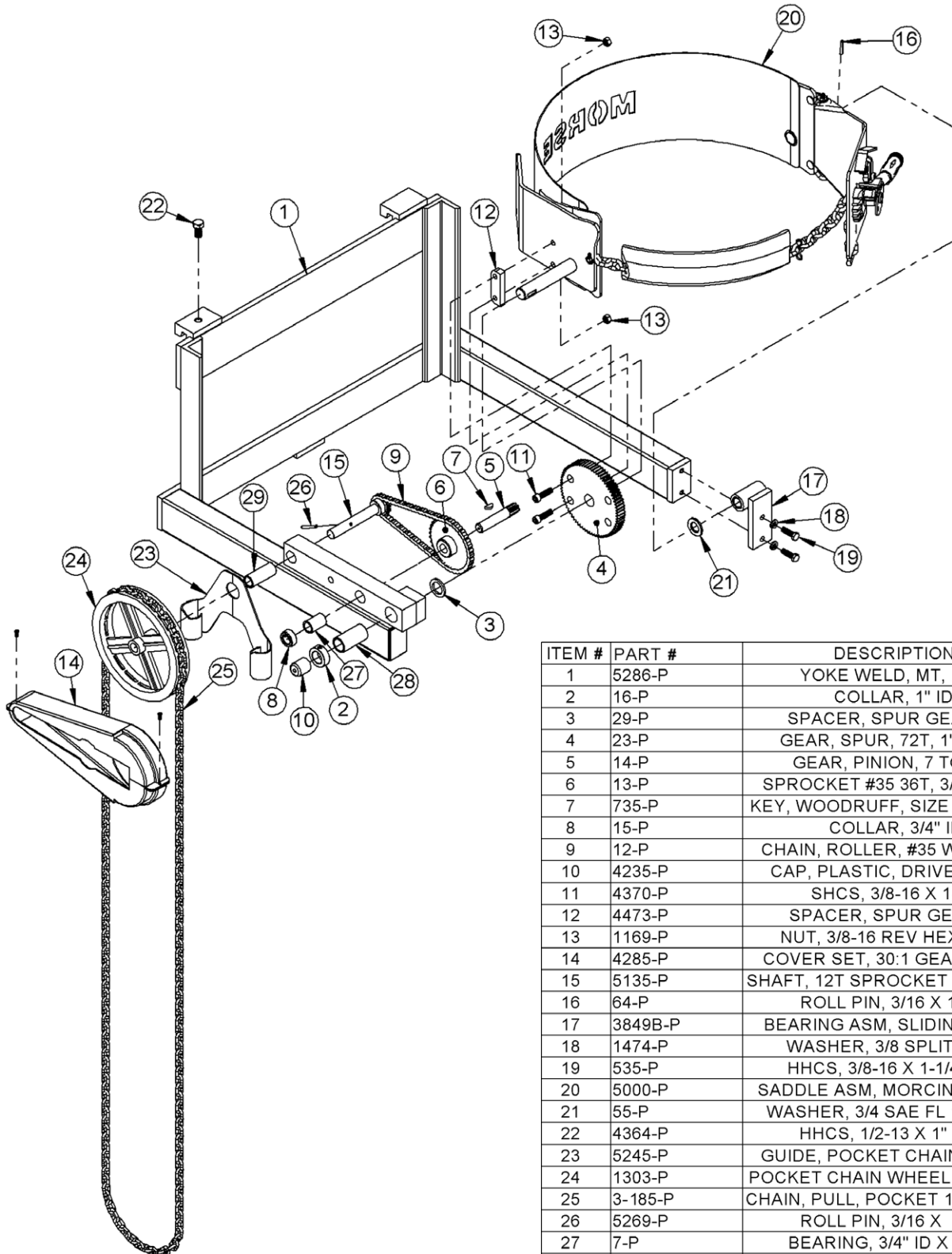


Parts Diagram for Morse Part # 5283-P Yoke Assembly

Used on Morse 520 Series Vertical-Lift Drum Pourers with manual drum tilt



ITEM #	PART #	DESCRIPTION	QTY.
1	5286-P	YOKE WELD, MT, ITA2	1
2	16-P	COLLAR, 1" ID	1
3	29-P	SPACER, SPUR GEAR .15"	1
4	23-P	GEAR, SPUR, 72T, 1" HOLE	1
5	14-P	GEAR, PINION, 7 TOOTH	1
6	13-P	SPROCKET #35 36T, 3/4" BORE	1
7	735-P	KEY, WOODRUFF, SIZE 9, ASA606	1
8	15-P	COLLAR, 3/4" ID	1
9	12-P	CHAIN, ROLLER, #35 W/ M LINK	1
10	4235-P	CAP, PLASTIC, DRIVE SHAFT	1
11	4370-P	SHCS, 3/8-16 X 1-3/8	2
12	4473-P	SPACER, SPUR GEAR, U	1
13	1169-P	NUT, 3/8-16 REV HEX LOCK	2
14	4285-P	COVER SET, 30:1 GEARS, REG	1
15	5135-P	SHAFT, 12T SPROCKET & SPACER	1
16	64-P	ROLL PIN, 3/16 X 1-1/4	1
17	3849B-P	BEARING ASM, SLIDING IDLER	1
18	1474-P	WASHER, 3/8 SPLIT LOCK	2
19	535-P	HHCS, 3/8-16 X 1-1/4 GR5	2
20	5000-P	SADDLE ASM, MORCINCH, MOR	1
21	55-P	WASHER, 3/4 SAE FL 1-1/2 OD	1
22	4364-P	HHCS, 1/2-13 X 1" GR2	1
23	5245-P	GUIDE, POCKET CHAIN WHEEL	1
24	1303-P	POCKET CHAIN WHEEL, 3/4 BORE	1
25	3-185-P	CHAIN, PULL, POCKET 12' LENGTH	1
26	5269-P	ROLL PIN, 3/16 X -3/4	1
27	7-P	BEARING, 3/4" ID X 1-1/2"	1
28	18-P	BEARING, 1" ID X 2-1/2"	1
29	19-P	BEARING, 3/4" ID X 2-1/2"B2	1