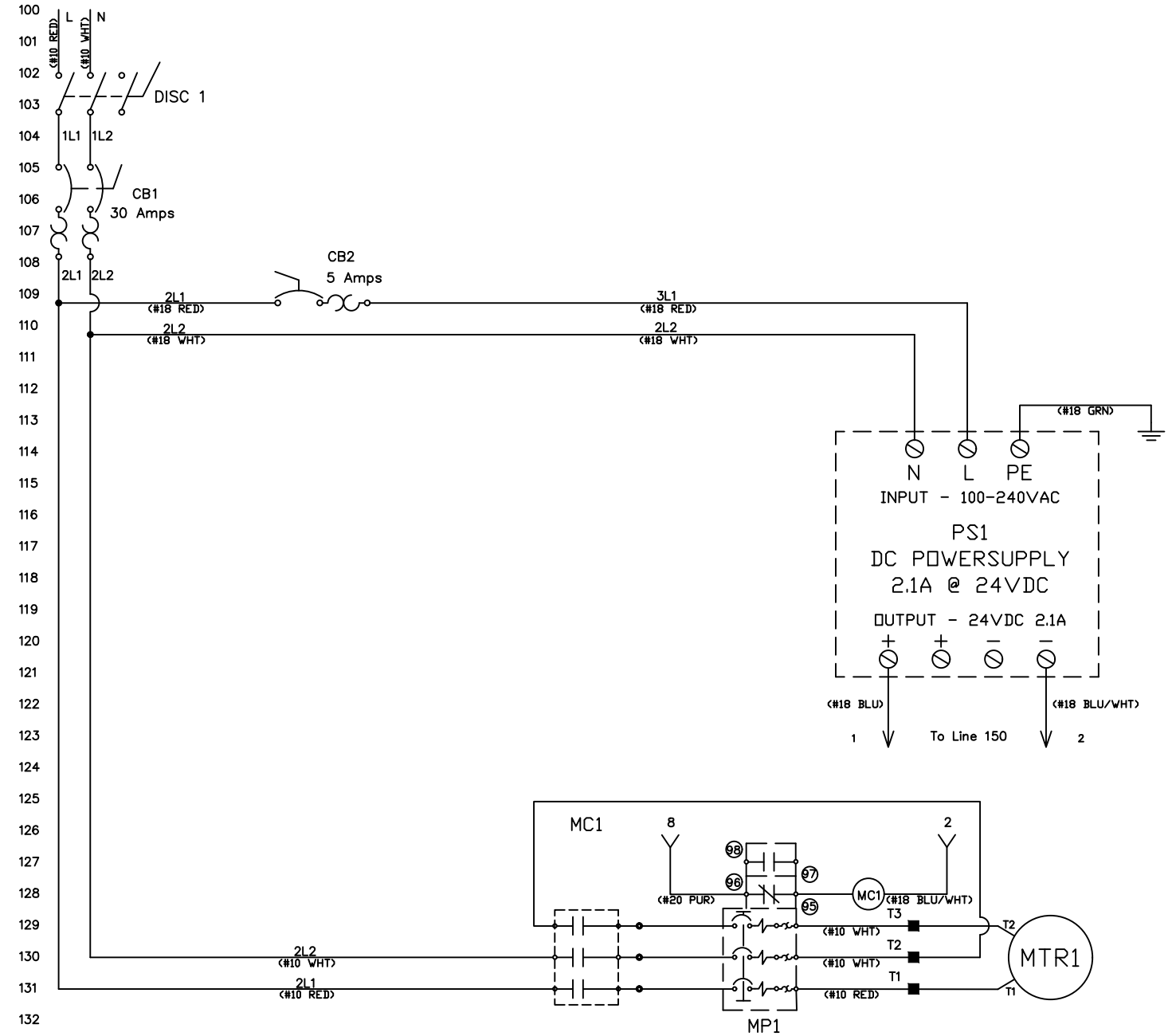
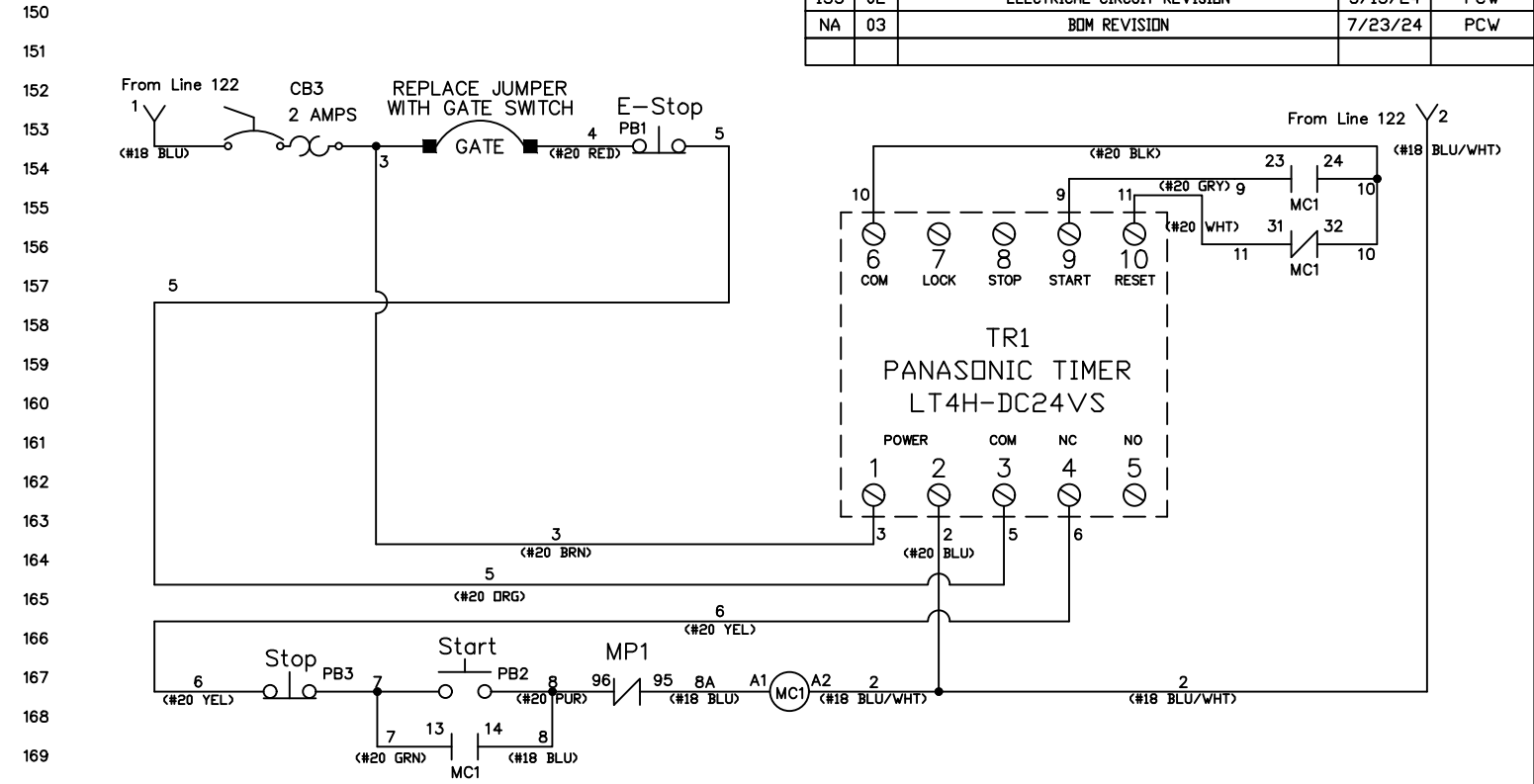


MAINS POWER  
115 VAC 1 Phase  
30 AMP

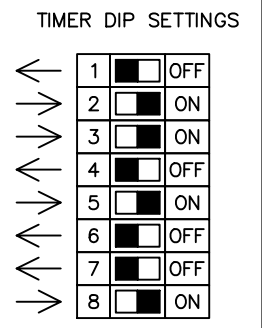


REVISIONS		DESCRIPTION	DATE	APPROVED
NA	01	ELECTRICAL CIRCUIT & BOM REVISION	7/20/22	PCW
153	02	ELECTRICAL CIRCUIT REVISION	3/13/24	PCW
NA	03	BOM REVISION	7/23/24	PCW



*MANUFACTURER	*PART NUMBER	DESCRIPTION	QUANTITY
Iboco	T1-0510G	WIRE DUCT	1
Iboco	OMEGA 3FAL1	DIN Rail	1
Eurobex (EXM)	5412 ESCH141208	Enclosure, NEMA 4-12, 14" x 12" x 8"	1
McMaster-Carr	5891T111	Electrical Hazard Warning Label	2
Mencom	PCG-1/2X	Cable Gland	1
Mencom	PCG-1/2E	Cable Gland	2
Mencom	212PA	Nut	3
Panasonic	LT4H-DC24VS	LT4H Digital Timer, 24VDC, Relay Output	1
Emerson-Sola	SVL 2-24-100	Power Supply, Input 100-240VAC, Output 24VDC @2.1A	1
Sprecher+Schuh	CA7-23E-10-24E	Contactors	1
Sprecher+Schuh	CA7-PV-S11	Auxiliary Contact Block, 1NO/1NC	1
Sprecher+Schuh	CT7N-23-C25	Overload Relay 21 to 25A	1
Sprecher+Schuh	D7-15YSE112	E-Stop Inscription Ring	1
Sprecher+Schuh	L9-30/2/D	Circuit Breaker, 30Amp, D-Curve	1
Sprecher+Schuh	L8-5/1/B	Circuit Breaker, 5 Amp, B-Curve	1
Sprecher+Schuh	L8-2/1/B	Circuit Breaker, 2 Amp, B-Curve	1
Sprecher+Schuh	V7-WG6	Ground Terminal	1
Sprecher+Schuh	V7-W6	Terminal	4
Sprecher+Schuh	V7-W4	Terminal	2
Sprecher+Schuh	V7-EA35	End Anchor	9
Sprecher+Schuh	V7-EB3	End Barrier	1
Sprecher+Schuh	V7-PP3	Partition	1
Sprecher+Schuh	V7-SM6X12	Marker Card	1
WEG	MSW 40 B-3 H	Base Mounted 3 Pole Switch w/Handle & Shaft	1
WEG	CSW-BSS-WH	Pushbutton, Extended Black	1
WEG	CSW-BF2-WH	Pushbutton, Flush Green	1
WEG	CSW-BESG-WH	E-Stop Operator, Twist-To-Release, 42mm	1
WEG	AF3F	Mounting Flange	3
WEG	BCM01F-CSW	Contact Block, NC, Self-Monitoring	1
WEG	BC01F-CSW	Contact Block, NC	1
WEG	BC10F-CSW	Contact Block, NO	1

\*FUNCTIONALLY EQUIVALENT COMPONENTS MAY BE SUBSTITUTED



DRAWN BY	PCW
CHKD BY	PCW
DATE DRAWN	03/30/22
DATE CHKD	07/23/24



103 Kuhn Rd, Syracuse, NY 13208  
PHONE 315-564-4347 FAX 315-437-1029

THIS MATERIAL IS THE EXCLUSIVE PROPERTY OF MORSE MANUFACTURING COMPANY INC. AND MUST BE RETURNED TO MORSE IMMEDIATELY UPON REQUEST. THIS MATERIAL AND INFORMATION ILLUSTRATED OR CONTAINED HEREIN MAY NOT BE REPRODUCED, COPIED, USED, OR TRANSMITTED IN ANY MANNER OR BY ANY MEANS WITHOUT THE PRIOR WRITTEN CONSENT OF MORSE MANUFACTURING COMPANY INC.

TITLE	MORSE 5948-P (ELECTRICAL)	DWG NO.	AAC1033022B	SHEET	1 of 1	REV	03
-------	---------------------------	---------	-------------	-------	--------	-----	----