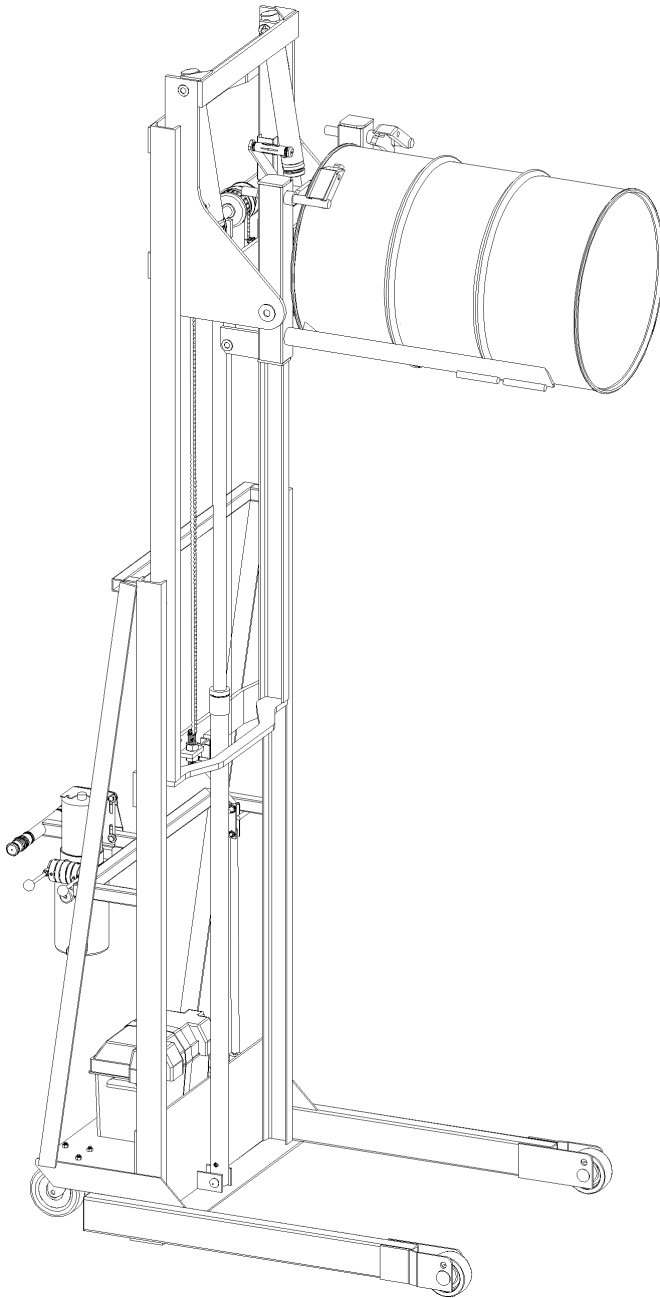


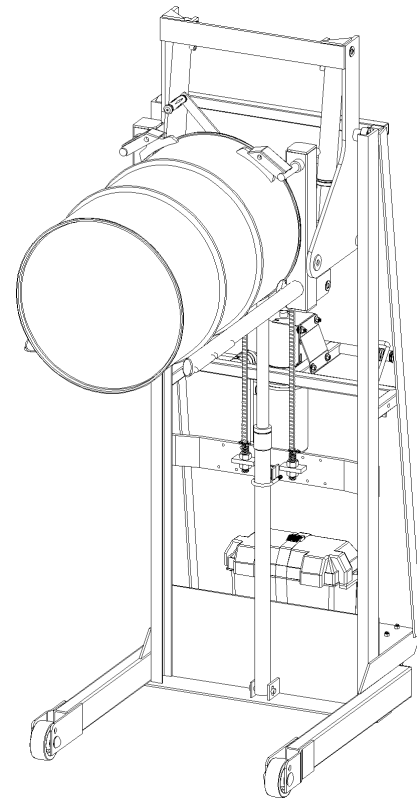
OPERATOR'S MANUAL FOR MORStak DRUM RACKERS

- 611 Series: Single-Stage Mast, racks to 58"
- 620 Series: Two-Stage Mast, racks to 102"

Serial # 181180 - 211427



Model 620-115



Model 611-115

OPERATOR'S MANUAL FOR MORSE MORStak Drum Rackers
Serial # 181180 - 211427

1. Safety Information

While Morse Manufacturing Co. drum handling equipment is engineered for safety and efficiency, a high degree of responsibility must be placed upon the machine operator to follow safe practices, based primarily on common sense, upon which true safety depends.

Failure to follow the safety precautions in this manual can result in personal injury or property damage. Observe the same precautions as with similar machinery where carelessness in operating or maintenance is hazardous to personnel. Carefully read the safety precautions below and throughout this manual.



DANGER - Indicates a situation which, if not avoided, will result in serious injury or death. This signal word is limited to the most extreme situations.



WARNING - Indicates a situation which, if not avoided, could result in serious injury or death.



CAUTION - Indicates a situation which, if not avoided, can result in damage to the machine.



CAUTION – Do Not Transport with Drum Raised
ALWAYS LOWER THE DRUM HOLDER / MAST TO LOWEST POSITION BEFORE TRANSPORTING. The unit can become unstable when transporting with a raised load.



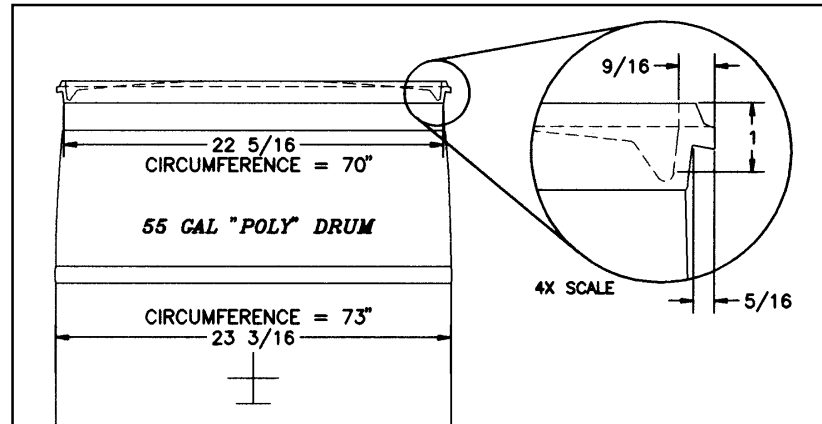
DANGER - Stay Clear of Power Lines
KEEP WELL CLEAR OF POWER LINES. Never approach a power line. Current in a high voltage line may arc some distance from the wire to the steel framed, grounded machine.



WARNING
The MORStak is designed to handle one 55 gallon steel or plastic drum with a suitable top lifting rim, only. (see Figure 1.1) For drums with a removable top, the top must be securely fastened. DO NOT attempt to handle any other type of drum or object. DO NOT exceed the weight capacity of 800lbs.

A typical top rim that is suitable for handling with the MORStak. (Plastic drum shown)

FIGURE 1.1



WARNING - Level Floors Only

For operation only on clean, level floors of suitable bearing capacity. Do not use on sloped surfaces, ramps, irregular or debris strewn floors.



WARNING - Rack Drums in Racks w/ Cradles

Use only with suitable, commercially made racks with drum cradles intended by their manufacturer for use with the type, weight and quantity of drums to be used. Racks and drum cradles must be properly designed, installed and maintained.



WARNING - Do Not Modify the Unit

Under no circumstances should any modifications be made to the Morse MORStak machinery without factory authorization. Any modifications may void the warranty. This machine was designed to perform a specific job and alterations may result in injury to operator or machine.



WARNING - No Loose Fitting Clothing

Wear close-fitting clothing and safety equipment appropriate to the job. Loose fitting clothing may become caught on the machinery and cause severe personal injury.



WARNING - Hydraulic Fluid Under Pressure Can Be Hazardous

Escaping hydraulic fluid under pressure can penetrate the skin, causing serious injury. Avoid the hazard by relieving pressure before disconnecting hydraulic lines. Keep hands and body away from pinholes and nozzles, which eject fluid under high pressure. Use a piece of cardboard to search for leaks. If an accident occurs, see a doctor immediately and inform them of the nature of the accident.



CAUTION - Wear Safety Shoes

Wear safety shoes with non-slip soles and hard toe protection.

2. Machine Description

General

The Morse MORStak is designed to lift and/or place a 55 gallon steel or plastic drum with a suitable top lifting rim, in the vertical or horizontal position. The maximum capacity is 800 lb. The two-stage MORStak (620 series) will pick or place horizontal drums closely spaced on a storage rack up to 102" high and set them upright on the ground. The single stage MORStak (611 series) can rack up to 58" high. The front legs require only 5" of clearance between the floor and the first beam on the rack.

Controls

The Morse MORStak is manually propelled and steered.

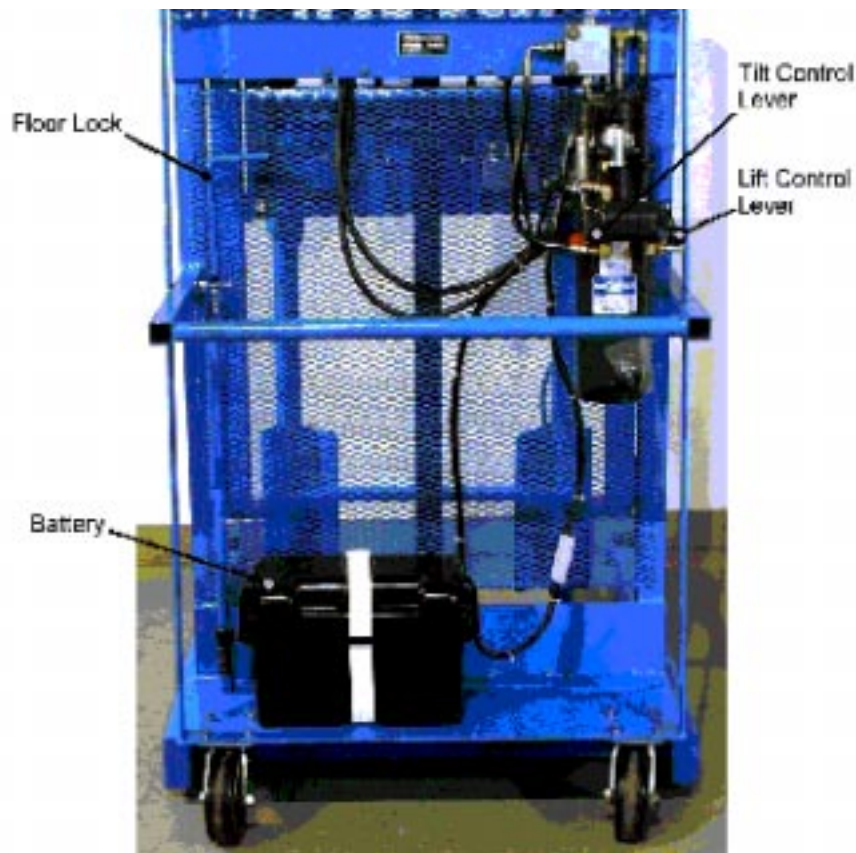
There are two powered functions for the operator to control:

- the "LIFT" function, or the vertical positioning of the drum holder
- the "TILT" function, or the degree of rotation of the drum holder.

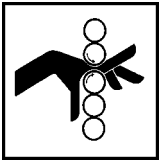
Each function is controlled separately by levers mounted above the push handle.

- The lever on the right side is the "LIFT" control valve. Raising this lever causes the drum holder to move up the mast. Pushing down on the lever will lower the drum holder.

The lever on the left side is the "TILT" control valve. Raising this lever causes the drum holder to tilt down to the vertical position. Pushing down on the lever will tilt the drum holder up to the horizontal position.



Model 620-115 shown



WARNING - Watch Out for Pinch Points

Stay clear of moving parts. Operator should remain behind the push handle during operation of the lift or tilt mechanisms.



WARNING - Tilt Drum Only When Arrow is Within Yellow Bar

The indicator panel shown in Figure 2.2 is located on the safety screen above the push handle. When the arrow is within the yellow bar, the bottom of the upright drum will be between 6" and 12" above the floor. The operator should make sure the drum holder and drum will not come in contact with the floor, rack or other obstruction during tilting of the drum or the drum could be dislodged, dropped or the MORStak could tip over.

Floor Lock

The floor lock handle is located on the left side of the push handle. Pulling the handle toward the operator until it locks in the down position activates the floor lock. When the floor lock is activated it prevents unwanted free wheeling of the unit. Floor conditions determine the effectiveness of the floor lock. The operator should verify its holding action before depending on it to hold.

Drum Holder Assembly

The drum holder assembly is the component on the MORStak that is intended to grab and hold the drum for moving, tilting, and racking. The drum holder assembly moves vertically along the mast and is designed to mechanically grab the drum by its top rim in the vertical position, and support it with two parallel drum-supporting bars in the horizontal position. A "bridge" between the grip pads at the inside end of the drum holder provides clearance for a typical drum faucet. The operator must see that the drum and faucet are properly oriented to enable the faucet to clear in the space provided by the "bridge" or the faucet may open or be broken and cause a spill.

3. Operation

TO LIFT AN UPRIGHT DRUM FROM THE FLOOR AND PLACE HORIZONTALLY IN A DRUM RACK:

1. Tilt the drum holder assembly down to the vertical position by pulling up on the "TILT" control lever, located on the left side of the hydraulic power pack. Move the grip pad clamp handle to the OPEN position.
2. Using the "LIFT" control valve, located on the right side, position the drum holder assembly with the top rim grip pads several inches above the drum (see Figure 3.1).
3. Push the MORStak toward the drum, until the two parallel drum-supporting bars are firmly resting against the side of the drum.
4. Lower the drum holder assembly until the bridge meets the top of the drum. In this position, the top rim grip pads should be an inch or two below the top drum rim.

5. Pull the grip pad clamp handle to close the grip pads tightly on the drum. Ensure that the chime catches on the two parallel drum-supporting bars are immediately under the top rim of the drum
6. Raise the "LIFT" control handle. The grip pads and chime catches will lift the drum. Continue to raise only until the drum is 6"-12" clear of the floor, or when the arrow indicator is within the yellow bar. This height must be sufficient to permit the drum to swing clear of the floor when tilting to horizontal. Visually inspect the drum holder assembly and position of the drum to verify proper engagement of the grip pads and chime catches.



WARNING - Stay Clear of Raised Drum
NEVER allow anyone to be below any part of a raised drum handler or drum. Remain behind the push handle while handling a drum.



WARNING – Do NOT Disengage the Grip Pad Clamp Handle When Vertical Drum is off the Ground
When the drum is in the vertical position, lower the drum to the floor before releasing the grip pad clamp handle.

7. After ensuring that the area in front of the MORStak is clear, tilt the drum to the horizontal position by pushing down on the "TILT" control valve. Do not raise the drum until you have reached the racking area. It can be unsafe to move the MORStak with a raised drum.

8. After the drum has been tilted to the horizontal position, open the grip pad clamp handle. This will allow the drum to be cradled by the two parallel drum-supporting bars and allow it to be racked horizontally.

Note: There are interlock switches built into the drum holder which are intended to prevent tilting when the drum is not properly positioned. If the grip pad clamp handle is open or the top drum rim is not properly positioned, the tilting function is disabled.

9. Push the unit to the drum storage area and raise or lower the drum to a height that is a couple inches higher than the shelf height. Push the unit into the storage position and carefully lower the drum onto the rack. The two parallel drum-supporting bars should be just below the walls of the drum but still above the rack. This will allow clearance to withdraw the MORStak and leave the drum in the storage position.

TO TAKE A HORIZONTAL DRUM FROM A RACK AND PLACE UPRIGHT ON THE FLOOR:

1. Tilt the drum holder assembly to the horizontal position and move the grip pad clamp handle to the open position. Raise the drum holder assembly to the approximate elevation of the drum to be taken down. Push the MORStak up to the drum and adjust the height of the drum grab, if necessary, to clear the drum walls and rack.
2. Roll the MORStak forward until the "bridge" meets the head of the drum. (see Figure 3.2).

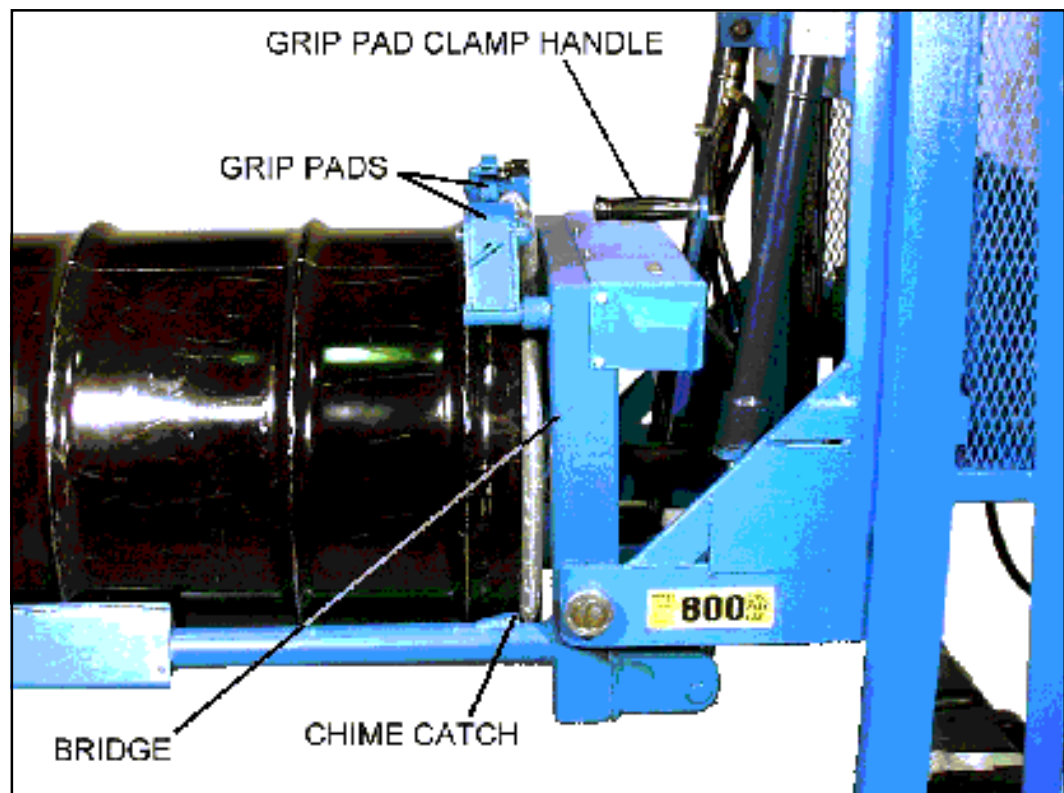


FIGURE 3.2



DANGER

IT IS CRITICAL THAT THE BRIDGE OF THE DRUM HOLDER ASSEMBLY IS FULLY PRESSED AGAINST THE TOP OF THE DRUM BEFORE LIFTING FROM THE HORIZONTAL position. IF THE TOP OF THE DRUM IS NOT SEATED AGAINST THE BRIDGE, THE RIM GRIP PADS MAY NOT PROPERLY ENGAGE AND THE drum CAN SLIDE off.

Note: There are interlock switches built into the drum holder which are intended to prevent tilting when the drum is not properly positioned. The true safety of this operation, however, depends on the operator correctly positioning the drum in the drum holder, and verifying proper engagement of the rim grip pads.

3. Raise the horizontal drum from the rack a few inches and back the MORStak away. Lower the horizontal drum to about 48" from the floor, or until the yellow arrow indicator is within the yellow bar. Clamp grip pad clamp handle to secure the drum into the drum holder.



WARNING - Tilt Drum When Arrow is Within Yellow Bar

DO NOT tilt the horizontal drum down if it is less than 48" to the floor. The drum and/or drum holder can interfere with the floor when tilting and cause the MORStak to become unstable and, possibly, fall over.

4. Carefully tilt the drum down to the vertical position. Lower the upright drum to the floor and when the weight of the drum is entirely on the floor, open the grip pad clamp handle. Raise the drum holder assembly about 12", until the rim grip pads are clearly above the top of the drum. Pull the MORStak back to clear the drum.

1. Maintenance

Periodic inspection for the general condition of structural and mechanical components is imperative for safe and efficient operation.

Periodically inspect all moving parts, framework, and contact areas for signs of wear, fatigue, or loosening. Tighten, adjust, or replace parts as necessary to prevent failure and maintain proper function.

Inspect the hydraulic system for oil drips, hose damage, or other signs of wear. Inspect the level and condition of the hydraulic fluid. (See hydraulic pump specification sheet.) Replace any parts that show signs of wear.

Lubricate all moving parts including wheels, casters, and clevis pins.

MORSE DRUM HANDLING EQUIPMENT is guaranteed against defects in workmanship or materials, when used properly within its rated capacity, for two years. Motors and other purchased parts carry the warranty of their manufacturers.

For Warranty claims, call or write for authorization to return the product prepaid, stating defect. (No return will be accepted without proper authorization.) In all instances, liability is limited to the purchase price paid and liability under the above stated warranty is limited to repairing or replacing any product which upon our examination is found to be defective.