

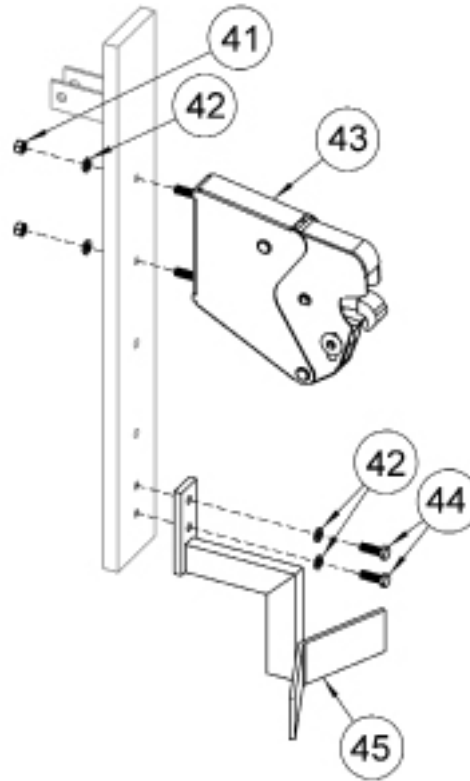
Parts Diagram for Drum Lift Assembly on 82H Drum Mover / Palletizers Serial Number 0509 to 0219 (MMYY)



IMPORTANT NOTE

4-Digit serial numbers
are simply the month
& year of manufacture

Example: 0802 is
August 2002



ITEM	QTY.	PART #	DESCRIPTION
41	2	91-P	NUT, 1/2-13 FIN HEX
42	4	1644-P	WASHER, 1/2 SPLIT LOCK
43	1	3360-P	LIGHT DUTY HEAD ASM, LDH 82H
44	2	2172-P	HHCS, 1/2-13 X 1-1/2 GR5
45	1	3363-P	BOTTOM DRUM SUPPORT, 82H