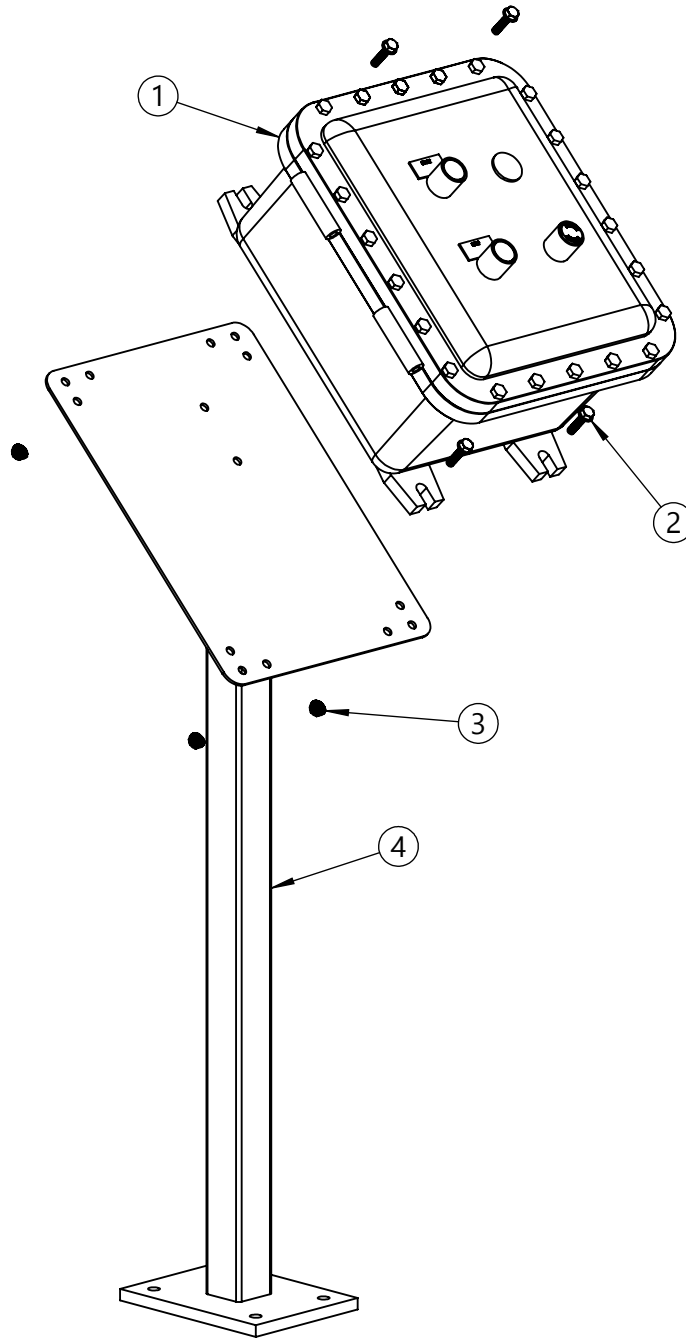


Model CP-310-E1-230

CONTROL PKG, 310, EXP 1PH/230V

Serial No. Range:



ITEM NO.	PART NUMBER	DESCRIPTION	QTY.
1	3815C-P	CONTROL BOX, EXP 1PH 220-240V	1
2	1635-P	BOLT, 5/16-18 X 1-1/4 WHIZ	4
3	1634-P	NUT, 5/16-18 WHIZ LOCK	4
4	5763-P	MAST WELD, 309, 310, 311, 456	1