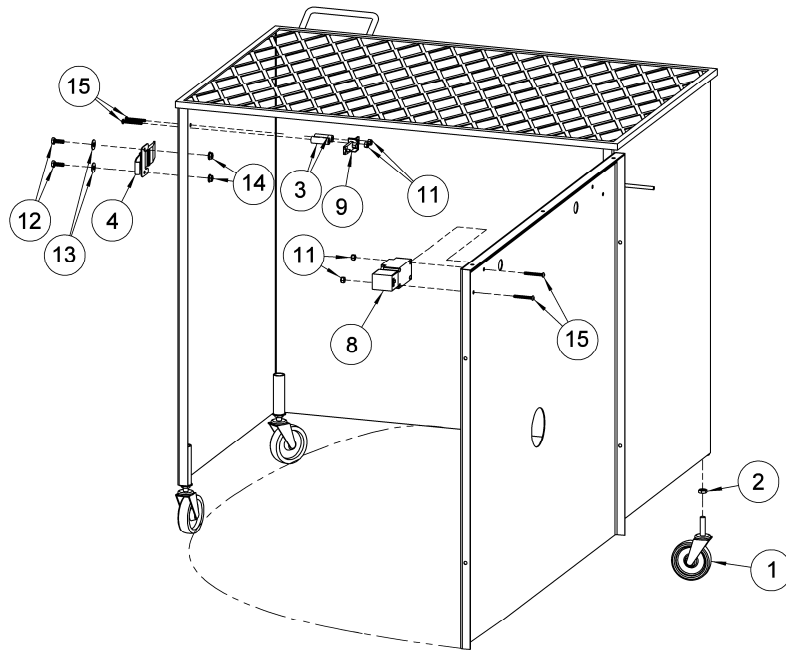


**Second enclosure not shown**



ITEM	QTY	PART	DESCRIPTION
1	6	3789-P	CASTER, 3" SWIVEL, STEM, 83
2	6	1165-P	NUT, 3/8-16 JAM
3	4	1295-P	HINGE TUBE 1/2" OD X 1-3/8"
4	2	4770-P	LATCH, SPRING HOOK, 305-CAGE
8	2	4822-P	SWITCH, AC SAFETY, 305 CAGE
9	2	4823-P	KEY, SAFETY SWITCH, 305 CAGE
11	8	1869-P	NUT, 10-24 NYLON LOCK
12	4	1714-P	HHCS, 1/4-20 X 3/4 GR2
13	4	1866-P	WASHER, 1/4 USS 3/4 OD
14	4	3923-P	NUT, 1/4-20 WHIZ LOCK
15	8	1867-P	BHSC, 10-24 X 1-3/4