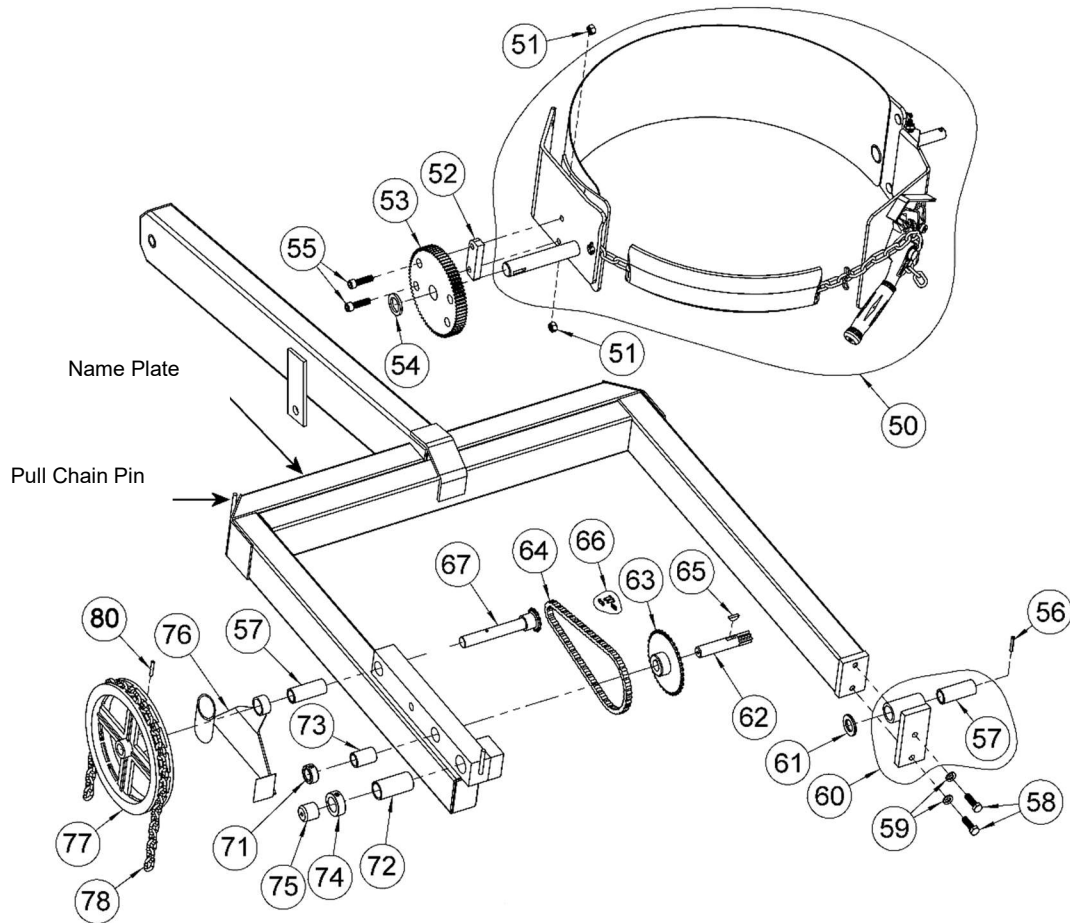


**OPTION SSG-MT** Stainless Steel Gears for

- 500 Series Manual Tilt Vertical-Lift Drum Pourer with Serial Number 279977 to Current
- 400 Series Manual Tilt Hydra-Lift Karrier™ with Serial Number 1015 to Current (MMYY) or 400000 to Current

**400 Series Hydra-Lift Karrier Overhead Assembly Shown**



| OPTION SSG-MT             |      |             |                                  |
|---------------------------|------|-------------|----------------------------------|
| ITEM                      | QTY. | PART NUMBER | DESCRIPTION                      |
| 53*                       | 1    | 5862-P      | SS SPUR GEAR 72T 1" BORE, KEY    |
| 62*                       | 1    | 5863-P      | GEAR, PINION, 7 TOOTH, SS        |
| 63*                       | 1    | 13SS-P      | SPROCKET #35 36T, 3/4" BORE SS   |
| 64*                       | 1    | 12SS-P      | CHAIN, ROLLER, #35 SS            |
| 66                        | 1    | 795SS-P     | LINK, MASTER, #35 CHAIN SS       |
| 67*                       | 1    | 3755-P      | SS SHAFT W/ SS 12T SPROCKET      |
| 70                        | 1    | 4285-P      | COVER KIT, POLY, REG (NOT SHOWN) |
| * Recommended spare parts |      |             |                                  |

