

CONTENTS

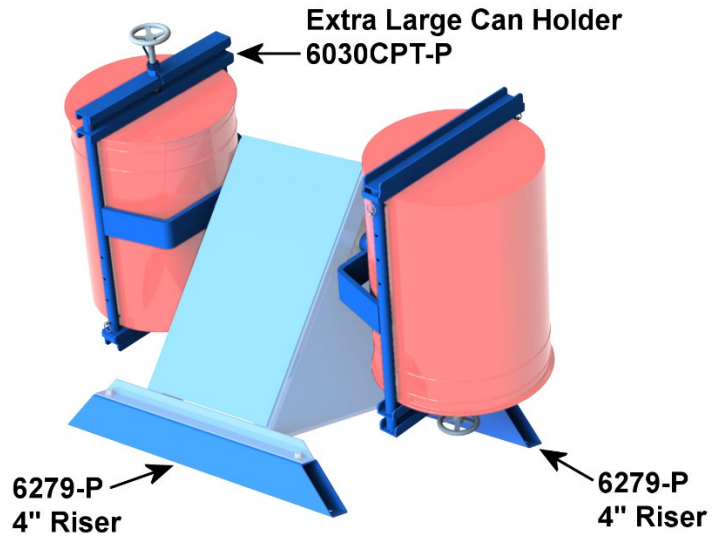
- Description
- Parts List and Diagram

Description

Extra Large Can Holders for
2-305 Series Double Can Tumbler

Install to mix cans with

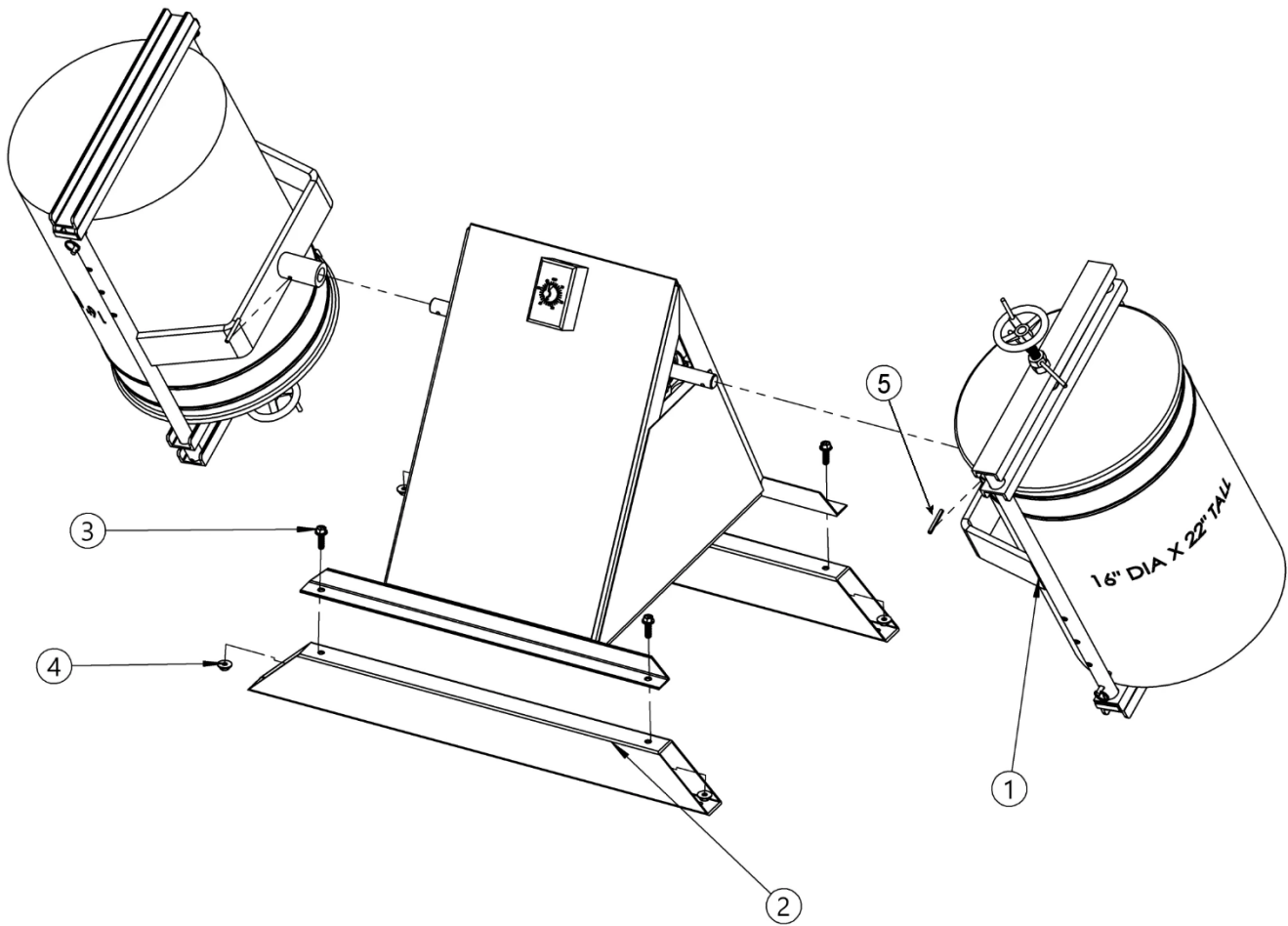
- Up to 16" (40.6 cm) diameter
- 11" to 22" (28 to 55.9 cm) tall



Option XLC-2-305

Pair of Larger Can Holders

S/N 0618 to Current (MMYY) or 400000 to Current



ITEM	QTY.	PART NUMBER	DESCRIPTION
1	2	6030CPT-P	CAN HOLDER COMPLETE, 305 XL
2	2	6279-P	TUBE, 4 X 2, 305 BASE
3	4	4003-P	BOLT, 3/8-16 X 1-1/4 WHIZ
4	4	4002-P	NUT, 3/8-16 WHIZ LOCK
5	2	2434-P	ROLL PIN, 1/4 X 2"