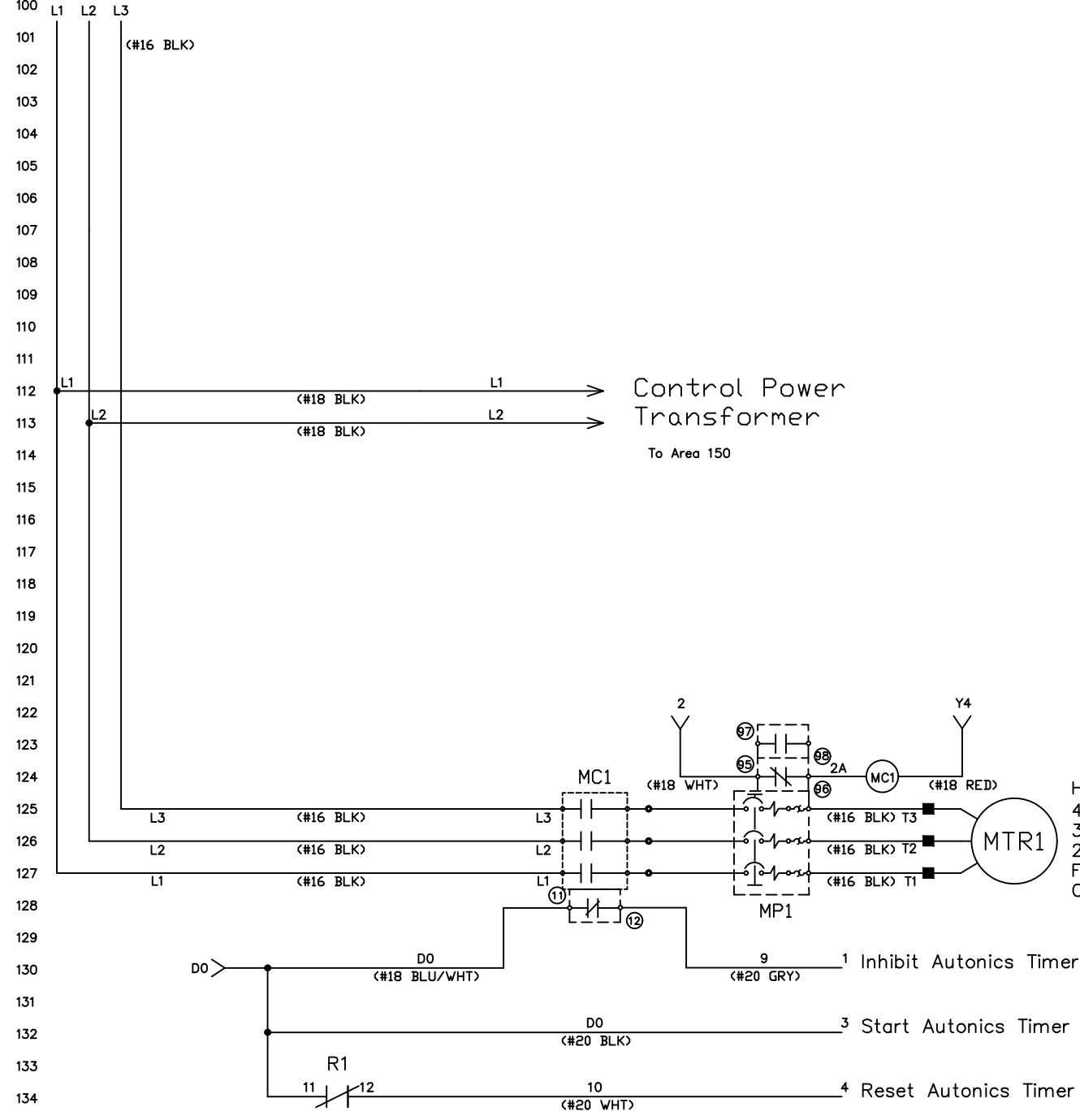
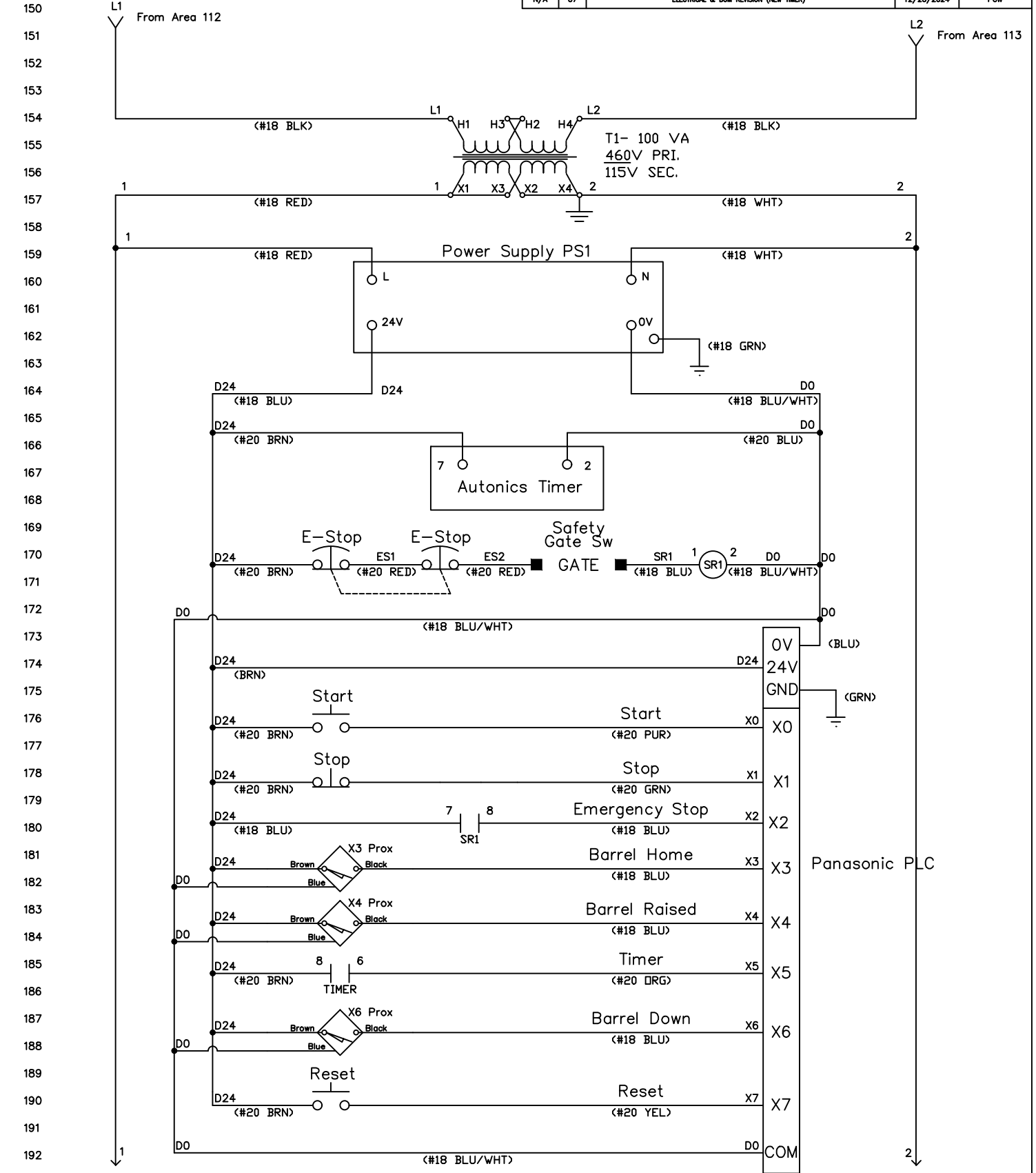


MAINS POWER
460 VAC 3 Phase
10 AMP



HYDRAULIC PUMP MOTOR
460VAC 50/60HZ
3 PHASE
2 HP
FLA: 2.5A
OVERLOAD RELAY: 2.3A-3.2A

REVISIONS				
ZONE	REV	DESCRIPTION	DATE	APPROVED
N/A	06	ELECTRICAL CIRCUIT REVISION	11/14/2022	PCW
N/A	07	ELECTRICAL & BOM REVISION (NEW TIMER)	12/20/2024	PCW



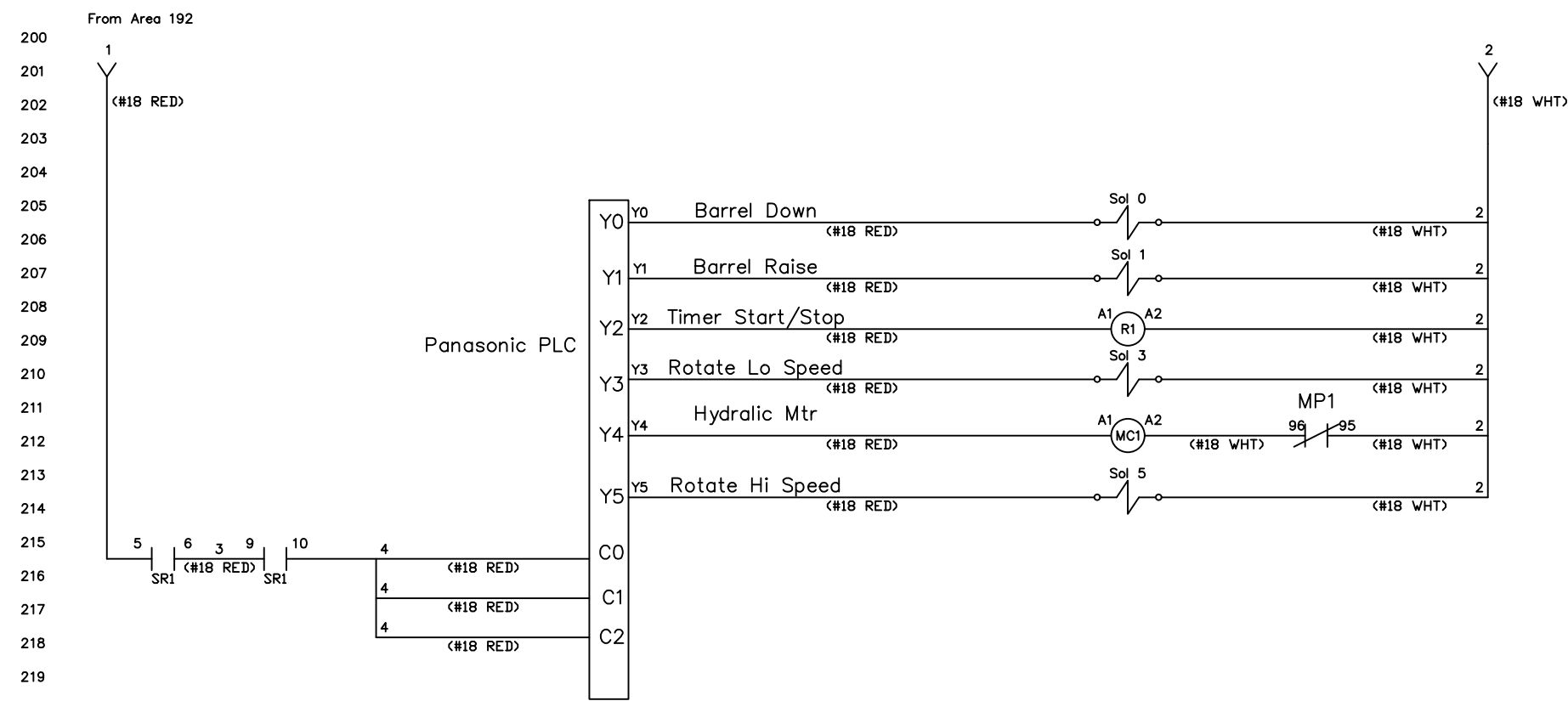
DRAWN BY PCW
CHKD BY PCW
DATE DRAWN 06/10/2014
DATE CHKD 12/20/2024



103 Kuhn Rd, Syracuse, NY 13208
PHONE 315-564-4347 FAX 315-437-1029

THIS MATERIAL IS THE EXCLUSIVE PROPERTY OF MORSE MANUFACTURING COMPANY INC. AND MUST BE RETURNED TO MORSE IMMEDIATELY UPON REQUEST. THIS MATERIAL AND INFORMATION ILLUSTRATED OR CONTAINED HEREIN MAY NOT BE REPRODUCED, COPIED, USED, OR TRANSMITTED IN WHOLE OR IN PART IN ANY WAY WITHOUT THE PRIOR WRITTEN CONSENT OF MORSE MANUFACTURING COMPANY INC.	TITLE MORSE 311-3-460 (ELECTRICAL)	DWG NO. AACI061014A	SHEET 1 of 2	REV 07
--	--	------------------------	-----------------	-----------

REVISIONS				
ZONE	REV	DESCRIPTION	DATE	APPROVED
N/A	06	ELECTRICAL CIRCUIT REVISION	11/14/2022	PCW
N/A	07	ELECTRICAL & BOM REVISION (NEW TIMER)	12/20/2024	PCW



*MANUFACTURER	*PART NUMBER	DESCRIPTION	QUANTITY
AUTONICS	LE4S	DIGITAL TIMER, 24-240VAC/VDC, RELAY OUTPUT	1
AUTONICS	PG-08	8-PIN SOCKET	1
EXM (EUROBEX)	5412 ESCH141206	ENCLOSURE, 14" x 12" x 6"	1
HAMMOND	SP100MQMJ	CONTROL TRANSFORMER, 100VA	1
HAMMOND	SPFG1	FINGER GUARD	2
HTM	FCM2-1204P-ARU4	PROXIMITY SENSOR	3
IBOCO	OMEGA 3FAL1	DIN RAIL, 35MM x 2METER	1
IDEC	SF1V-4-07L	SF1V RELAY SOCKET	1
IDEC	RF1V-3A1BL-D24	RF1V FORCE GUIDED RELAY	1
MENCOM	PCG-1/2X	CABLE GLAND	5
MENCOM	PCG-1/2	CABLE GLAND	2
MENCOM	212PA	1/2NPT NUT, PLASTIC	7
MENCOM	PCG-07R	CABLE GLAND	3
MURRELEKTRONIK	7000-12341-0140500	SENSOR CABLE, M8, 90DEG, 5M	3
MURRELEKTRONIK	7000-18041-6160500	MOLDED CABLE, FORM A (18 mm), 5 meter	4
PANASONIC	AFPORC14CRS	PANASONIC PLC 14 I/O	1
SPRECHER+SCHUH	CA8-12-01-120	CONTACTOR 120V 50/60	1
SPRECHER+SCHUH	CT8-B32	OVERLOAD RELAY 2.3 TO 3.2 AMPS	1
SPRECHER+SCHUH	V7-EA35	END ANCHOR	5
SPRECHER+SCHUH	V7-WD4	TERMINAL BLOCK, 2-TIER	14
SPRECHER+SCHUH	V7-W4	TERMINAL BLOCK, SINGLE	6
SPRECHER+SCHUH	V7-WG4	TERMINAL BLOCK, GROUNDING	4
SPRECHER+SCHUH	V7-EBD3	END BARRIER	4
SPRECHER+SCHUH	V7-CJD6-10	CENTER JUMPER	2
SPRECHER+SCHUH	D7P-MT44PX02	E-STOP, TWIST-TO-RELEASE, 2NC	1
SPRECHER+SCHUH	D7P-E4PX01	PUSHBUTTON, RED, EXTENDED, 1NC	1
SPRECHER+SCHUH	D7P-F3PX10	PUSHBUTTON, GREEN, FLUSH, 1NO	1
SPRECHER+SCHUH	D7P-F6PX10	PUSHBUTTON, BLUE, FLUSH, 1NO	1
SPRECHER+SCHUH	D7-15YSE112	LEGEND PLATE, "E-STOP"	1
SPRECHER+SCHUH	D7-110	LEGEND PLATE FRAME 30 X 40mm	3
SPRECHER+SCHUH	D7-17WE100	LEGEND PLATE, BLANK	3
SPRECHER+SCHUH	PIR6W-IP-115VAC/DC	115VAC TERMINAL RELAY	1
SPRECHER+SCHUH	V7-SM6X9 (CUSTOM)	TERMINAL MARKER CARD (CUSTOM)	1
SPRECHER+SCHUH	V7-SM6X12 (CUSTOM)	TERMINAL MARKER CARD (CUSTOM)	1
*FUNCTIONALLY EQUIVALENT COMPONENTS MAY BE SUBSTITUTED			

DRAWN BY PCW
CHKD BY PCW
DATE DRAWN 06/10/2014
DATE CHKD 12/20/2024

103 Kuhn Rd, Syracuse, NY 13208
PHONE 315-564-4347 FAX 315-437-1029

THIS MATERIAL IS THE EXCLUSIVE PROPERTY OF MORSE MANUFACTURING COMPANY INC. AND MUST BE RETURNED TO MORSE IMMEDIATELY UPON REQUEST. THIS MATERIAL AND INFORMATION ILLUSTRATED OR CONTAINED HEREIN MAY NOT BE REPRODUCED, COPIED, USED, OR TRANSMITTED IN WHOLE OR IN PART IN ANY WAY WITHOUT THE PRIOR WRITTEN CONSENT OF MORSE MANUFACTURING COMPANY INC.

TITLE MORSE 311-3-460 (ELECTRICAL)	DWG NO. AACI061014B	SHEET 2 of 2	REV 07
--	------------------------	-----------------	-----------