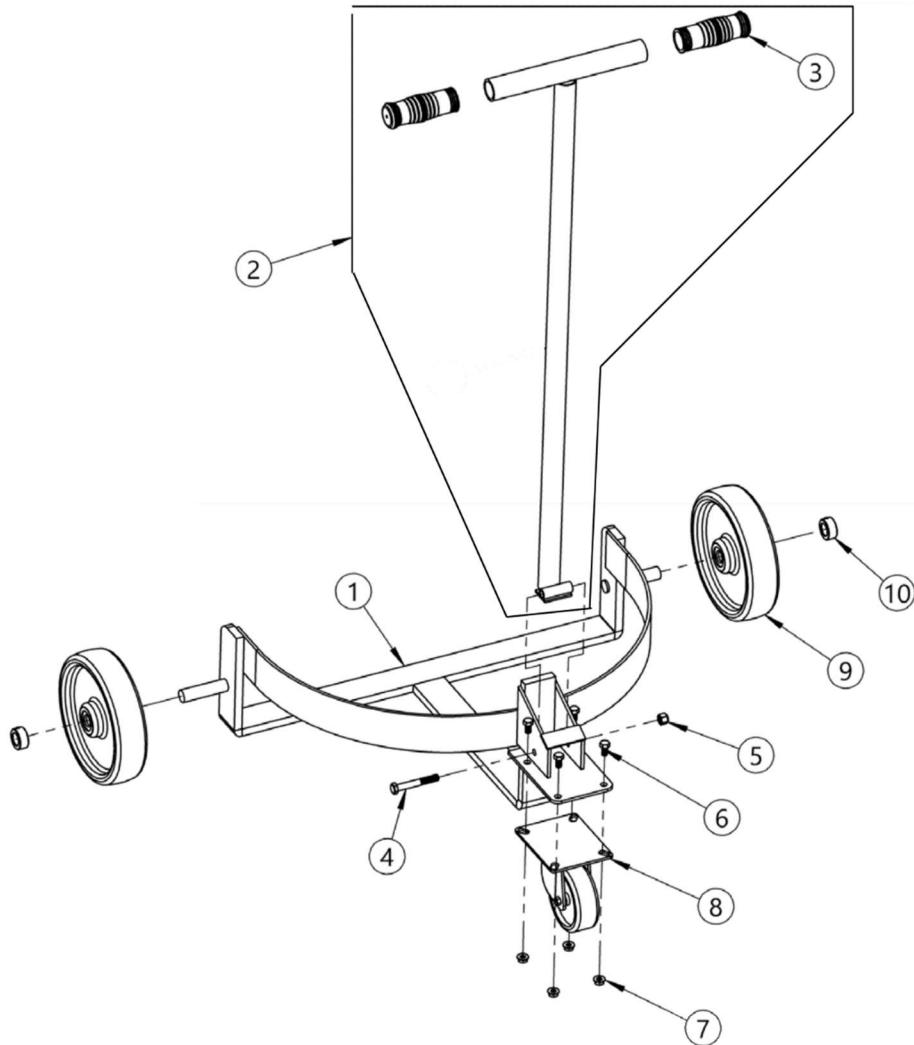


**Operating Instructions**

1. Move upright drum by pulling or pushing on hinged handle.
2. Hinge allows extension of handle away from load to pivot or steer truck.
3. Handle stores in upright position.



ITEM	QTY.	PART NUMBER	DESCRIPTION
1	1	74-P	BASE WELD, 125
2	1	72-P	HANDLE ASM, 125
3	2	83-P	GRIP, HANDLE, 1-1/4 X 4-1/2
4	1	1315-P	HHCS, 3/8-16 X 2-3/4 GR2
5	1	3981-P	NUT, 3/8-16 NYLON LOCK
6	4	215-P	HHCS, 5/16-18 X 5/8 GR2
7	4	1634-P	NUT, 5/16-18 WHIZ LOCK
8	1	3308-P	CASTER, 4" SWIVEL, DBL RACE
9	2	87-P	WHEEL, MORTUF, 8", 3/4" BRG
10	2	15-P	COLLAR, 3/4" ID



**WARNING** - This product can expose you to chemicals including barium sulfate, cobalt, titanium dioxide, and 2-methylimidazole, which are known to the State of California to cause cancer, and bisphenol-A, which is known to the State of California to cause birth defects or other reproductive harm. For more information go to [www.P65Warnings.ca.gov](http://www.P65Warnings.ca.gov)