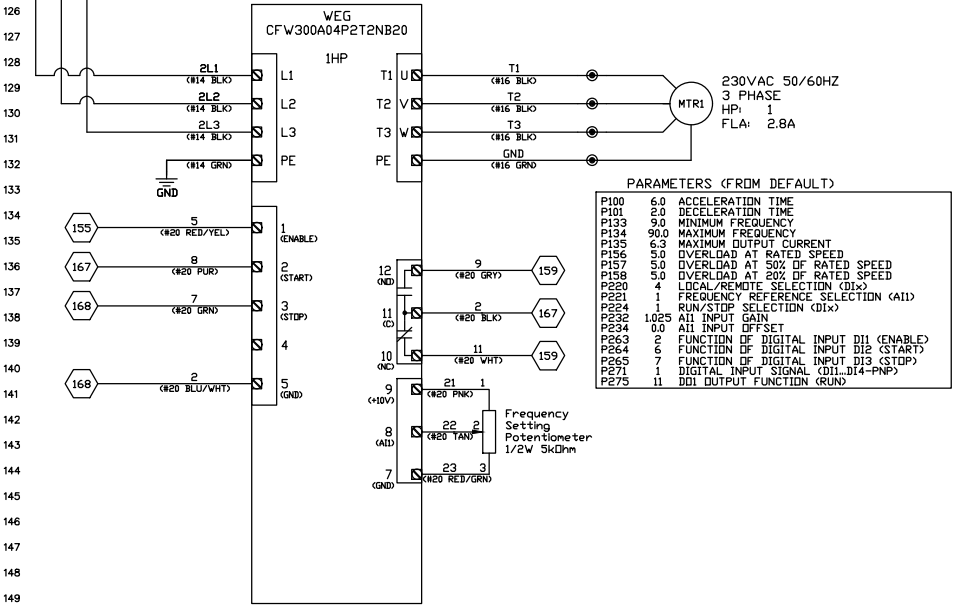
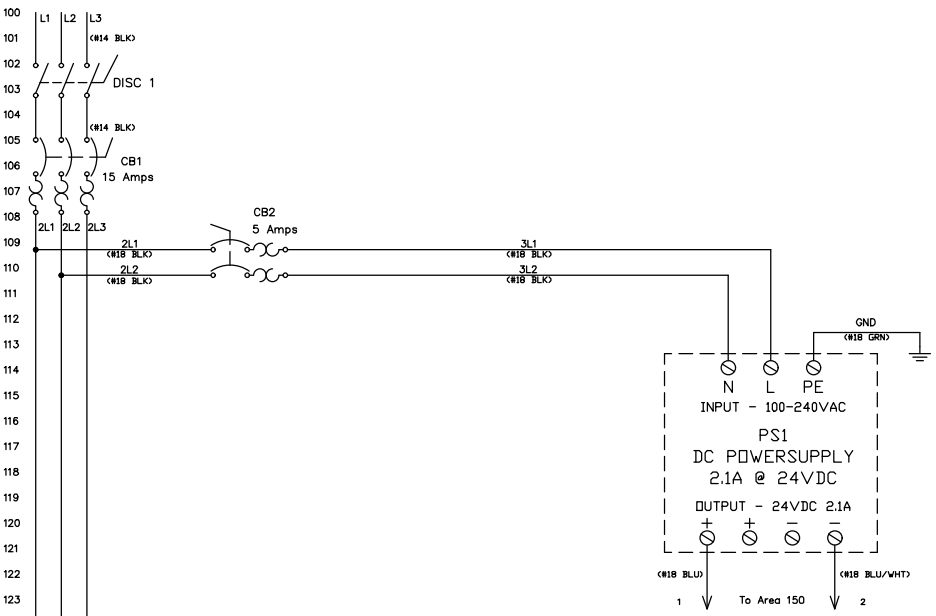
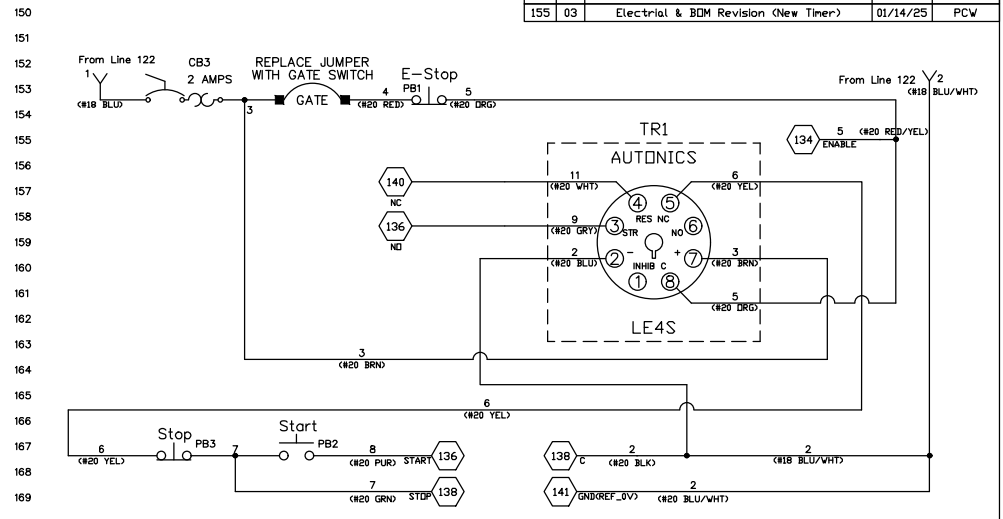


MAINS POWER
230 VAC 3 Phase
15 AMP



REVISIONS				
ZONE	REV	DESCRIPTION	DATE	APPROVED
152	01	E-Stop Circuit Revision	11/15/23	PCW
NA	02	BDM Update	09/19/24	PCW
155	03	Electrical & BDM Revision (New Timer)	01/14/25	PCW



*MANUFACTURER	*PART NUMBER	DESCRIPTION	QUANTITY
Autonics	LE4S	Digital Timer, 24-240VAC/VDC, Relay Output	1
Autonics	PG-08	8-Pin Socket	1
Eurobox (EXM)	5412 ES161608	Enclosure, 16" x 16" x 8"	1
Emerson-Sola	SVL 2-24-100	Power Supply, Input 100-240VAC, Output 24VDC @2.1A	1
WEG	CFW300A04P2T2NB20	WEG CFW300 VFD, 1HP @ 230VAC 3-PHASE	1
Sprecher+Schuh	D7P-POT5A	Potentiometer, 5K	1
WEG	CSW-B55-WH	Pushbutton, Extended Black	1
WEG	CSW-BF2-WH	Pushbutton, Flush Green	1
WEG	CSW-BESG-WH	E-Stop Operator, Twist-To-Release, 42mm	1
WEG	AF3F	Mounting Flange	3
WEG	BCM01F-CSW	Contact Block, NC, Self-Monitoring	1
WEG	BC01F-CSW	Contact Block, NC	1
WEG	BC10F-CSW	Contact Block, NO	1
WEG	MSW 40 B-3 H	Base Mounted 3 Pole Switch w/Handle & Shaft	1
WEG	MSW HS 185-40	Metal Operating Shaft	1
Sprecher+Schuh	D7-15YSE112	E-Stop Inscription Ring	1
Sprecher+Schuh	L9-15/3/D	Circuit Breaker, 15Amp, D-Curve	1
Sprecher+Schuh	L8-2/2/B	Circuit Breaker, 2Amp, B-Curve	1
Sprecher+Schuh	L8-2/1/B	Circuit Breaker, 2Amp, B-Curve	1
Iboco	OMEGA 3FAL1	DIN Rail, 35mm x 1meter	1
Iboco	T1-0510G	WIRE DUCT, 0.50" x 1.0" x 2M	1
Sprecher+Schuh	V7-WG4	Ground Terminal	2
Sprecher+Schuh	V7-W4	Terminal	11
Sprecher+Schuh	V7-EA35	End Anchor	11
Sprecher+Schuh	V7-EB3	End Barrier	2
Sprecher+Schuh	V7-PP3	Partition	1
Sprecher+Schuh	V7-SM6X12	Marker Card	1
Sprecher+Schuh	V7-CJ6-2	Center Jumper	1
McMaster-Carr	5891T111	Electrical Hazard Warning Label, 1-3/4"W x 2-1/2"H	1
		Legend Plate, 0.75" x 0.75", "0"	1
		Legend Plate, 0.75" x 0.75", "1"	1
		Legend Plate, 0.75" x 2.00", "MOTOR SPEED CONTROL"	1

*FUNCTIONALLY EQUIVALENT COMPONENTS MAY BE SUBSTITUTED

TIMER SETTINGS		
PARAMETER	DISPLAY	SETTING
Output operation mode	oLd	and
Time Range	t-rn	99'59"
Time UP/DOWN	U-d	dn
Width of min. input signal	l-n	20
Backlight	bLU	on
Keylock	LoCk	LoFF

DRAWN BY
PCW
CHKD BY
PCW
DATE DRAWN
06/16/22
DATE CHGD
01/14/25

MORSE
The Specialist In Drum Handling Equipment
103 Kuhn Rd, Syracuse, NY 13208
PHONE 315-564-4347 FAX 315-437-1029

TITLE 5557-P VFD PANEL (ELECTRICAL)	DWG NO. AAC1061622A	SHEET 1 of 1	REV 03
--	------------------------	-----------------	-----------