

OPERATOR'S MANUAL FOR MORSE MODEL 81 DRUM SPOTTER
Serial Number 0598 to 1204 (MMYY - Month Year)

For 55 Gallon Steel, Plastic and Fiber Drum with Suitable Top Rim
22 to 23.5" (56 - 60 cm) Diameter
34 to 36" (86 - 91 cm) Tall

A. ASSEMBLY INSTRUCTIONS ARE ON PAGE 5.

B. IMPORTANT:

1. Review the Material Safety Data Sheet(s) for the material(s) in the drum(s) and take all necessary precautions. Safety shoes, work gloves, hard hat and other personal protective devices are recommended.
2. Please read all instructions *thoroughly* before attempting to operate your new MORSE drum handler.
3. The Model 81 has a maximum capacity ratings of 800 Lb. Drum-Spotters are made for various drum sizes and types as listed above. *DO NOT* exceed these ratings or an unsafe condition may result which could cause damage, excessive wear, or make the unit awkward or dangerous to handle.
4. Drum-Spotters are intended for lifting, moving, and holding drums. Drums may be lifted upright to or from the floor, pallets, dollies, scales, etc.
5. When loading, unloading, operating, or maintaining your MORSE drum handler, always use care and good judgment. Maintain secure footing and a firm hold. Keep hands and loose clothing away from all moving parts. Never allow anyone to be below any part of a raised drum handler or drum. Read operating instructions and review the pictures in the sales brochure before operation.

C. OPERATING INSTRUCTIONS:

1. Roll the assembled Drum-Spotter to the drum. (Assembly instructions are on page 5.)
2. Grip the push-handle, squeeze both release rods and raise the handle to position lifting hooks below top rim of drum.
3. Roll the Drum-Spotter forward to drum.
4. Pull down the push-handle to raise the drum. The Drum-Spotter will hold up the drum and may be rolled away carrying the drum.
5. It is necessary to have a firm, two hand hold to lower the push-handle and squeeze the release rods. With both release rods squeezed, the handle will unlock and allow the weight of the drum to make the handle tend to rise. Apply sufficient force to allow the handle to rise slowly to control the descent of the drum.

D. MAINTENANCE:

1. Lubricate wheels and other moving parts periodically to maintain free action and reduce wear.
2. Tighten all nuts and bolts periodically except the two 1/2" carriage bolts (item 11) which should be just loose enough to permit a hinging motion of the stanchion and handle.

E. PARTS INFORMATION

Worn or damaged parts must be replaced with the correct, genuine Morse parts. Please refer to the attached diagram and list. When ordering, specify model number, serial number, part numbers and descriptions. See pages 2, and 3.

PARTS LIST FOR MORSE MODEL 81 DRUM SPOTTER
Serial Number 0598 to 1204 (MMYY - Month Year)

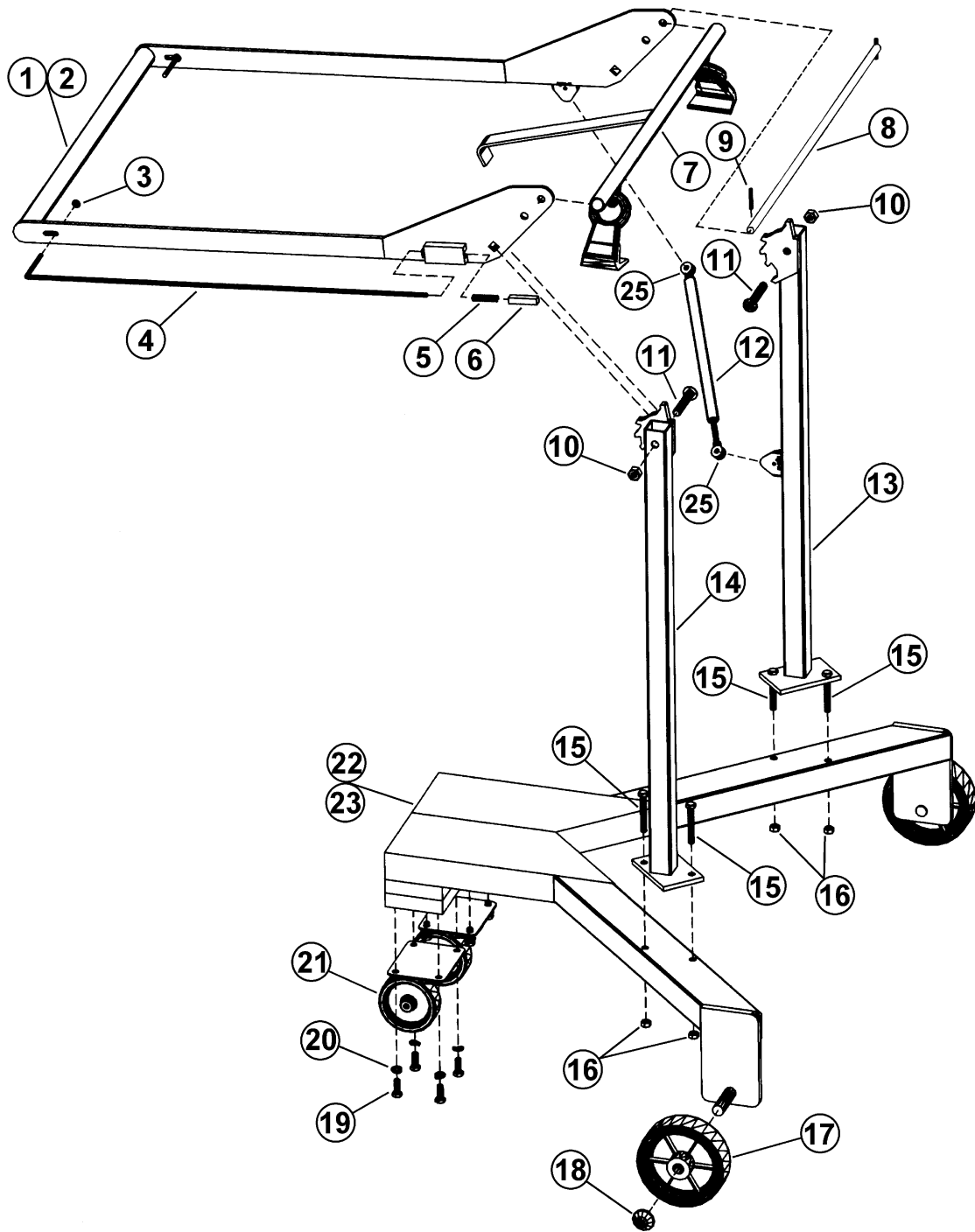
ITEM	QTY	PART #	DESCRIPTION
1*	1	8150CPT-P	HANDLE ASM CPT, 81
2	1	8150-P	HANDLE WELDMENT ONLY, 81
3	2	717-P	PUSH NUT, 1/4"
4	2	66-P	FOLLOWER RELEASE ROD
5	2	70-P	FOLLOWER SPRING
6	2	68-P	RATCHET FOLLOWER 80
7	1	8130-P	LIFT HOOK WELDMENT, 81
8	1	8128-P	LIFT HOOK SHAFT, 81
9	2	64-P	ROLL PIN, 3/16 X 1-1/4
10	2	810-P	1/2 - 13 REV HEX LOC NUT
11	2	806-P	CARRIAGE BOLT, 1/2 - 13 X 3"
12	1	8165-P	GAS SPRING, 81
13	1	8110-P	STANCHION, LEFT W/ BRACKET 81
14	1	8111-P	STANCHION, RIGHT, 81
15	4	1315-P	3/8 - 16 X 2-3/4 HHCS GR 2 STL
16	4	1169-P	3/8 - 16 REV HEX LOC NUT
17	2	8160-P	WHEEL, 6" DIA 3/4" BORE, 81
18	2	705-P	PUSH-ON HUB CAP, 3/4"
19	8	1572-P	3/8 - 16 X 1" HHCS GR 2 STL
20	8	1474-P	WASHER, 3/8 SPLIT LOCK
21	2	86-P	CASTER, SWIVEL, 4"
22	1	8104-P	BASE WELDMENT, 81
23**	1	8105-P	BASE ASM CPT, 81
24 ***	1	8170-P	HARDWARE BAG, 81
25	2	8167-P	GAS SPRING BALL SOCKET, 8165-P

* ITEM 1 INCLUDES ITEMS 2, 3, 4, 5, & 6

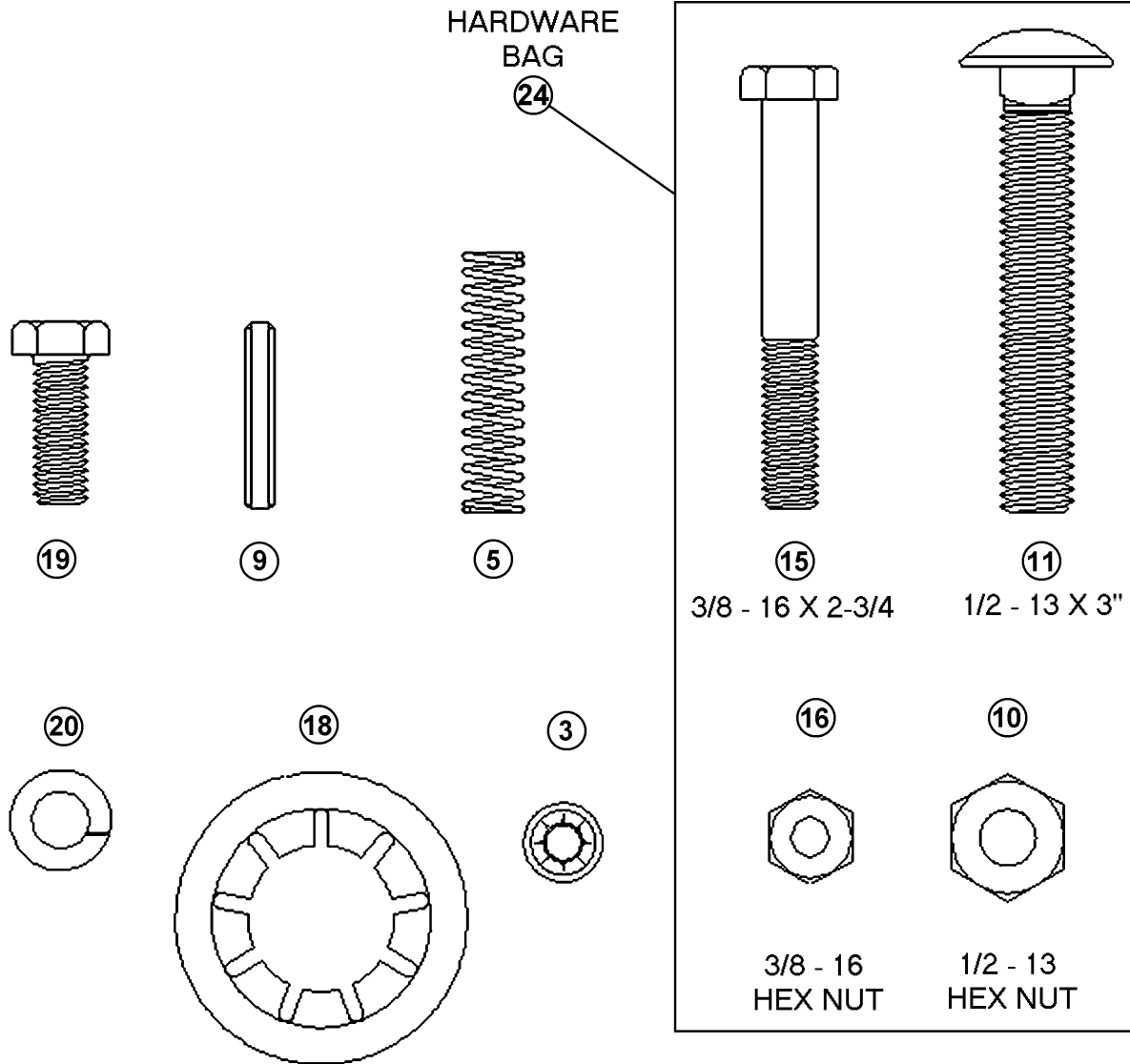
** ITEM 23 INCLUDES ITEMS 17, 18, 19, 20, 21, & 22

*** ITEM 24 INCLUDES 10, 11, 15, & 16

PARTS DIAGRAM FOR MORSE MODEL 81 DRUM SPOTTER
Serial Number 0598 to 1204 (MMYY - Month Year)



HARDWARE BAG CONTENTS FOR MORSE MODEL 81 DRUM SPOTTER
Serial Number 0598 to 1204 (MMYY - Month Year)



ASSEMBLY INSTRUCTIONS FOR MORSE MODEL 81 DRUM SPOTTER
Serial Number 0598 to 1204 (MMYY - Month Year)

1. Remove the base assembly (item 23) from shipping container and carefully place on floor with wheels down.
2. Locate the left stanchion (item 13) with the ball type bracket welded in the center.
 - A. While standing behind the counterweight with the 6" wheels in front, place the left stanchion on the left base leg with ratchet facing inward.
 - B. Align the two holes in the stanchion with the left base leg holes and insert two 3/8-16 x 2-3/4 hex bolts (item 15 from the hardware bag).
 - C. Finger tighten two 3/8-16 lock nuts (item 16 from the hardware bag) onto bottom of bolts.
3. Locate the remaining right stanchion (item 14).
 - A. While standing behind the counterweight with the 6" wheels in front, place the right stanchion on the right base leg with ratchet facing inward.
 - B. Align the two holes in the stanchion with the right base leg holes and insert two 3/8-16 x 2-3/4 hex bolts (item 15 from the hardware bag).
 - C. Finger tighten two 3/8-16 lock nuts (item 16 from the hardware bag) onto bottom of bolts.
4. Locate the handle-hook assembly.
 - A. With the handle bar and release rods over the counterweight, and with the hook assembly side plates facing upward, place the square holes of the handle between the previously assembled stanchions
 - B. Insert a 1/2-13 x 3" carriage bolt (item 11 from the hardware bag) from the inside through the square hole in the handle and on through the stanchion and ratchet.
 - C. Repeat for the other side.
 - D. Thread on 1/2-13 Lock nuts (item 10 from the hardware bag) and tighten. Once tightened, loosen a 1/2 turn to permit a hinging motion between the stanchion and the handle.
 - E. Repeat for other side.
5. Tighten all four 3/8-16 locknuts on bottom of stanchions.
6. Attach gas spring.
 - A. Remove tape from gas spring on handle
 - B. Pry the plastic retaining cap off bottom of gas spring with small screwdriver.
 - C. With the handle in the vertical position, pry bottom of gas spring onto ball bracket of the left stanchion.
 - D. Tap plastic retaining cap back onto gas spring.