

Extra Heavy-Duty Kontrol-Karrier

MADE
IN
USA

- 2,000 Lb. (907 kg) Capacity
- 360° drum tilt control in both directions
- Hand operated geared tilt with fully enclosed gear box
- Quick, sure below-hook drum handling by one person
- Save time, reduce waste, improve productivity
- Controlled high-level pouring



Manual drum tilt is controlled with a 12' (3.66 m) pull chain loop hanging 6' (1.83 m) below the chain wheel. There is enough resistance in the enclosed gear box to automatically stop and hold the drum tilt angle. Hand wheel tilt control option is also available.

Extra-heavy-duty construction with steel tube framework, large shafts and bearings offer long life in tough service. A grease filled, worm gear speed reducer provides 150:1 gear reduction for fine control when tipping heavy drums.

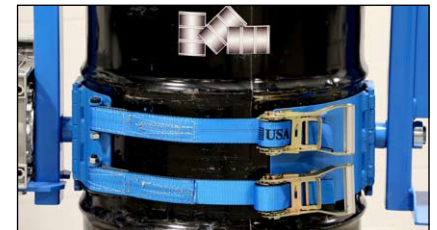
Full Drum Capacity 2,000 Lb. (907 kg).
Half-full drum capacity 1,000 Lb. (454 kg)

Half-full rating is an indication of capacity for tilting an unbalanced, bottom-heavy drum. A partially full drum with unbalanced and shifting load is harder to tilt than a full drum.

The drum holder of Model 185A-GR has a 9" (22.9 cm) wide metal band and two straps and ratchets to secure your 22.5" (57.2 cm) diameter steel drum.

Steps to use Model 185A-GR

1. Attach your hoist hook to model 185A-GR lifting point.
2. Lift and move the Kontrol-Karrier to your upright drum.
3. Move Kontrol-Karrier's drum holder to the middle of drum
4. Secure between drum ribs with two web straps... no tools are needed.
5. Lift and move drum to pouring station with your crane.
6. Pull down one side of the chain loop while letting out the other to turn drum. Chain loop provides control of drum tilt 360° in either direction, even while drum is hoisted above your reach.



Model #	Description	19" (48.3 cm) Adaptor	Unit Wt.	Domestic Ship Weight	Domestic Ship Dimensions	Ship Class
185A-GR	Extra-Heavy-Duty Kontrol-Karrier, drum holder with load binders	55/30-19GR	186 Lb. (84.4 kg)	201 Lb. (91.2 kg)	L 42" W 42" H 15" (107 x 107 x 38 cm)	77.5

Options and Accessories



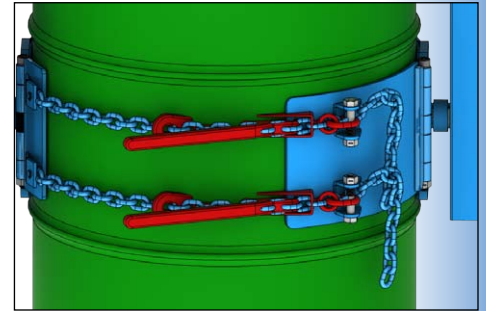
Model # 55/30-19GR
 Diameter Adaptor

Simply insert Diameter Adaptor into the drum holder to handle your 19" (48.3 cm) diameter 30-gallon (114 liter) steel drum. Then lift the Diameter Adaptor back out to go back to handling a 55-gallon (210 liter) steel drum.



Option # X03-185GR
 16" (40.6 cm) Hand wheel

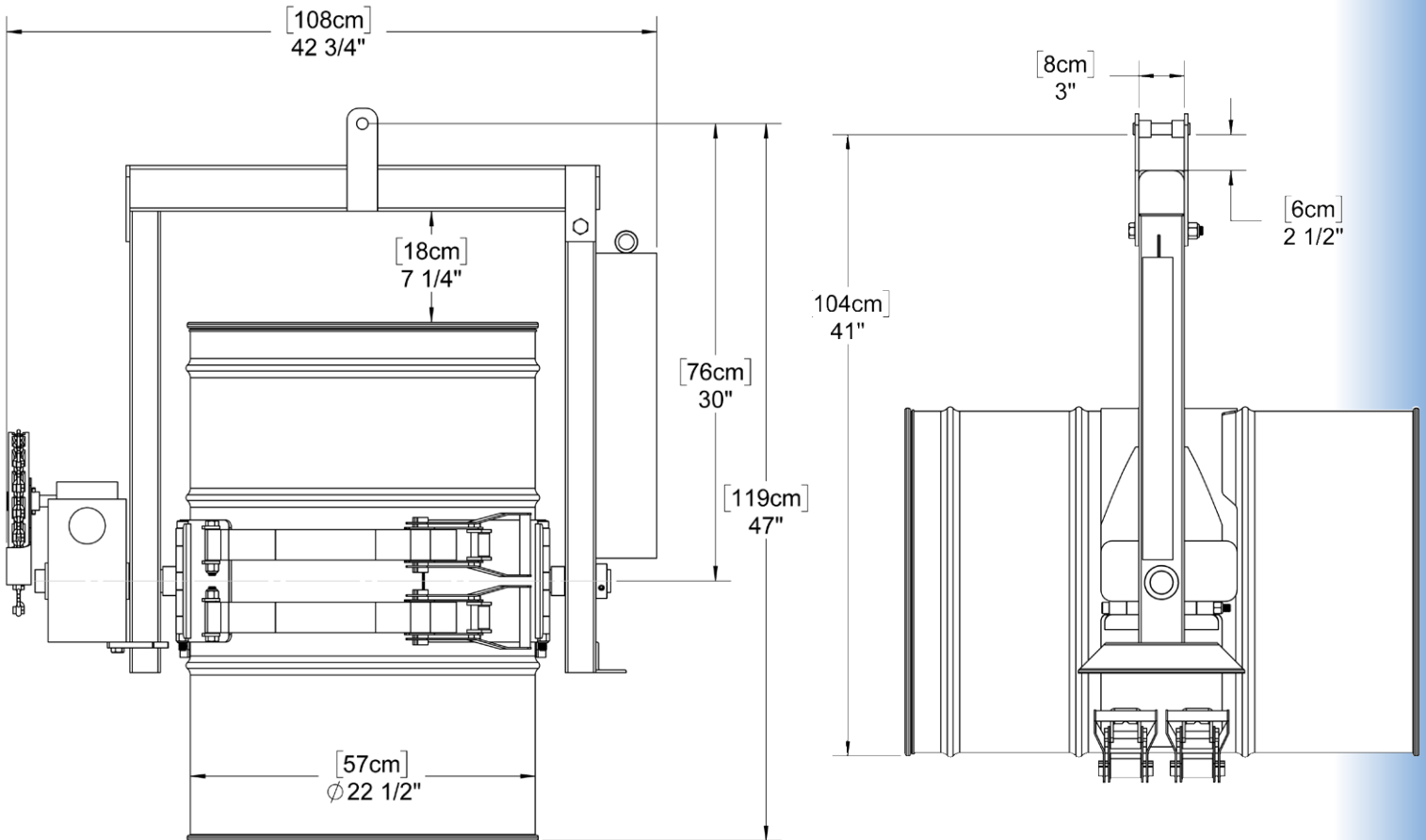
16" (40.6 cm) Hand Wheel with Speed Knob. Replaces the standard chain wheel with hand wheel to turn the drum.



Kit # 6214KIT-P
 Two Chains and Load Binders

Secure drum in holder with two chains and load binders. Replaces standard web straps and ratchets.

Dimensions



NOTE: Standard loop of pull chain extends approximately 6 feet (1.83 m) below the chain wheel.