

Lift and Dispense a Drum with Your Hoist or Crane

>> [Kontrol-Karrier Video](#) <<

Kontrol-Karrier Capacity: 800 Lb. (363 kg)

MADE
IN
USA

- Attaches to your hoist or crane for quick, sure below-hook drum handling
- Provides controlled high-level pouring above your reach
- Allows 360° drum tilt control in both directions
- Saves time, reduces waste, and improves productivity

Custom versions available

- Longer arms with space inside frame to attach a cone to drum top
- Nested lifting point to reduce required head room

Morse Kontrol-Karriers have a 12' (366 cm) long pull chain loop with 6' (183 cm) drop so you control drum tilting, 360° in either direction. Dispense a drum overhead with your crane or hoist.

We recommend the MORStop™ Tilt-Brake option to automatically hold the drum tilt angle until you turn it. This prevents a partially full, unbalanced drum from turning out of control, even when the contents shift from one end to the other.

Can also be ordered with Hand Crank or Hand Wheel option for use only within reach of operator.



Model 185G Kontrol-Karrier with 3-Piece Drum Holder

- For 22.5" (57.2 cm) diameter steel drum
- Accepts Diameter Adapter for 19" (48.3 cm) diameter drum
- Bolt-on Top Rim Clamp Option
 - Bracket Assembly Option for a plastic or fiber drum
 - Has chain wheel controlled tilt with 30:1 gear ratio and safety cover
 - Stands upright on foot support
- Handles drum with drum faucet in place
- Capacity: 800 Lb. (363 kg) full-drum
500 Lb. (227 kg) half-full drum

Half-full rating is an indication of capacity for tilting an unbalanced, bottom-heavy drum. A partially full drum with unbalanced and shifting load is harder to tilt than a full drum.

Options and Accessories

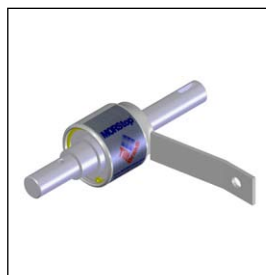
Diameter Adapter for 30-gallon (114 liter) drum



This **Diameter Adapter** allows you to handle a 19" (48.3 cm) diameter drum with model 185G-HD. Simply place Diameter Adapter into the drum holder. When dispensing is complete, simply lift Diameter Adapter out of drum holder to return to handling a 55-gallon (210 liter) drum.

Model 55/30-19GR Diameter Adapter for 18.5" to 19" (47 to 48.25 cm) diameter drum

MORStop™ Tilt-Brake Automatically prevents unwanted drum tilting



Option # 3900i-P
We recommend the factory installed MORStop™ Tilt-Brake Option on Kontrol-Karrier to automatically hold the drum tilt angle until the operator turns the drum

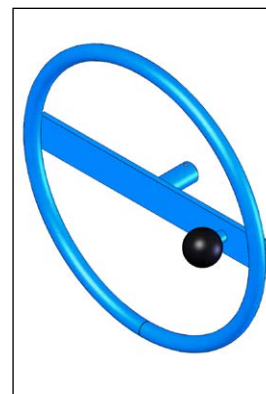
Kit # 3900-P
MORStop™ Tilt-Brake Kit for customer to install on existing model 185G

Hand Crank to turn drum



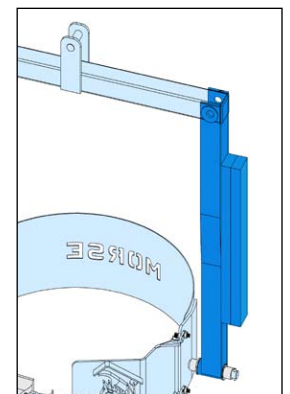
Option # X02-185
Factory installed 9" (22.9 cm) Diameter Hand Crank

Hand Wheel to turn drum



Option # X03-185
Factory installed 16" (40.6 cm) Diameter Hand Wheel with speed knob

Counter Weight to keep unit level



Option # 4623i-P
Factory installed Counter Weight keeps your Kontrol-Karrier hanging plumb, even without a drum in the holder

Kit # 4623-P
Counter Weight Kit for customer to install on model 185G



morsedrum.com



service@morsedrum.com




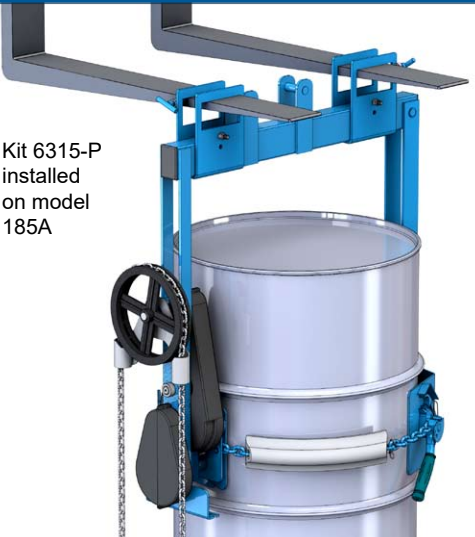
(315) 437-8475



103 Kuhn Rd.
Syracuse, NY, 13208 USA

Fork Pocket Kit

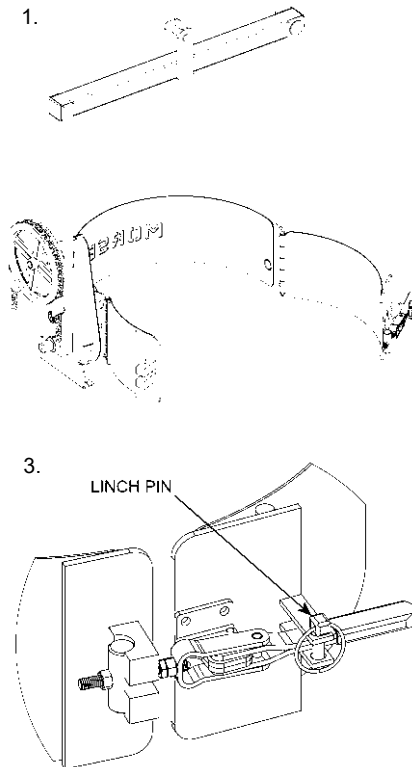
Fork Pocket Kit # 6315-P
 Add fork pockets to below-hook drum handler.
 Install on model 85A, 85G, 85i, 86, 185A, 185G,
 185A-HD or 185G-HD.
NOT for model with spark resistant parts.

Kit 6315-P installed on model 185A

Steps For Use of Model 185G Kontrol-Karrier

1. Start with the Kontrol-Karrier on the floor. Attach lifting point of the Kontrol-Karrier to your hoist hook, then move to your upright drum.
2. Raise your hoist to lift the Kontrol-Karrier. Mate the Kontrol-Karrier's drum holder to the middle of your drum.
3. Secure drum holder to your drum between drum ribs... no tools are needed. To secure drum, pull the linch pin, open the toggle clamp and swing both hinged bands to the open position. Push Kontrol-Karrier against drum so that the drum holder will encircle drum. Close the two hinged bands around the drum, latch the toggle clamp and insert the linch pin.
4. Lift the Kontrol-Karrier and secured drum, with your hoist or crane.

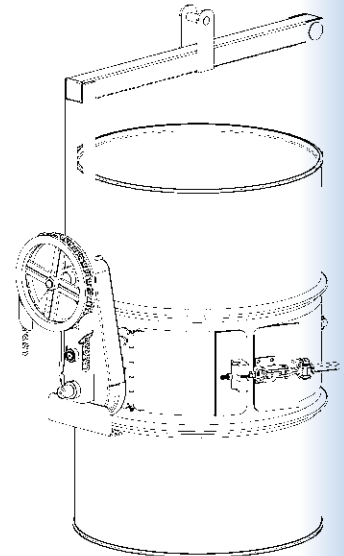


5. To control turning of your drum, pull down on one side of the pull chain loop while letting out the other. The chain lock on the bottom of the power arm can be used to prevent drum rotation. To do so, criss cross the chain and insert in each slot of the chain lock.

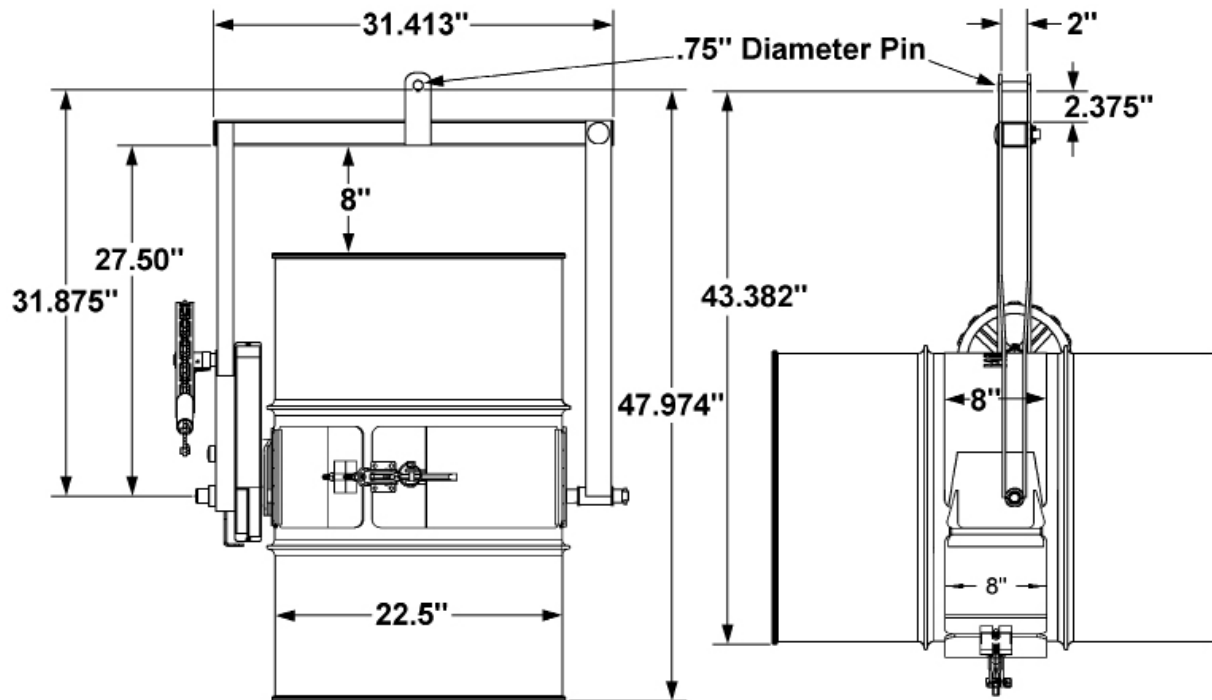
If your drum handler has the factory installed MORStop™ Tilt-Brake Option, there is no need to hold tension on the chain loop. Braking is immediate and self actuating.

To add the MORStop™ Tilt-Brake, order Kit # 3900-P for customer to install.

6. After pouring is completed, rotate drum back to vertical position and lower hoist to return drum to floor.
7. To remove drum from your Kontrol-Karrier, pull the linch pin, open the toggle clamp and swing both hinged bands to the open position.



Dimensions



MADE
IN
USA

NOTE: Standard loop of pull chain extends approximately six feet below the chain wheel