

### Lift, Transport and Pour Drums with Your Forklift

- Add drum handling to your fork truck to raise and control pouring
- Attach to forklift quickly with no tools or truck modification
- No electric or hydraulic connections
- Eliminate backbreaking labor and dangerous, makeshift methods
- Fully invert a drum in less than 15 seconds
- Capacity: 1500 Lb. (680 kg) full drum, 800 Lb. (363 kg) Half-full drum. Half full rating is an indication of capacity for tilting an unbalanced, bottom-heavy drum. A partially full drum with unbalanced and shifting load is harder to tilt than a full drum.

### MORCINCH™ Drum Handling System

Automatically adjusts for 22" to 23.5" (56 to 59.7 cm) diameter drum. Includes a flexible cinch chain cover to help protect drum sidewall. Incorporates alloy cinch chain and durable stress relief weld joints.

Standard Drum Holder



Standard Drum Holder with Cinch Chain and Ratchet

Option # 5115i-P



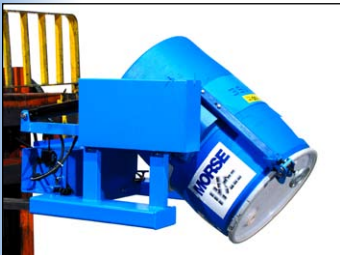
Factory Installed Web Strap and Ratchet Option

Model 285A-BP



Also see model 285XBP on page 2

### Options to Handle Almost Any Drum



#### Top Rim Clamp

The **Top Rim Clamp** grips the upper rim of your drum to prevent it from slipping through the drum holder. Use to handle a RIMMED 55-gallon (210 liter) plastic or fiber drum.

Kit # 4560-P - Top Rim Clamp Assembly

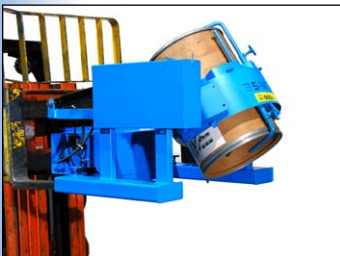
To handle a 55-gallon (210 liter) plastic drum with top rim, you must install either the Bracket Assembly or Top Rim Clamp.



#### Bracket Assembly

The **Bracket Assembly** provides a brace at top and bottom of your drum to prevent it from slipping length-ways in the drum holder. It adjusts for 31" to 39" (79 to 99 cm) tall drum. The Bracket Assembly is required to handle a RIMLESS plastic drum. It is also recommended to more securely handle a fiber drum.

Kit # 4556-P - Bracket Assembly



#### Diameter Adapters

For a smaller diameter drum, Diameter Adapters install easily without tools and are quickly removed. Quickly insert the correct size Diameter Adapter into the drum holder. Simply remove it to return to handling a 55-gallon (210 liter) drum.

Diameter Adapters for 17.5" (44.5 cm) diameter or smaller have brackets at top and bottom of the drum. They adjust for a drum up to 38" (95.5 cm) tall.

#### Standard Wired Pendant Drum Tilt Control

Model 285A-BP provides 12V battery-powered drum tilt with 2-button control pendant on a 10 foot (305 cm) cord. You control drum pouring with pushbutton ease while in your truck. Fully invert drum to completely empty the contents. Drum tilt may be started, stopped or reversed at any point in the 180° range.

Model 285A-BP Forklift-Karrier has its own battery. No power connection or truck modification is required. Separate charger is included.



#### Option 4804i-P Factory Installed Wireless Drum Tilt Control

Safe, simple and reliable wireless machine control. Approximately 300 foot (91 m) operating range featuring 900MHz frequency hopping technology for eliminating interference from other RF sources. Easily switch between direct wire pendant control and wireless remote control. Quick DC power disconnect for locking out the equipment.

Option # 4804i-P - Factory installed Wireless Control on model 285A-BP

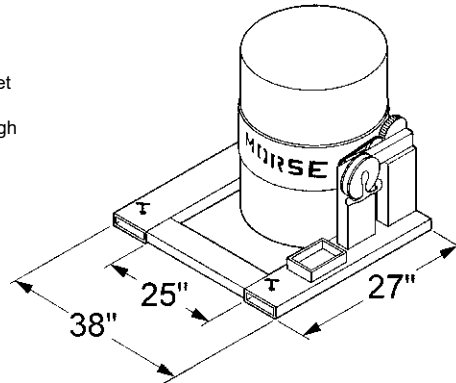
Kit # 4804-P - Kit for customer to install Wireless Control on model 285A-BP



**Forklift-Karrier Dimensions**

Requires 25" between your forks, as fork pocket openings are 25" (63.5 cm) apart.  
Each fork pocket opening is 6.5" wide x 2.5" high (16.5 x 6.4 cm)  
Fork pockets are 26.5" (67.3 cm) deep

Ships fully assembled.  
Domestic ship dimensions:  
L42" W40" H 27" (107 x 102 x 69 cm)  
Domestic ship weight: 355 Lb. (161 kg)



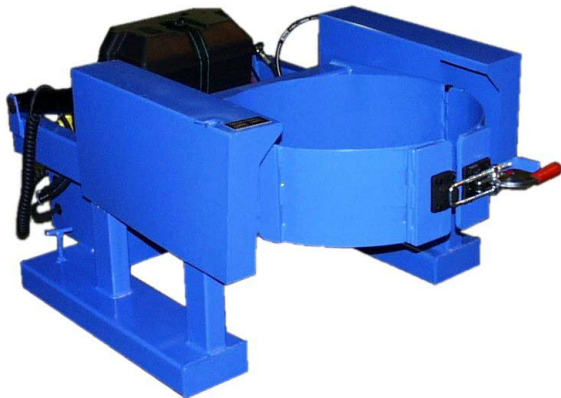
**Model 285A-BP**

Model #	Description	Capacity	Drum Diameter
<b>285A-BP</b>	Fortklift-Karrier with battery power tilt control	1500 Lb. (680 kg)	22" to 23.5" (56 to 59.7 cm)

NOTE: 12V Deep Cycle Lead Acid Battery is designed for domestic shipment only. For export shipment, choose the following battery option:

- Option "NB" No Battery. Customer must obtain battery before use... Exide # 27MDP 12V Deep Cycle Battery or equivalent.

Option #	Description	Capacity	Drum Diameter
<b>4804i-P</b>	Factory Installed Wireless Remote Tilt Control	-	-
<b>5115i-P</b>	Factory Installed Web Strap and Ratchet	1500 Lb. (680 kg)	-
<b>4560-P</b>	Top Rim Clamp for RIMMED 55-gallon plastic drum	-	22" to 23.5" (56 to 59.7 cm)
<b>4556-P</b>	Bracket Assembly for RIMLESS 55-gallon plastic drum	-	19" to 23.5" (48.3 to 59.7 cm)
<b>55/30 Series</b>	Diameter Adapters (choose correct size for each drum)	-	See Diameter Adapter spec sheet



**Super-Duty Model 285XBP**

**Forklift-Karrier with 2500 Lb. (1134 kg) Capacity and Battery Power Tilt**

Model 285XBP to lift and pour a drum weighing up to 2500 Lb. (1134 kg) with the convenience of battery powered tilt control.

Extra heavy-duty 3-piece drum holder with toggle clamp closure to secure drum.

It can also be ordered with the wireless tilt control factory installed Option # 48048i-P

Domestic ship dimensions: L42" W40" H 27" (107 x 102 x 69 cm)  
Domestic ship weight: 500 Lb. (227 kg)

**Model 285XBP**

Model #	Description	Capacity	Drum Diameter
<b>285XBP</b>	Fortklift-Karrier with battery power tilt control	2500 Lb. (1134 kg)	22.5" (57 cm)

Option #	Description	Capacity	Drum Diameter
<b>4804i-P</b>	Factory Installed Wireless Remote Tilt Control	-	-

Accessory	Description	Capacity	Drum Diameter
<b>55/30-19GR</b>	Diameter Adapter for 30-gallon (114 liter) drum	-	18.5" to 19" 47 to 48.3 cm)