

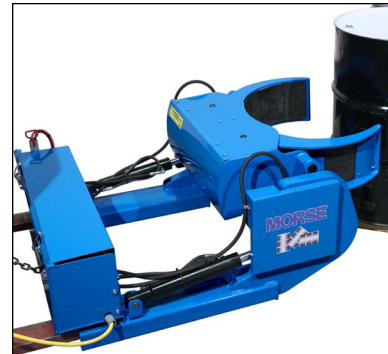


GET a **GRIP+GO™**

**Power-Grip Fork Mount Drum Handler**  
Lift, Move and Pour a drum right from your forklift

**FULLY invert drum**  
**Turn forward 180°**

- Model 290F GRIP+GO™ shown with
- Model 5-VF-45-23 Drum Cone
- Model 7-23 Clamp Collar
- Model SG Slide Gate



Grab a drum off pallet, floor, rack, etc.

Handle steel, plastic or fiber drum.

Requires 25" (63.5 cm) between forks. Each fork pocket opening is 2.5" (6.35 cm) high by 6.5" (16.5 cm) wide.



Lift drum with forklift. Handle a 15 to 55 gallon drum (55 to 210 liter drum) with 14" to 24" (35.6 to 61 cm) diameter.

Grip drum with 8" x 16" (20 x 41 cm) jaws.

Capacity: 1500 Lb. (680 kg)



Control drum pouring angle.

Tilt drum down BETWEEN the forks, close to forklift.

Compact design for tight turning radius, weighs only 630 Lb. (286 kg) for minimal lost load on forklift.

Place a drum onto a Morse drum roller.

Then lift your drum off the roller when done mixing the contents.

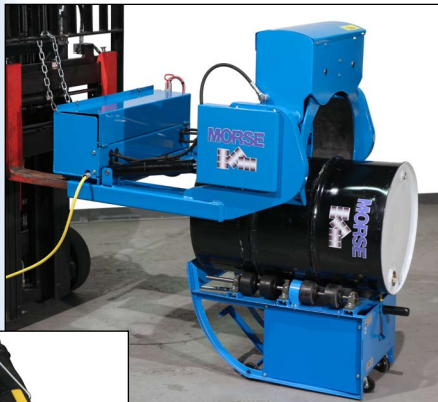
Pendant to control GRIP and TILT functions has built-in safety features.

Self-contained 12V battery power.

Option # 6149I-P wireless control available.

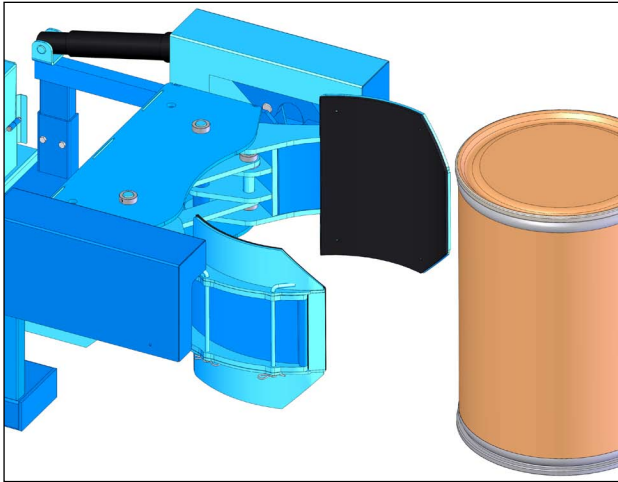
NOTE: 12V Deep Cycle Lead Acid Battery is designed for domestic shipment only. For export shipment, choose one of the following battery options:

- **Option "NB" No Battery.** Customer must obtain battery before use... Exide # 27MDP 12V Deep Cycle Battery or equivalent.
- **Option "DB" Dry Battery.** Customer must fill with 6 quarts of battery acid before use.



**MADE IN USA**

**Options for Model 290F**



**Option # 6172-P**  
**Grip Pads Required for Plastic or Fiber Drum**

Option # 6172-P Grip Pads Required for plastic or fiber drum provide 75% more grip surface. Grip surface material is high friction SBR Rubber Polymer.

MADE  
IN  
USA



**Option # 6149i-P**  
**Wireless Drum Tilt Control**

Safe, simple and reliable wireless machine control. Approximately 300 foot (91 m) operating range featuring 900MHz frequency hopping technology for eliminating interference from other RF sources. Easily switch between direct wire pendant control and wireless remote control. Quick DC power disconnect for locking out the equipment.

- **Option # 6149i-P**  
Wireless Control factory installed on new unit
- **Kit # 6149-P**  
Kit to field install Wireless Control on your model 290F



**Option # GB Green Battery**

- Environmentally friendly Lithium Iron Phosphate Rechargeable Battery. No harmful gas or acid leaks and spills.
- Lighter than conventional lead-acid starting battery
- Up to 2000 cycles, providing up to 8 times longer cycle life than lead-acid battery
- No maintenance - Store up to 1 year without recharge
- Typical design life of 5 years

Environmentally friendly battery contains no poisonous lead, no acid, and does not create gasses during charge, which regular lead-acid batteries do. Compared to lead-acid, green battery is super light, has much lower self-discharge, and does not sulfate.

Rechargeable 12.8V 100Ah Battery requires no change to lead acid battery charging system.

**Model 290F**

Product weight: 630 Lb. (286 kg)  
 Domestic ship weight: 784 Lb. (356 kg)  
 Domestic ship dimensions: L51" x W46" x H38" (130 x 117 x 97 cm)

MADE  
 IN  
 USA

