

### Model 42 Drum Lifting Hook

Heavy-duty drum lifting hook for use on hoist hook or fork mounted hook. Handle open top or tight head, 55-gallon (210 liter) steel drum. Forged hooks engage rims at opposite ends of drum. A pair of alloy steel lifting rings provides two modes of lifting.

- Horizontal Mode:** Move a horizontal drum. Use lifting ring at the middle of assembly.
- Off-Vertical Mode:** To transfer a drum from upright to horizontal and vice versa. To lift an upright drum, first place the rod-end hook under bottom rim of the drum. Then lift by ring the on the outer end of the alloy chain. As drum leaves the floor, it tilts to off-vertical attitude. You can then lower drum, and guide it to either horizontal or vertical position.

Capacity: 2000 Lb. (907 kg).

### Model 42-G Galvanized Drum Lifting Hook

Similar to Model 42, but hot dip galvanized finish provides a tough, rust resistant, long life in industrial and marine environments.

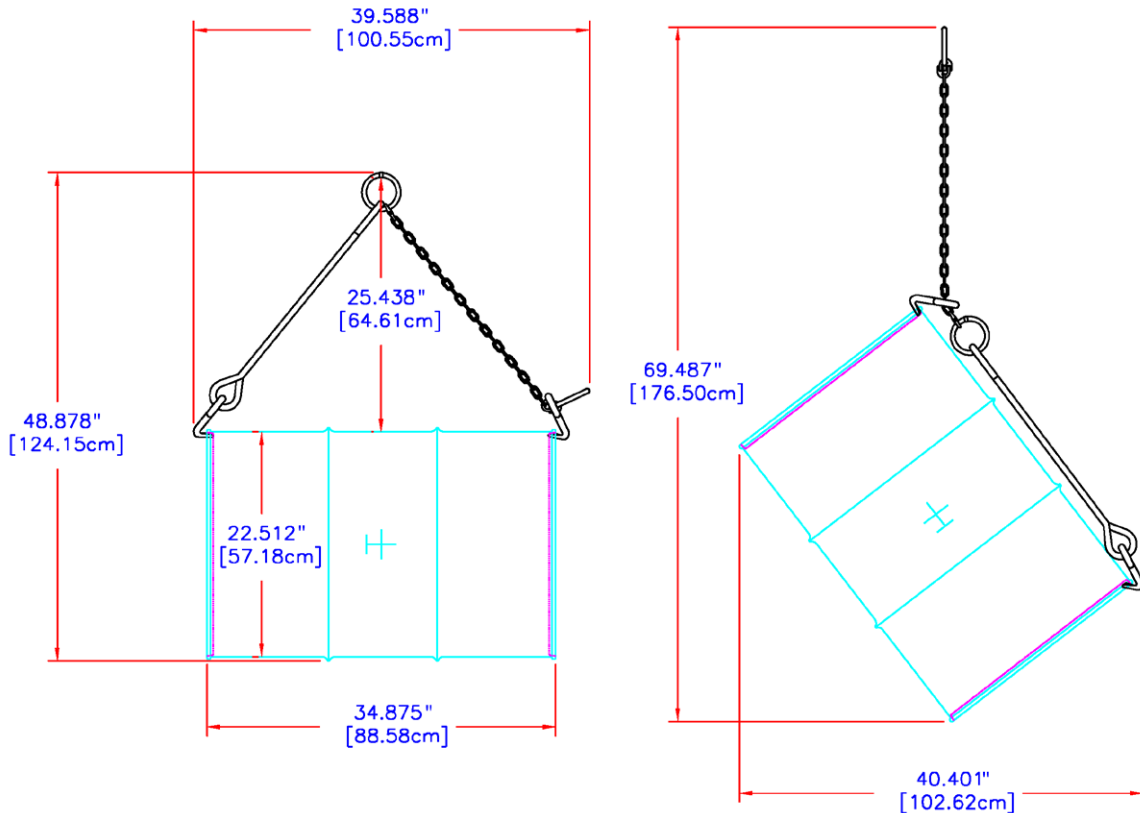
Capacity: 2000 Lb. (907 kg).

**NOTE:** Each and every Morse model 42 and 42-G is load tested and factory certified at 200% of rated capacity as per American National Standard ASME B30.9, and a load test certificate is enclosed with each unit.

1. Horizontal Mode



2. Off-Vertical Mode



MADE  
IN  
USA