

Lift a Drum with Your Crane

Model 86
made of
carbon steel
painted blue



Safety Conscious Lifters with Under-Drum Support

- Attach to crane, monorail or hoist
- Set drum on bottom support
- Secure chain around drum
- Lift steel, plastic or fiber drum
- Capacity: 1000 Lb. (454 kg)

Lift and Transport Steel, Plastic or Fiber Drum:

- 22" to 23.5" (55.9 cm to 59.7 cm) diameter
- 23" to 38" (58.4 cm to 96.5 cm) tall
- Accepts Diameter Adapters for smaller drum down to 14" (35.6 cm) diameter

Where is this drum lifter used?

- Docks and mezzanines
- Oil rigs and other marine applications
- Construction sites

Model 86-SS
made of
type 304
stainless steel



Attach the drum lifter to your hoist or crane hook to lift and move an upright drum.

You may also attach it to your forklift with Morse model 284 Fork Hook.

Secure drum with web strap and ratchet positive grip mechanism around the drum. Drum is supported from below by a bar at the bottom. This ensures that your drum will be transported safely with no chance of sliding out. No tools are necessary.

Once loaded, the unit carries the drum without tilting it.

Each Model 86 and 86-SS is load tested at the factory at 125% of rated capacity as per American National Standard ASME B30.20. A load test certificate is shipped with each unit.



Model 284 Fork Hook

86 Series Drum Lifters		
Model #	Description	Capacity
86	Drum Lifter with web strap around drum	1000 Lb. (454 kg)
86-SS	Stainless Steel Drum Lifter with web strap around drum	1000 Lb. (454 kg)

MADE
IN
USA

Options, Kits and Accessories



Factory Installed Option # 6314i-P (shown left)
 Cinch Chain and Ratchet on new model 86

Factory Installed Option # 6314SSi-P
 Stainless Steel Cinch Chain and Ratchet on new model 86

Cinch Chain option is preferred in applications with caustic or abrasive materials. Alloy cinch chain is longer lasting, and more resistant to wear, heat, chemicals, etc.

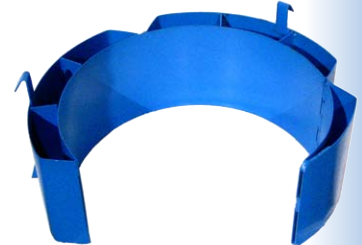
Kit # 6314-P
 Cinch Chain and Ratchet
 for customer to install on model 86



Kit # 6314SS-P (shown right)
 Stainless Steel Cinch Chain and Ratchet
 for customer to install on model 86-SS

55/30 Series
 Diameter Adapters for Smaller
 Drums

Install the correct size Diameter Adapter for each drum.



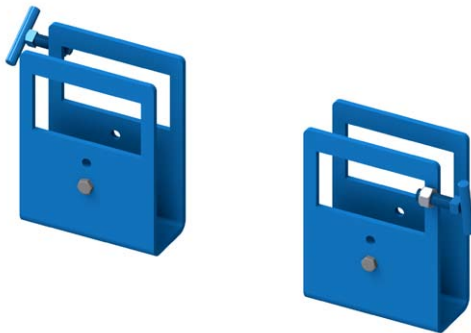
**MADE
 IN
 USA**

Fork Pocket Kit

Fork Pocket Kit # 6315-P

Add fork pockets to below-hook drum handler.
 Install on model 85A, 85G, 85i, 86, 185A, 185G,
 185A-HD or 185G-HD.

NOT for model with spark resistant parts.

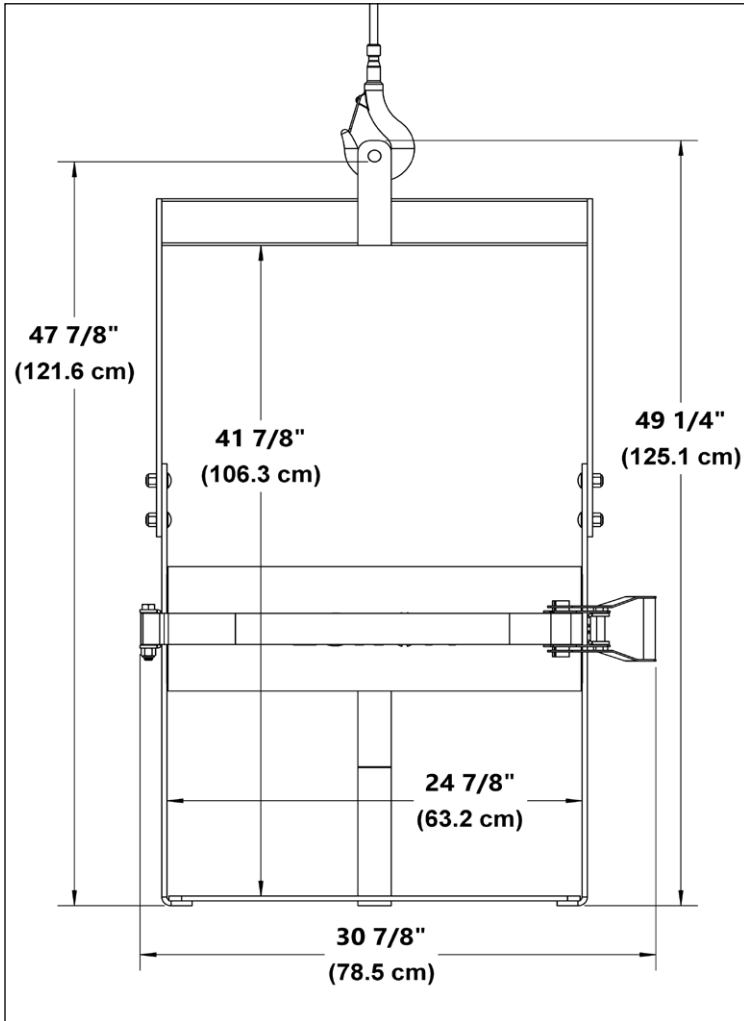


Kit 6315-P
 installed
 on model
 185A

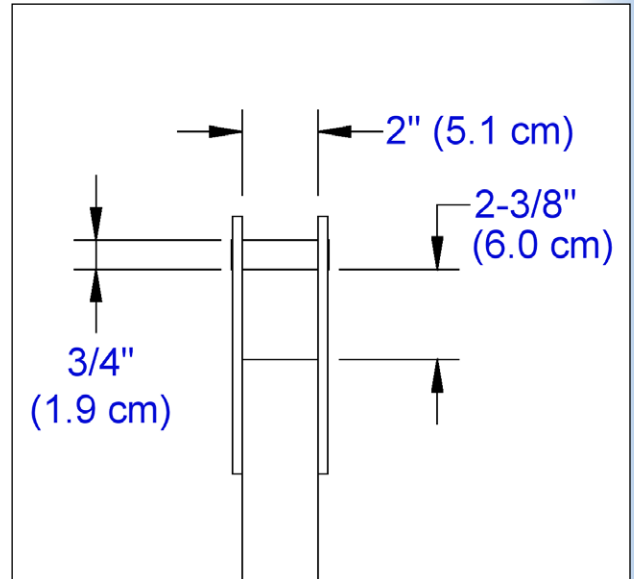


Dimensions

Drum Lifter Dimensions for Model 86 and Model 86-SS



Lifting Eye Detail



MADE
 IN
 USA

~ ~ Custom Drum Lifters ~ ~



MADE
IN
USA

Custom Drum Lifters				
Model #	Description	Capacity	Domestic Ship Weight	Domestic Ship Dimensions
86S-2D	Drum Lifter for 2 drum	1,000 Lb. (454 kg) per drum	180 Lb. (81.6 kg)	L48" x W40" x H57" (122 x 102 x 145 cm)
86S-2LP	Drum Lifter with 2 lifting points	1,000 Lb. (454 kg)	65 Lb. (29.5 kg)	L28" x W19" x H30" (71 x 48 x 76 cm)
86S-3LP	Drum Lifter with 3 lifting points	1,000 Lb. (454 kg)	72 Lb. (34 kg)	L28" x W19" x H30" (71 x 48 x 76 cm)
86S-FP	Drum Lifter with added fork pockets	1,000 Lb. (454 kg)	118 Lb. (53.5 kg)	L37" x W33" x H37" (94 x 84 x 94 cm)
86S-FPHD	Heavy-Duty Drum Lifter with added fork pockets	2,000 Lb. (907 kg)	241 Lb. (109 kg)	L37" x W33" x H58" (94 x 84 x 147 cm)