

**Lift a Rimmed 55-Gallon Steel Drum with Your Crane**

**Model 90-SS**



**Model 90**



MADE  
IN  
USA

Grab and lift a 55-gallon (210 liter) steel drum by gripping under the top rim. Then move and place your drum almost anywhere. You only need to operate your hoist to guide drum grab into position. This saves operator time and protects against dangerous climbing.

- Lower Vert-Karrier onto the top of drum. Then, as the drum grab is elevated it automatically grips under the drum top rim.
- When the drum is lowered to the ground, the drum grab carriage drops down and automatically locks in the open position, releasing the load. The drum picker grip will not disconnect until drum is fully down.
- The Verti-Karrier is then ready to lift the next drum.

**90 Series Verti-Karrier Operation**

1. Attach Verti-Karrier to hoist hook. Automatic latch keeps drum lifter grippers open until it settles on top of the drum.
2. Lower onto top of drum. The open grippers and cross plates help it settle on drum. Latch automatically shifts to activate drum grip.
3. Raise hoist to close the grippers and lift the drum. Grippers press equally on both sides of the drum.
4. Move drum with hoist.
5. Lower hoist to place drum. The Verti-Karrier maintains tight grip until drum weight is fully down. It then releases the deposited drum and remains open to repeat the lifting cycle.

- Engages Under Top Rim of Steel Drum
- Alternating Grip and Release Mechanism
- Load Drum in Hard-To-Reach Areas
- Requires Drum Top to be on and Secure
- Capacity: 1000 Lb. (454 kg)



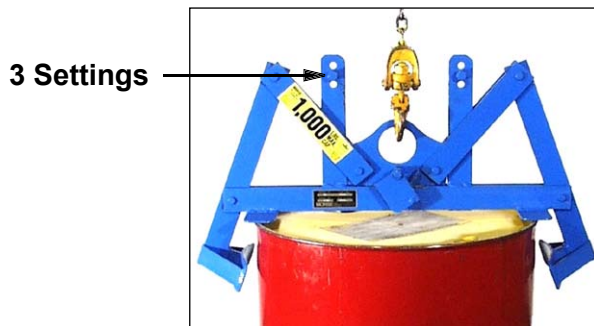
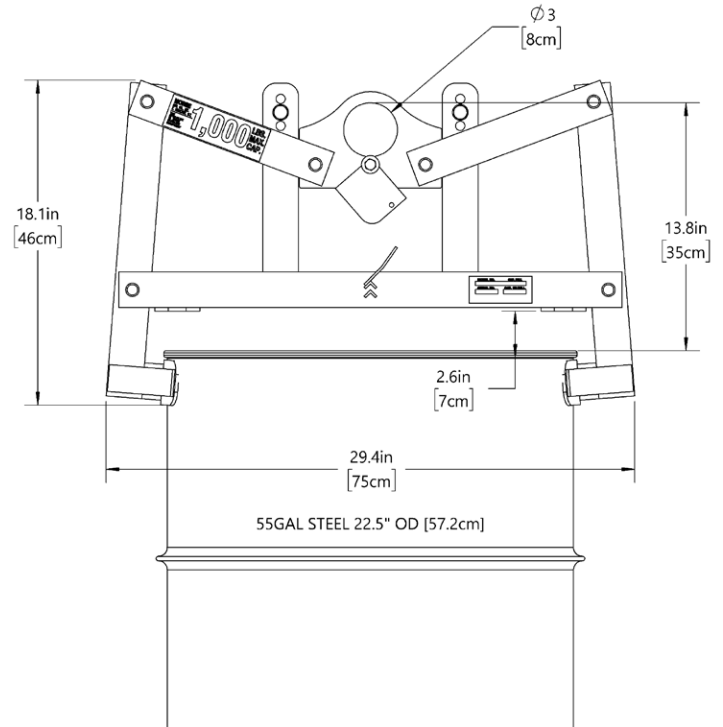
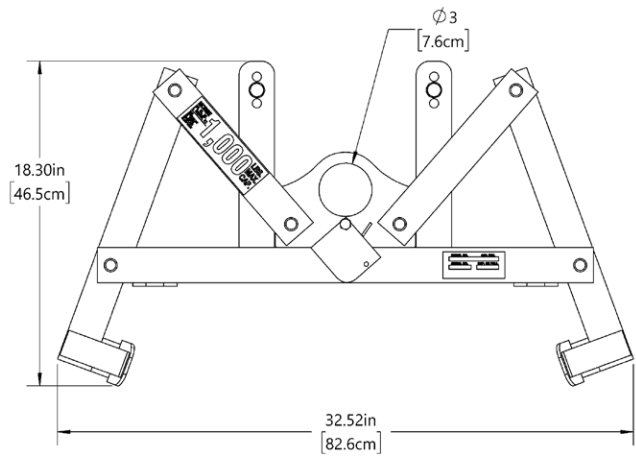
Load an upright drum onto a 456 Series Hydra-Lift Drum Roller

**Vert-Karrier Drum Lifters for STEEL Drum with Lid ON & SECURE**

Model #	Description	For Diameter Range
90	For 55-gallon (210 liter) drum	22-1/16" to 22-7/16" (56 to 57 cm)
90M	Spark Resistant Monel for 55-gallon (210 liter) drum	22-1/16" to 22-7/16" (56 to 57 cm)
90-SS	T304 Stainless Steel for 55-gallon (210 liter) drum	22-1/16" to 22-7/16" (56 to 57 cm)
90-30	For 30-gallon (114 liter) drum	18-1/16" to 18-7/16" (45.9 to 46.8 cm)
90-85	For 85-gal. (322 liter) steel overpack or salvage drum	25-15/16" to 26-7/16" (65.9 to 67.2 cm)

**Dimensions**

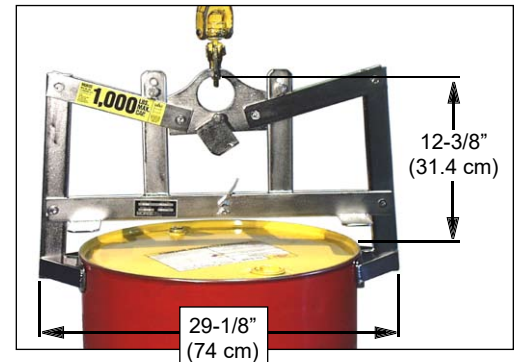
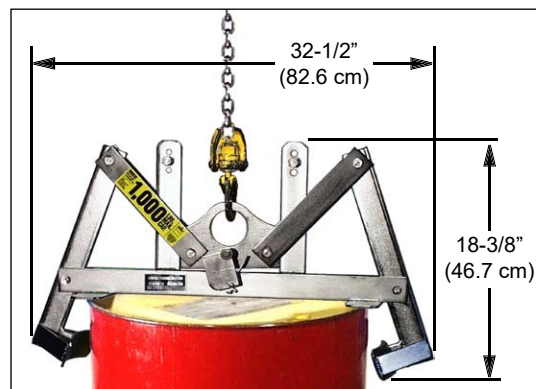
MADE  
IN  
USA



90 Series Vert-Karriers have 3 different settings, and should be adjusted to grip the sidewall under the rim of your drum.

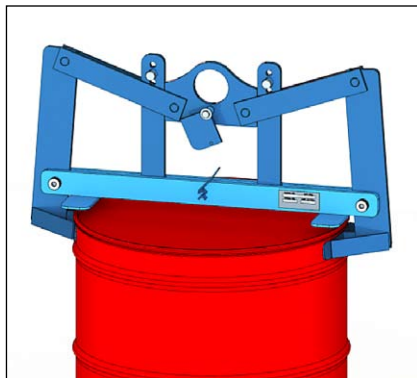
Model 90, 90-SS and 90M

- Top hole for 22-1/16" (56 cm) diameter
- Middle hole (shown left) for 22-3/16" (56.4 cm) diameter
- Bottom hole for 22-7/16" (57 cm) diameter



**Custom Model**

MADE  
IN  
USA



**Custom model # 90S-HD**

Heavy-Duty Verti-Karrier  
for 2000 Lb. (907 kg) drum

The greater capacity is achieved by manufacturing this drum lifter with larger, stronger materials. The arms are wider, the base and grip pads are thicker.