

Enclosures with Safety Interlock

**Enclosures with Safety Interlock
Help You Comply with OSHA Requirements
(Drum Tumblers Sold Separately)**

Enclosures for Morse End-Over-End Drum Tumblers have a safety interlock to automatically shut off the drum tumbler when the gate is opened. Open the enclosure gate, secure your drum into the drum holder, then close the gate to allow operation. Mount control box outside cage.

Outside post-to-post Dimensions:

Enclosures for Double End-Over-End Drum Tumblers:
L92" W52" H63.25" (234 x 132 x 161 cm)

Install all Morse Drum Rotators in accordance with OSHA requirements for enclosure and safety interlock, etc. Drum roller automatically turns off when enclosure door is opened.

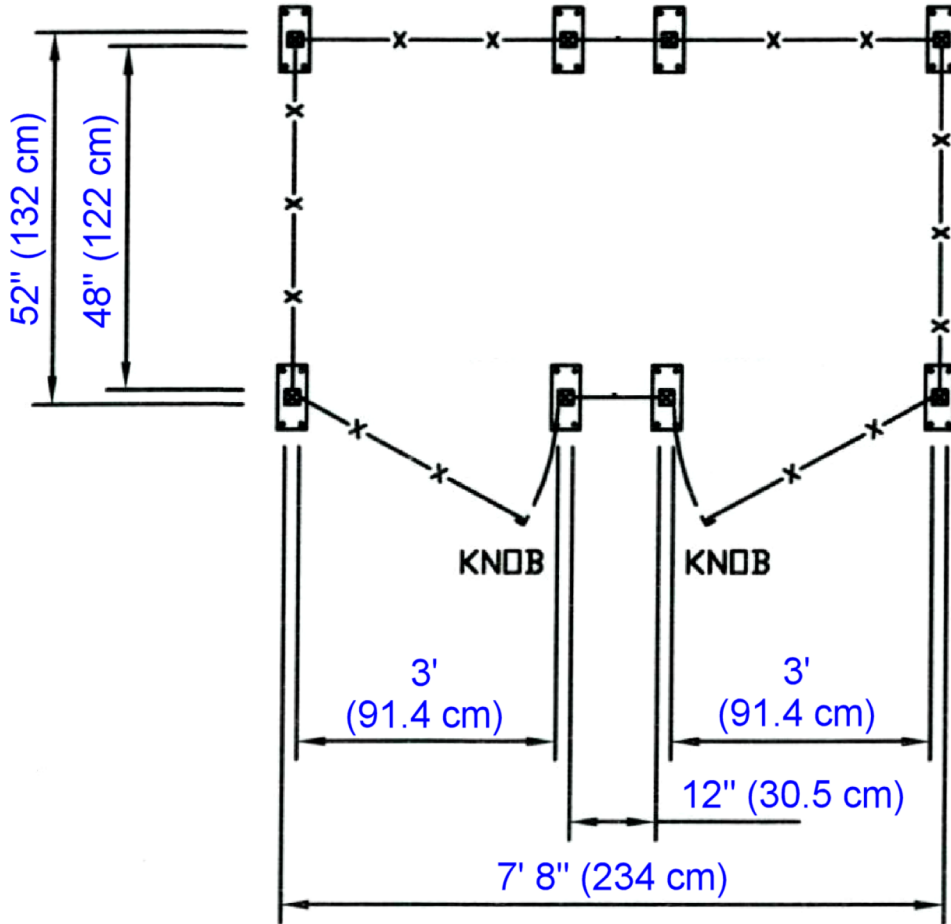
For OSHA compliance, see OSHA subpart O.1910.212(a)(4) "Barrels, containers, and drums. Revolving drums, barrels, and containers shall be guarded by an enclosure which is interlocked with the drive mechanism, so that the barrel, drum, or container cannot revolve unless the guard enclosure is in place."

Power connections and motor controls must comply with applicable codes.



MADE
IN
USA

Dimensions of Enclosures for Double End-Over-End Drum Tumblers



PLAN 5' 3.25" (161 cm) HEIGHT

Enclosures for DOUBLE Drum Tumblers			
Parts List			
Qty.	Width	Height	Description
2	12" (30.5 cm)	5' 0" (152 cm)	Wire Mesh Panel
2	3' (91.4 cm)	5' 0" (152 cm)	Wire Mesh Panel
2	48" (122 cm)	5' 0" (152 cm)	Wire Mesh Panel
2	2' 10-7/8" (88.6 cm)	5' 0" (152 cm)	Hinge Door
6	2" (5.1 cm)	5' 3.25" (161 cm)	Corner Post
2	2" (5.1 cm)	5' 3.25" (161 cm)	Run Post

MADE
IN
USA



The Specialist In Drum Handling Equipment

Enclosures with Safety Interlock for End-Over-End Drum Tumblers

Guard Enclosure Kit # for Field Installation (Drum Tumbler Sold Separately)	Fits Drum Tumbler Model # (Sold Separately)	Gate Switch	Domestic Ship Weight	Domestic Ship Dimensions
GEK-2-300-1-115	2-300-1-115	AC	500 Lb. (227 kg)	L101" W31" H66" (257 x 79 x 168 cm)
GEK-2-300-1-220-50	2-300-1-220-50	AC	500 Lb. (227 kg)	L101" W31" H66" (257 x 79 x 168 cm)
GEK-2-300-1-230	2-300-1-230	AC	500 Lb. (227 kg)	L101" W31" H66" (257 x 79 x 168 cm)
GEK-2-300-3-220-50	2-300-3-220-50	AC	500 Lb. (227 kg)	L101" W31" H66" (257 x 79 x 168 cm)
GEK-2-300-3-230	2-300-3-230	AC	500 Lb. (227 kg)	L101" W31" H66" (257 x 79 x 168 cm)
GEK-2-300-3-380-50	2-300-3-380-50	AC	500 Lb. (227 kg)	L101" W31" H66" (257 x 79 x 168 cm)
GEK-2-300-3-440-50	2-300-3-440-50	AC	500 Lb. (227 kg)	L101" W31" H66" (257 x 79 x 168 cm)
GEK-2-300-3-460	2-300-3-460	AC	500 Lb. (227 kg)	L101" W31" H66" (257 x 79 x 168 cm)
GEK-2-300-3-575	2-300-3-575	AC	500 Lb. (227 kg)	L101" W31" H66" (257 x 79 x 168 cm)
GEK-2-300-A	2-300-A	Air Switch	500 Lb. (227 kg)	L101" W31" H66" (257 x 79 x 168 cm)
GEK-2-300-E1-115	2-300-E1-115	AC Explosion proof *	500 Lb. (227 kg)	L101" W31" H66" (257 x 79 x 168 cm)
GEK-2-300-E1-220-50	2-300-E1-220-50	AC Explosion proof *	500 Lb. (227 kg)	L101" W31" H66" (257 x 79 x 168 cm)
GEK-2-300-E1-230	2-300-E1-230	AC Explosion proof *	500 Lb. (227 kg)	L101" W31" H66" (257 x 79 x 168 cm)
GEK-2-300-E3-220-50	2-300-E3-220-50	AC Explosion proof *	500 Lb. (227 kg)	L101" W31" H66" (257 x 79 x 168 cm)
GEK-2-300-E3-230	2-300-E3-230	AC Explosion proof *	500 Lb. (227 kg)	L101" W31" H66" (257 x 79 x 168 cm)
GEK-2-300-E3-380-50	2-300-E3-380-50	AC Explosion proof *	500 Lb. (227 kg)	L101" W31" H66" (257 x 79 x 168 cm)
GEK-2-300-E3-440-50	2-300-E3-440-50	AC Explosion proof *	500 Lb. (227 kg)	L101" W31" H66" (257 x 79 x 168 cm)
GEK-2-300-E3-460	2-300-E3-460	AC Explosion proof *	500 Lb. (227 kg)	L101" W31" H66" (257 x 79 x 168 cm)
GEK-2-300-E3-575	2-300-E3-575	AC Explosion proof *	500 Lb. (227 kg)	L101" W31" H66" (257 x 79 x 168 cm)
GEK-2-300VS-1-115	2-300VS-1-115	AC	500 Lb. (227 kg)	L101" W31" H66" (257 x 79 x 168 cm)
GEK-2-300VS-1-230	2-300VS-1-230	AC	500 Lb. (227 kg)	L101" W31" H66" (257 x 79 x 168 cm)
GEK-2-300VS-3-230	2-300VS-3-230	AC	500 Lb. (227 kg)	L101" W31" H66" (257 x 79 x 168 cm)
GEK-2-300VS-3-460	2-300VS-3-460	AC	500 Lb. (227 kg)	L101" W31" H66" (257 x 79 x 168 cm)

* Explosion Proof rated for Class I Group D, and Class II Groups F and G

MADE
IN
USA