



# Model 185A-GR

SPECIFICATIONS SHEET

## EXTRA HEAVY-DUTY KONTROL-KARRIER

*Lift and Pour with your hoist*

### Below-Hook Drum Pourer

- Quick, sure below-hook drum handling by one person
- Save time, improve safety and productivity
- Hand operated geared tilt with fully enclosed gear box
- 360° drum tilt control in both directions
- Controlled high-level pouring
- 2000 Lb. (907 kg) Capacity

Control drum tilt with 12 foot (366 cm) pull chain loop. Resistance in enclosed gear box is sufficient to automatically stop and hold drum tilt angle. Drum holder has 9" (229 mm) wide metal band and two web straps and ratchets to secure 22.5" (572 mm) diameter steel drum.

Heavy-duty construction with steel tube framework, large shafts and bearings offer long life in tough service. Grease filled, worm gear speed reducer provides 150:1 gear reduction for fine control when dispensing a heavy drum.



MODEL	DESCRIPTION	CAPACITY	UNIT WEIGHT
185A-GR	Extra-Heavy-Duty Kontrol-KARRIER, drum holder with load binders	2000 Lb. (907 kg) full drum 1000 Lb. (454 kg) half-full drum *	186 Lb. (84.4 kg)

\* Half-full rating is an indication of capacity for tilting an unbalanced, bottom-heavy drum. Partially full drum with unbalanced, shifting load is harder to tilt than full drum.

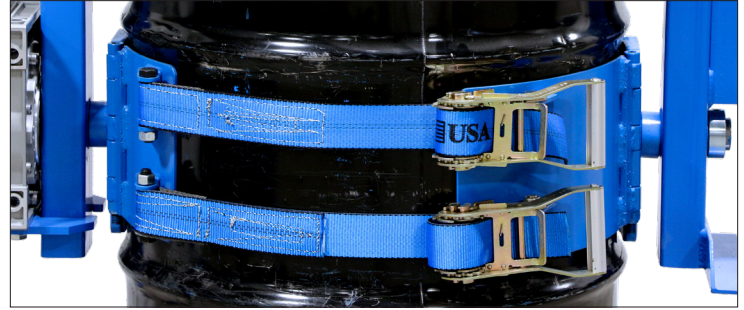


# MODEL 185A-GR

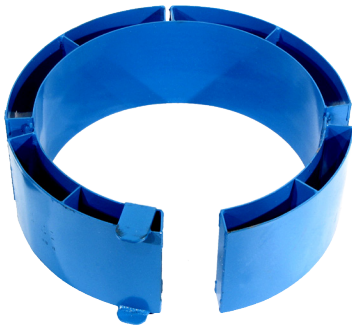
## Power-Propelled <PILOT> Drum Pourer

### SPECIFICATIONS SHEET

1. Attach hoist hook to model 185A-GR lifting point.
2. Lift and move Kontrol-Karrier to upright drum.
3. Move Kontrol-Karrier's drum holder to middle of drum.
4. Secure between drum ribs with two web straps... no tools needed.
5. Lift and move drum to pouring station with your hoist.
6. Pull down one side of chain loop while letting out other side to turn drum. Chain loop provides control of drum tilt 360° in either direction, even while drum is hoisted above reach.



## Options and Accessories



### Model 55/30-19GR

Diameter Adapter for 30-gallon (114 liter) drum  
Insert Diameter Adapter into drum holder to handle a 19" (48.3 cm) diameter steel drum.

Lift Diameter Adapter out to handle a 55-gallon (210 liter) steel drum.

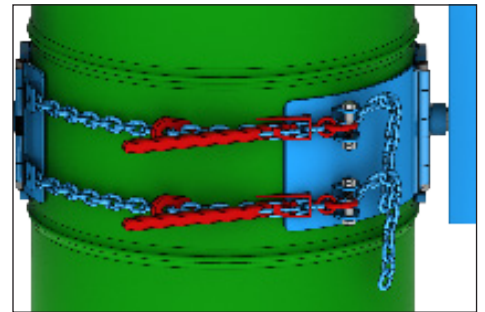


### Option X03-185GR

Factory installed 10" (25.4 cm) Diameter Hand Wheel with Speed Knob. Replaces standard chain wheel to turn drum.

### Kit 2690GR-P

10" (25.4 cm) Hand Wheel for customer to install



### Option 6214i-P

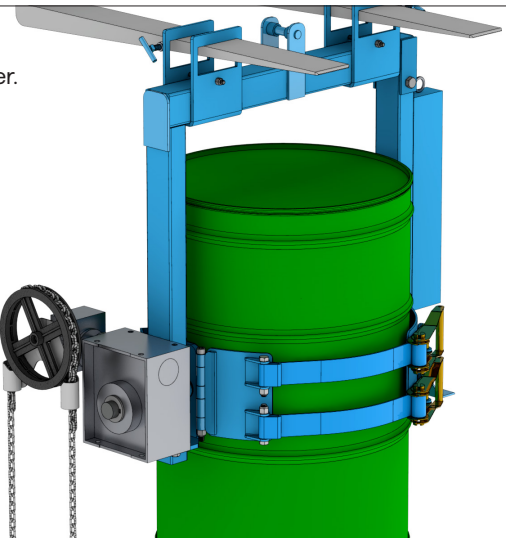
Factory installed Chains and Load Binders

### Kit 6214-P

Chains and Load Binders for customer to install

### Fork Pocket Kit 6333-P

Add fork pockets to below-hook drum handler.  
Install on model 185A-GR, 185XGR  
or on 195 Series.



**NOT** for model with spark resistant parts.



morsedrum.com



service@morsedrum.com

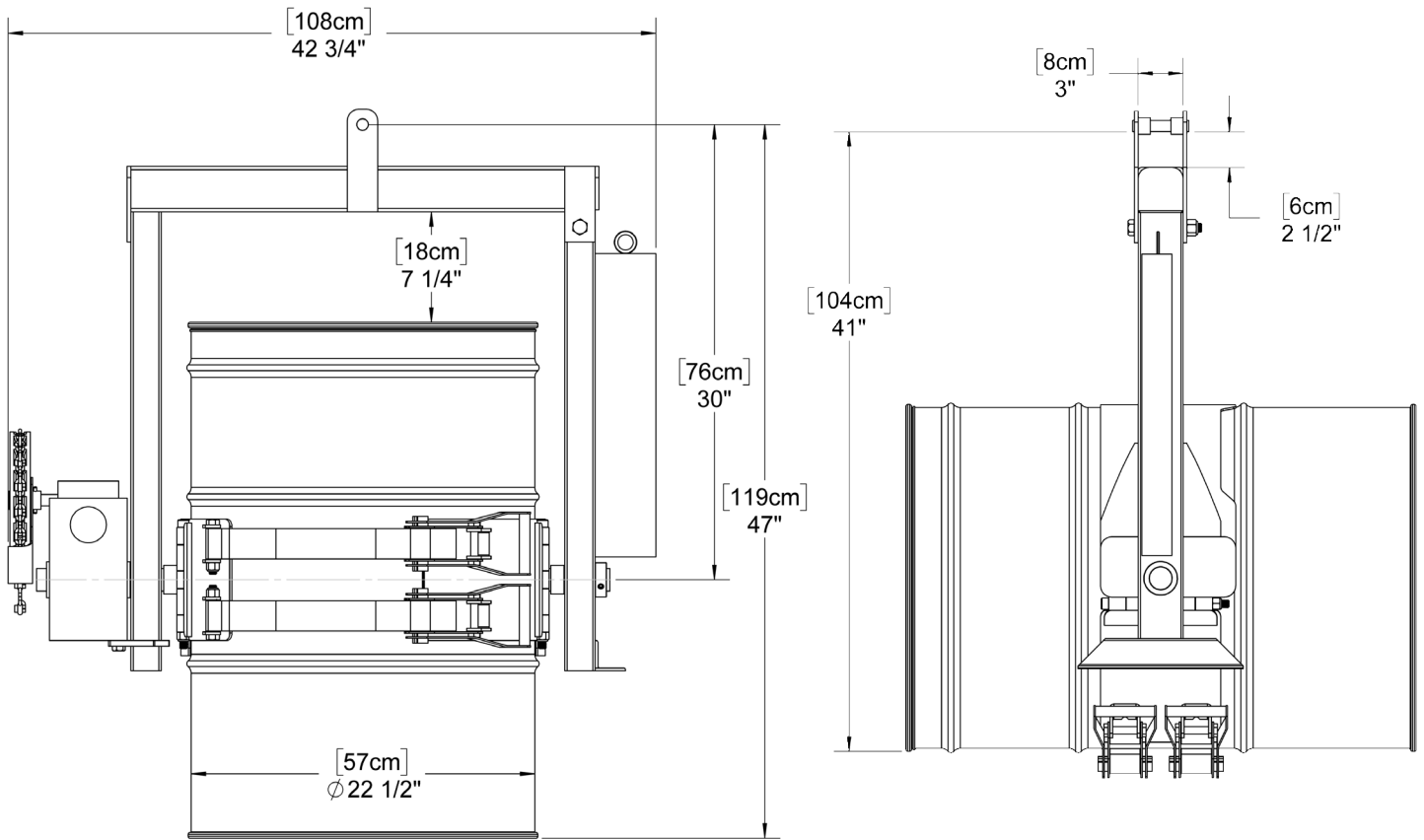


(315) 437-8475



103 Kuhn Road, Syracuse, NY, 13208 USA

# DIMENSIONS



NOTE: Standard loop of pull chain extends approximately 6 feet (1.83 m) below the chain wheel.