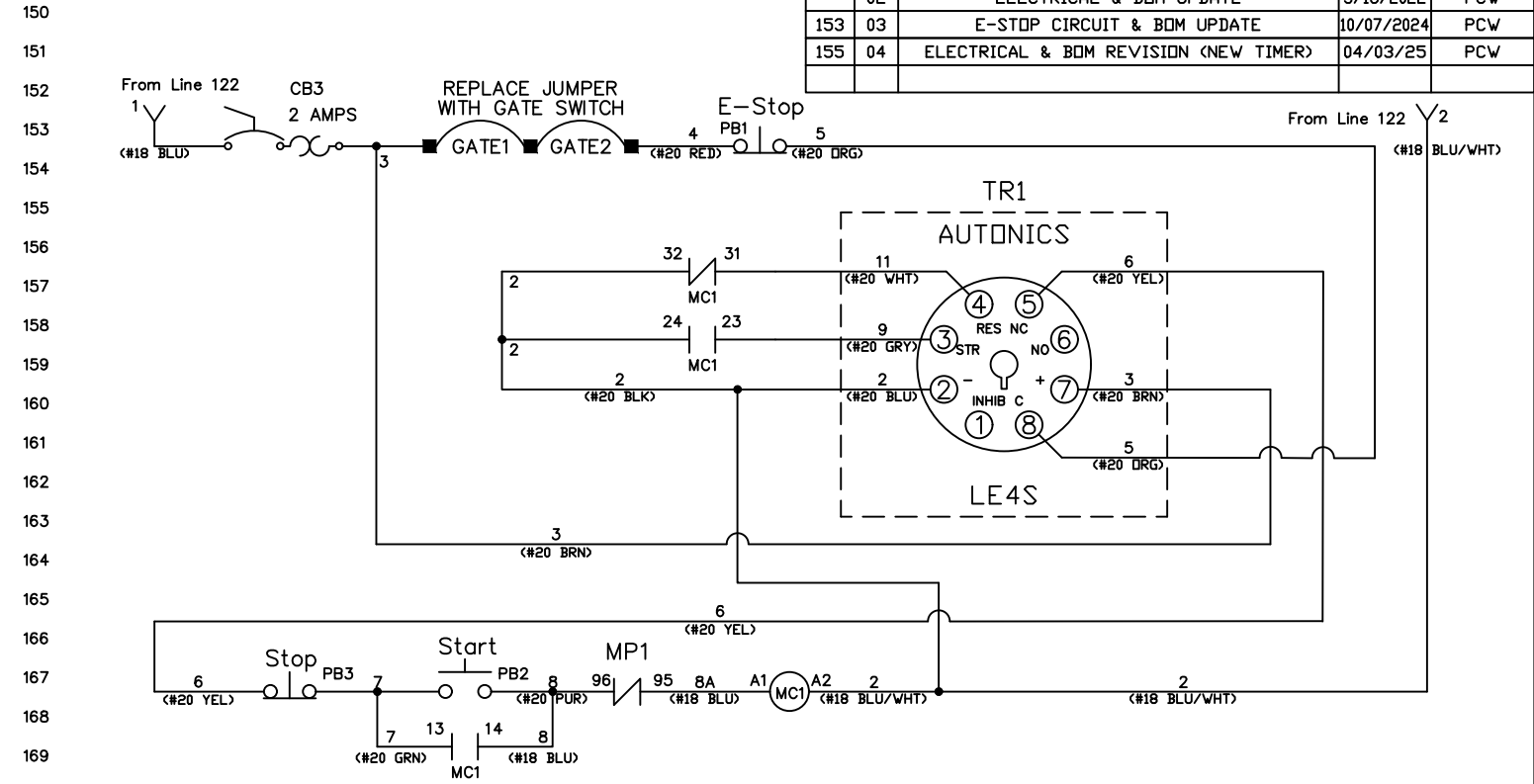
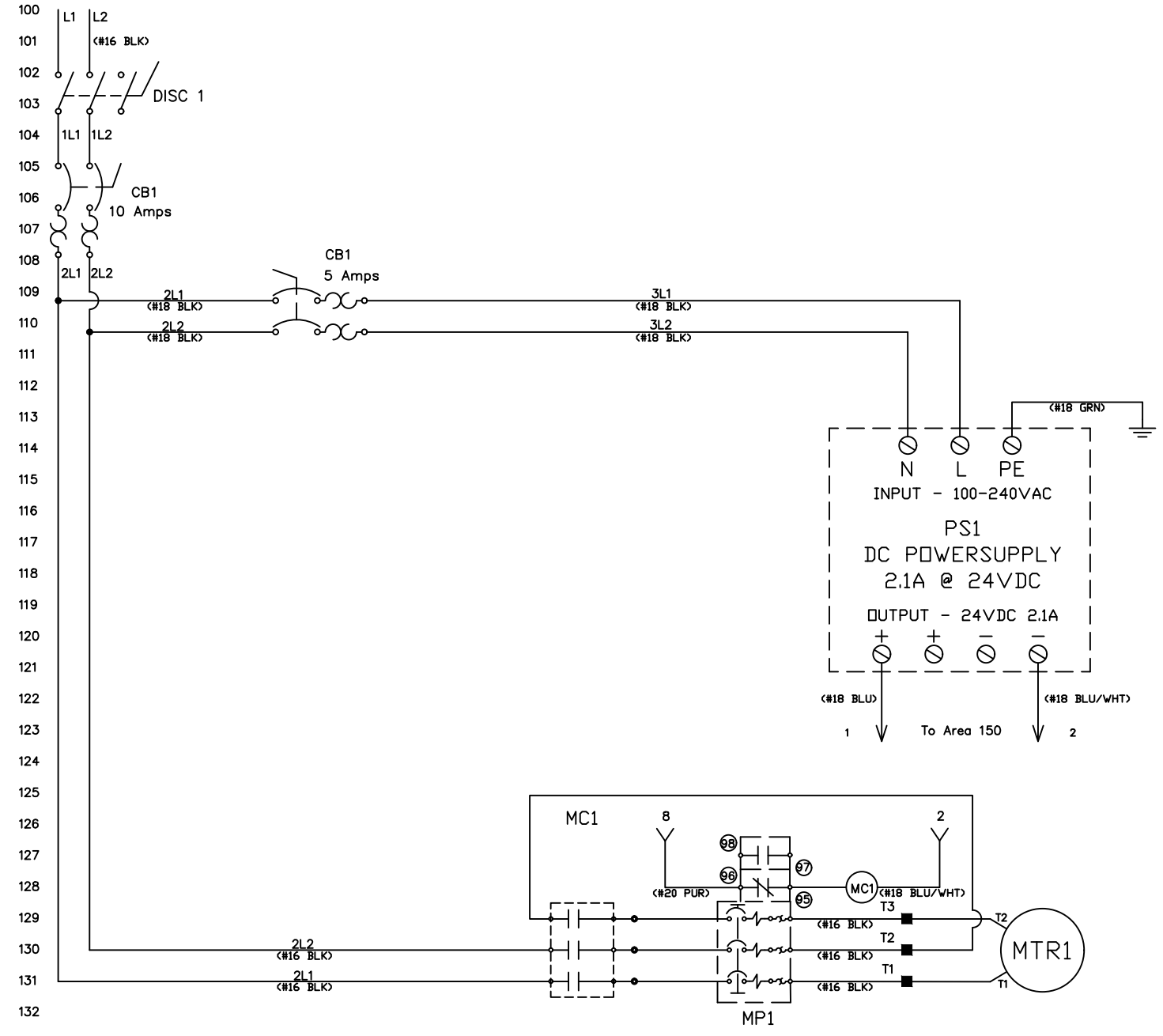


MAINS POWER
208-230 VAC 1 Phase
15 AMP



ZONE	REV	DESCRIPTION	DATE	APPROVED
-	01	BOM PARTS REVISION	7/19/2021	PCW
-	02	ELECTRICAL & BOM UPDATE	5/16/2022	PCW
153	03	E-STOP CIRCUIT & BOM UPDATE	10/07/2024	PCW
155	04	ELECTRICAL & BOM REVISION (NEW TIMER)	04/03/25	PCW

*MANUFACTURER	*PART NUMBER	DESCRIPTION	QUANTITY
Iboco	T1-0510G	WIRE DUCT	1
Iboco	OMEGA 3FAL1	DIN Rail	1
Eurobex (EXM)	5412 ESCH141206	Enclosure, NEMA 4-12, 14" x 12" x 6"	1
McMaster-Carr	5891T111	Electrical Hazard Warning Label	1
Mencom	PCG-1/2X	Cable Gland	1
Mencom	PCG-1/2	Cable Gland	2
Mencom	212PA	Nut	3
Autonics	LE4S	Digital Timer, 24-240VAC/VDC, Relay Output	1
Autonics	PG-08	8-Pin Socket	1
Sprecher+Schuh	SVL 2-24-100	Power Supply, Input 115/230VAC, Output 24VDC @ 2.1A	1
Sprecher+Schuh	CA7-9E-10-24E	Contactor	1
Sprecher+Schuh	CA7-PV-S11	Auxiliary Contact Block, 1NO/1NC	1
Sprecher+Schuh	CEP7-1EECB	Overload Relay, 1.0 to 5.0A	1
Sprecher+Schuh	D7P-E202PX01	Pushbutton, Extended Black "STOP", 1NC	1
Sprecher+Schuh	D7P-F301PX10	Pushbutton, Flush Green "START", 1NO	1
Sprecher+Schuh	D7P-MT44	E-Stop Operator, Twist-To-Release, 40mm	1
Sprecher+Schuh	D7-ALP	Latch, Plastic	1
Sprecher+Schuh	D7-X01S	Contact Block, NC	1
Sprecher+Schuh	D7-15YSE112	E-Stop Inscription Ring	1
WEG	MSW 40 B-3 H	Base Mounted 3 Pole Switch w/Handle & Shaft	1
Sprecher+Schuh	L9-10/3/D	Circuit Breaker, 10 Amp, D-Curve	1
Sprecher+Schuh	L8-5/2/B	Circuit Breaker, 5 Amp, B-Curve	1
Sprecher+Schuh	L8-2/1/B	Circuit Breaker, 2 Amp, B-Curve	1
Sprecher+Schuh	V7-WG4	Ground Terminal	1
Sprecher+Schuh	V7-W4	Terminal	9
Sprecher+Schuh	V7-EA35	End Anchor	9
Sprecher+Schuh	V7-EB3	End Barrier	1
Sprecher+Schuh	V7-PP3	Partition	2
Sprecher+Schuh	V7-CJ6-2	Center Jumper	1
Sprecher+Schuh	V7-SM6X12	Marker Card	1
		Legend Plate, 0.75" x 0.75", "0"	1
		Legend Plate, 0.75" x 0.75", " "	1

TIMER SETTINGS		
PARAMETER	DISPLAY	SETTING
Output operation mode	oUtOn	oNd
Time Range	t-rnG	99 ^h 59 ^m
Time UP/DOWN	U-d	dN
Width of min. input signal	i nE	20
Backlight	bLU	oN
Key lock	LoCK	LoFF

*FUNCTIONALLY EQUIVALENT COMPONENTS MAY BE SUBSTITUTED

DRAWN BY	PCW
CHKD BY	PCW
DATE DRAWN	05/21/21
DATE CHKD	04/21/2025



103 Kuhn Rd, Syracuse, NY 13208
PHONE 315-564-4347 FAX 315-437-1029

THIS MATERIAL IS THE EXCLUSIVE PROPERTY OF MORSE MANUFACTURING COMPANY INC. AND MUST BE RETURNED TO MORSE IMMEDIATELY UPON REQUEST. THIS MATERIAL AND INFORMATION ILLUSTRATED OR CONTAINED HEREIN MAY NOT BE REPRODUCED, COPIED, USED, OR TRANSMITTED IN ANY MANNER OR BY ANY MEANS WITHOUT THE PRIOR WRITTEN CONSENT OF MORSE MANUFACTURING COMPANY INC.

TITLE	MORSE 6493-P (ELECTRICAL)	DWG NO.	AAC1052121B	SHEET	1 of 1	REV	04
-------	---------------------------	---------	-------------	-------	--------	-----	----