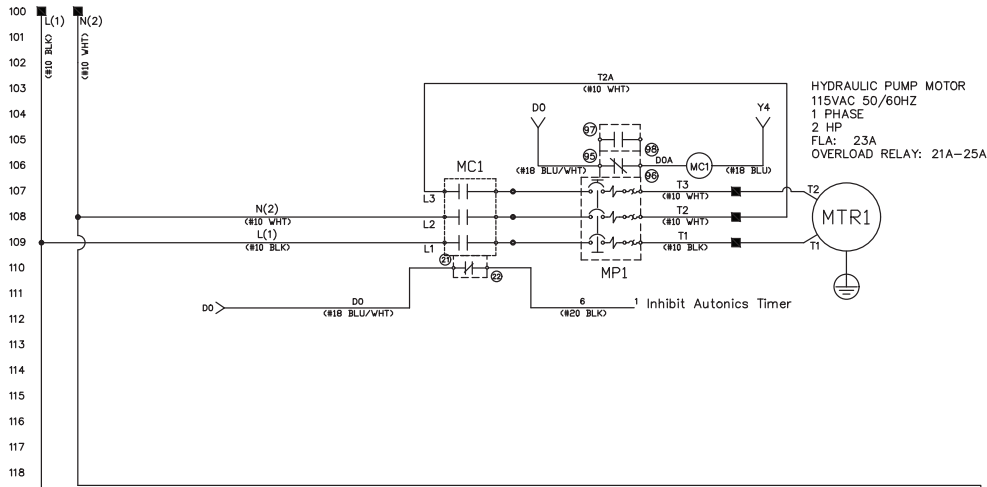
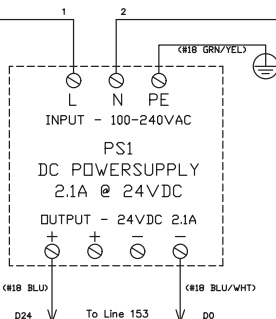


MAINS POWER
115 VAC 1 Phase
30 AMP

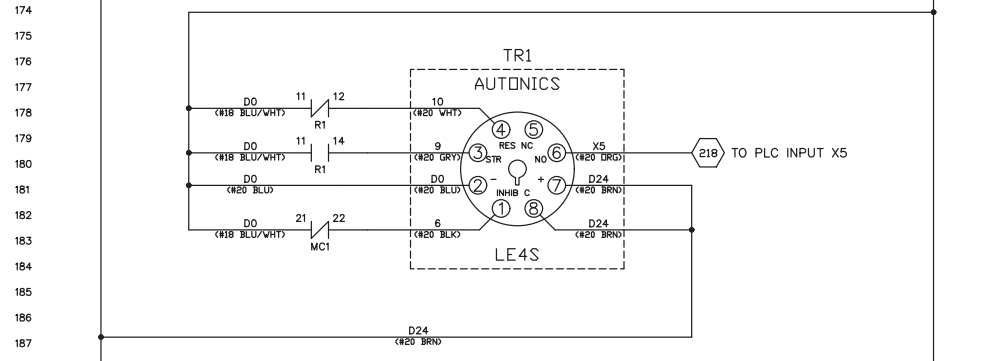
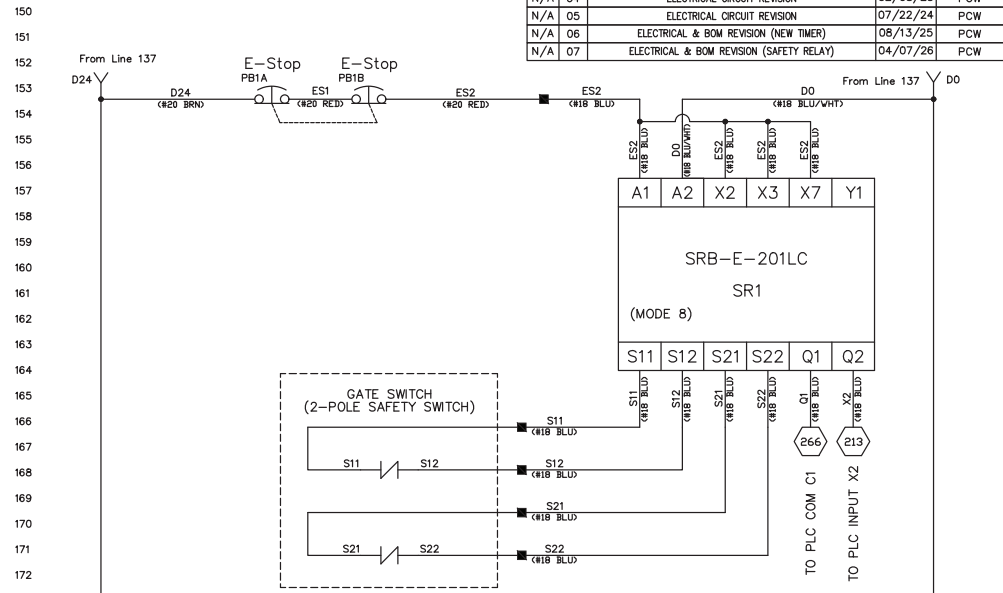


HYDRAULIC PUMP MOTOR
115VAC 50/60HZ
1 PHASE
2 HP
FLA: 23A
OVERLOAD RELAY: 21A-25A



TIMER SETTINGS		
PARAMETER	DISPLAY	SETTING
Output operation mode	o/lk'n	o/n
Time Range	t/rn	99'59"
Time UP/DOWN	u-d	o/n
Width of min. input signal	i nk	20
Backlight	blu	o/n
Key lock	l ock	l oFF

REVISIONS				
ZONE	REV	DESCRIPTION	DATE	APPROVED
N/A	03	FORCE GUIDED RELAY, REDUNDANT E-STOP CONTACT BLOCK, PLC & POWER SUPPLY	02/28/22	PCW
N/A	04	ELECTRICAL CIRCUIT REVISION	02/08/23	PCW
N/A	05	ELECTRICAL CIRCUIT REVISION	07/22/24	PCW
N/A	06	ELECTRICAL & BOM REVISION (NEW TIMER)	08/13/25	PCW
N/A	07	ELECTRICAL & BOM REVISION (SAFETY RELAY)	04/07/26	PCW



To Line 254

To Line 254

150
151
152
153
154
155
156
157
158
159
160
161
162
163
164
165
166
167
168
169
170
171
172
173
174
175
176
177
178
179
180
181
182
183
184
185
186
187
188
189
190
191
192
193
194
195
196
197
198
199

DRAWN BY
PCW
CHKD BY
PCW
DATE DRAWN
01/23/2015
DATE CHD
04/07/2026

MORSE
The Specialist In Drum Handling Equipment
103 Kuhn Rd, Syracuse, NY 13208
PHONE 315-564-4347 FAX 315-437-1029

THIS MATERIAL IS THE COLLECTIVE PROPERTY OF MORSE MANUFACTURING COMPANY INC AND MUST BE RETURNED TO MORSE MANUFACTURING COMPANY INC. THIS DRAWING AND ANY INFORMATION CONTAINED HEREIN IS UNCLASSIFIED DATE 07/23/2015 BY 60322/UC/STP/STP. COPIES, USE, OR TRANSMISSION IN WHOLE OR IN PART IS NOT ALLOWED WITHOUT THE EXPRESS WRITTEN CONSENT OF MORSE MANUFACTURING COMPANY INC.

TITLE MORSE 311-1-115 (ELECTRICAL) OWS NO. AACI012315A SHEET 1 of 2 REV 07

