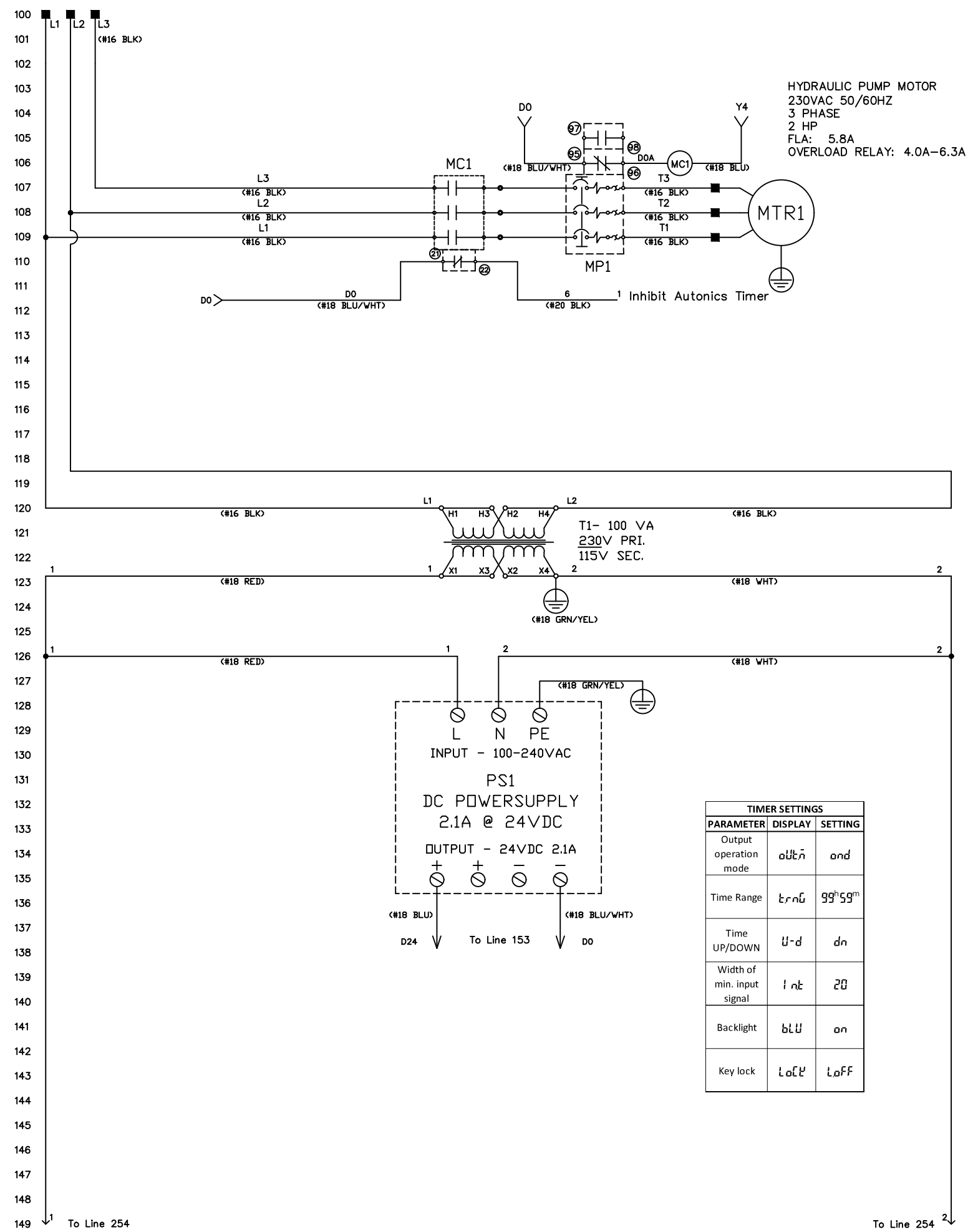
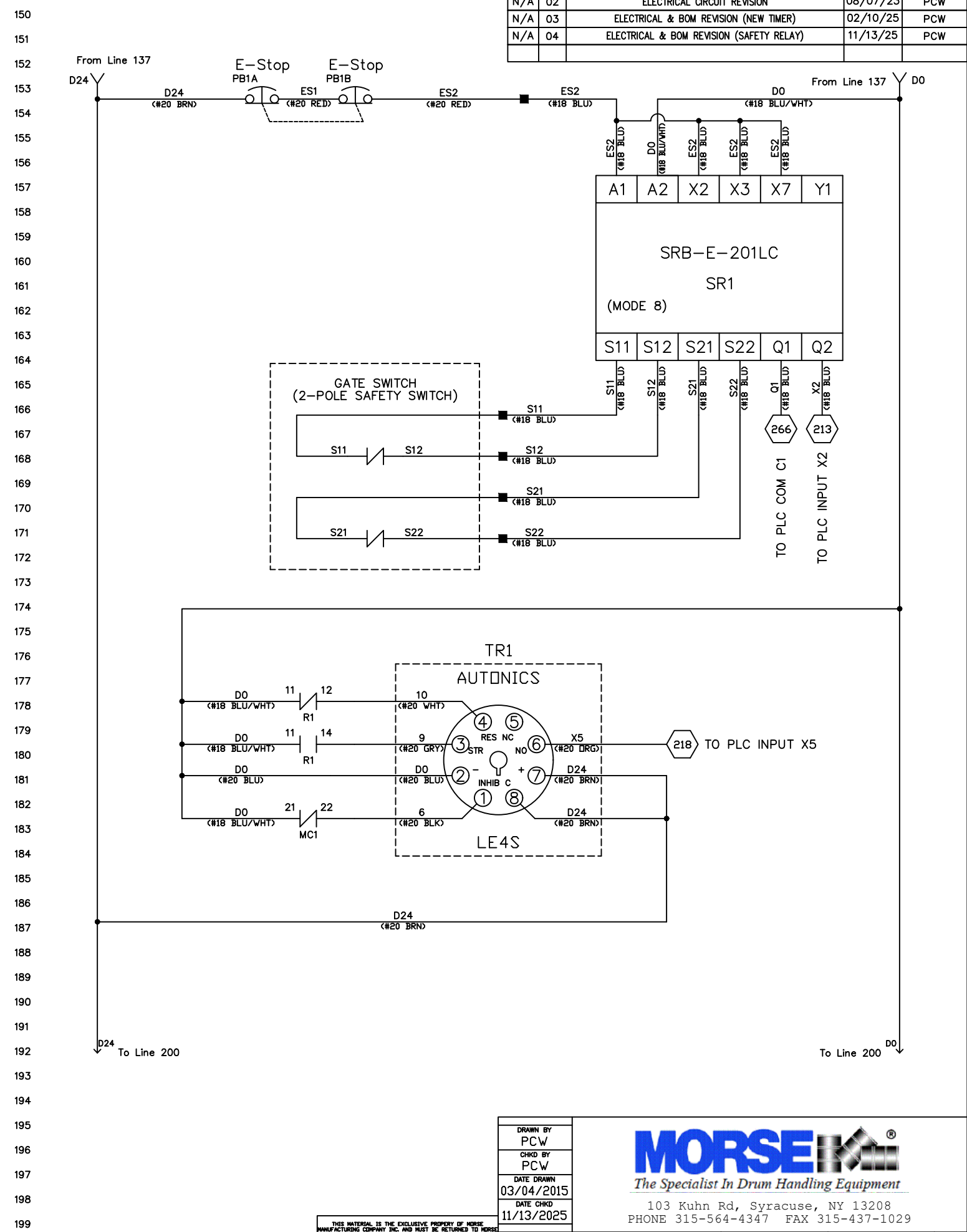


MAINS POWER
230 VAC 3 Phase
10 AMP



| REVISIONS | | DATE | APPROVED |
|-----------|----|----------|----------|
| N/A | 01 | 02/08/22 | PCW |
| N/A | 02 | 08/07/23 | PCW |
| N/A | 03 | 02/10/25 | PCW |
| N/A | 04 | 11/13/25 | PCW |

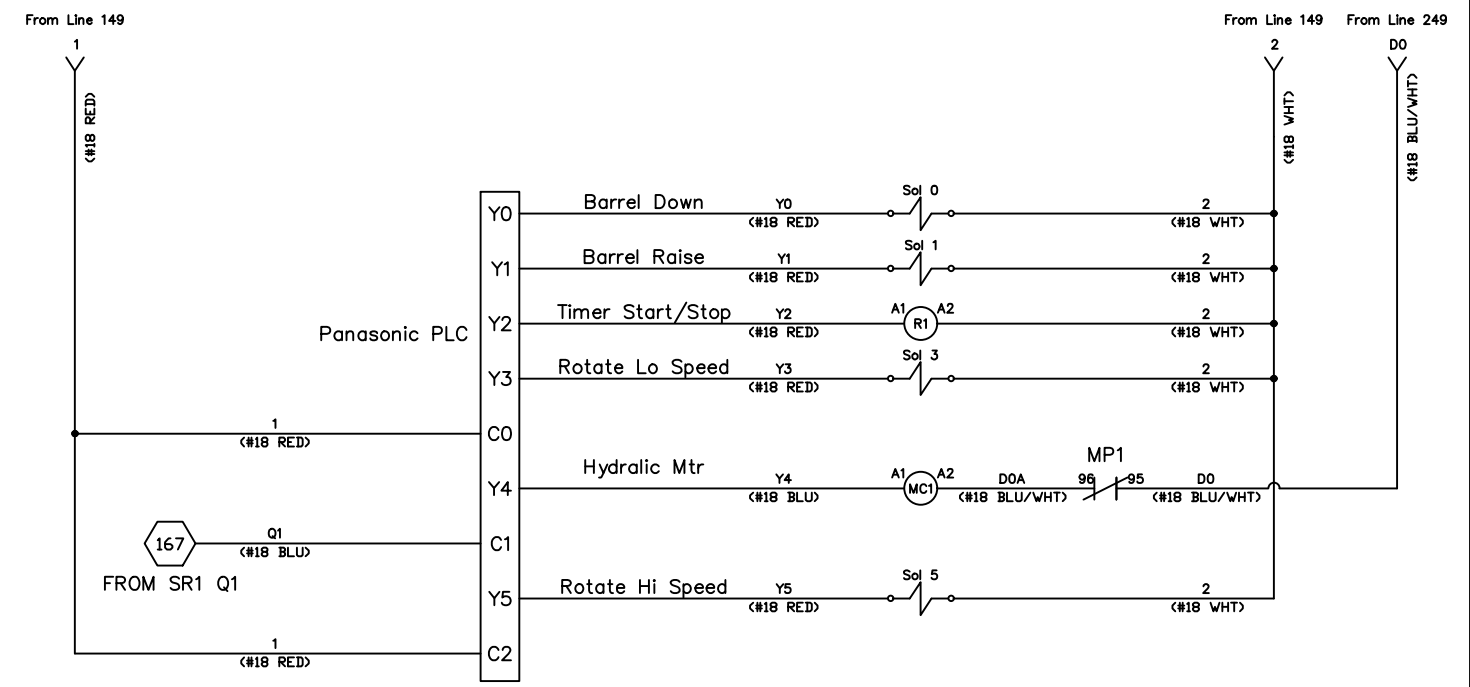
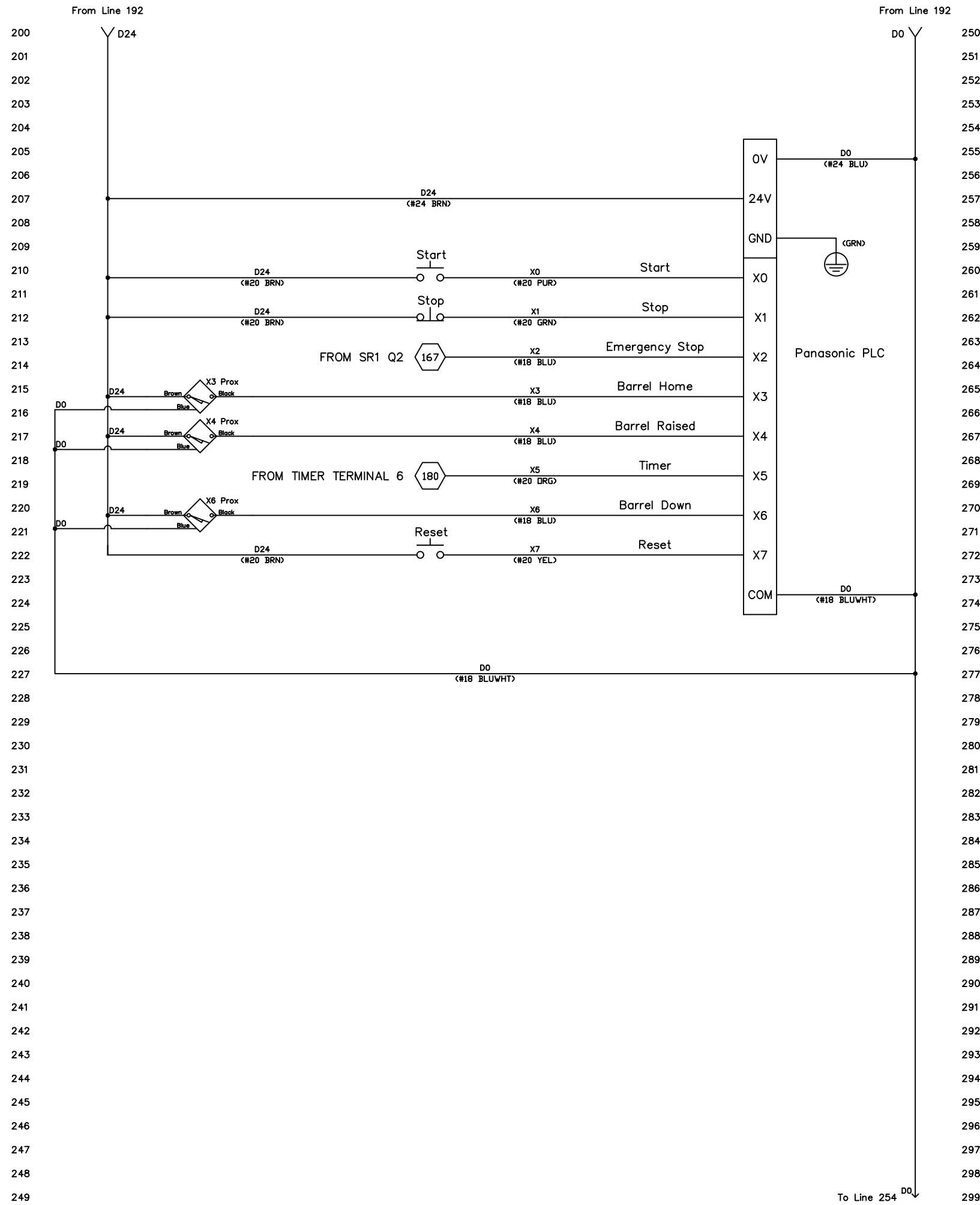


| | |
|--------------------------|---|
| DRAWN BY PCW | <p>The Specialist In Drum Handling Equipment</p> <p>103 Kuhn Rd, Syracuse, NY 13208 PHONE 315-564-4347 FAX 315-437-1029</p> |
| CHKD BY PCW | |
| DATE DRAWN 03/04/2015 | |
| DATE CHKD 11/13/2025 | |

| | | | |
|---|------------------------|-----------------|-----------|
| TITLE MORSE 311-3-230 (ELECTRICAL) 230VAC 50/60HZ 3PH 2HP | DWG NO. AAC1030415A | SHEET 1 of 2 | REV 04 |
|---|------------------------|-----------------|-----------|

THIS MATERIAL IS THE EXCLUSIVE PROPERTY OF MORSE MANUFACTURING COMPANY INC. AND MUST BE RETURNED TO MORSE IMMEDIATELY UPON REQUEST. THIS MATERIAL AND INFORMATION ILLUSTRATED OR CONTAINED HEREIN MAY NOT BE REPRODUCED, COPIED, USED, OR TRANSMITTED IN WHOLE OR IN PART IN ANY WAY WITHOUT THE PRIOR WRITTEN CONSENT OF MORSE MANUFACTURING COMPANY INC.

| REVISIONS | | | | |
|-----------|-----|--|----------|----------|
| ZONE | REV | DESCRIPTION | DATE | APPROVED |
| N/A | 01 | FORCE GUIDED RELAY, REDUNDANT E-STOP CONTACT BLOCK, PLC & POWER SUPPLY | 02/08/22 | PCW |
| N/A | 02 | ELECTRICAL CIRCUIT REVISION | 08/07/23 | PCW |
| N/A | 03 | ELECTRICAL & BOM REVISION (NEW TIMER) | 02/10/25 | PCW |
| N/A | 04 | ELECTRICAL & BOM REVISION (SAFETY RELAY) | 11/13/25 | PCW |



| *MANUFACTURER | *PART NUMBER | DESCRIPTION | QUANTITY |
|----------------|--------------------|---|----------|
| AUTONICS | LE4S | DIGITAL TIMER, 24-240VAC/VDC, RELAY OUTPUT | 1 |
| AUTONICS | PG-08 | 8-PIN SOCKET | 1 |
| EMERSON/SOLA | SVL2-24-100 | POWER SUPPLY, INPUT 115/230VAC, OUTPUT 24VDC @ 2.1A | 1 |
| EXM (EUROBEX) | 5412 ESCH141208 | ENCLOSURE, 14" x 12" x 8" | 1 |
| HAMMOND | SP100MQMJ | CONTROL TRANSFORMER, 100VA | 1 |
| HAMMOND | SPFG1 | FINGER GUARD | 2 |
| HTM | FCM2-1204P-ARU4 | PROXIMITY SENSOR | 3 |
| IBOCO | OMEGA 3FAL1 | DIN RAIL, 35MM x 2METER | 1 |
| MENCOM | PCG-1/2X | CABLE GLAND | 5 |
| MENCOM | PCG-1/2 | CABLE GLAND | 2 |
| MENCOM | 212PA | 1/2NPT NUT, PLASTIC | 7 |
| MENCOM | PCG-07R | CABLE GLAND | 3 |
| MURRELEKTRONIK | 7000-12341-0140500 | SENSOR CABLE, M8, 90DEG, 5M | 3 |
| MURRELEKTRONIK | 7000-18041-6160500 | MOLDED CABLE, FORM A (18 mm), 5 meter | 4 |
| PANASONIC | AFFORC14CRS | PANASONIC PLC 14 I/O | 1 |
| SCHMERSAL | SRB-E-201LC | SAFETY RELAY | 1 |
| SPRECHER+SCHUH | CA8-12C-01-24D | CONTACTOR 24VDC, 1 NC AUXILIARY CONTACT | 1 |
| SPRECHER+SCHUH | CT8-B63 | OVERLOAD RELAY 4.0 TO 6.3 AMPS | 1 |
| SPRECHER+SCHUH | V7-EA35 | END ANCHOR | 7 |
| SPRECHER+SCHUH | V7-WD4 | TERMINAL BLOCK, 2-TIER | 16 |
| SPRECHER+SCHUH | V7-W4 | TERMINAL BLOCK, SINGLE | 6 |
| SPRECHER+SCHUH | V7-WG4 | TERMINAL BLOCK, GROUNDING | 4 |
| SPRECHER+SCHUH | V7-EBD3 | END BARRIER | 4 |
| SPRECHER+SCHUH | V7-CJD6-10 | CENTER JUMPER | 3 |
| SPRECHER+SCHUH | D7P-MT44PX02 | E-STOP, TWIST-TO-RELEASE, 2NC | 1 |
| SPRECHER+SCHUH | D7P-E402PX01 | PUSHBUTTON, RED, EXTENDED, 1NC, "STOP" | 1 |
| SPRECHER+SCHUH | D7P-F301PX10 | PUSHBUTTON, GREEN, FLUSH, 1NO, "START" | 1 |
| SPRECHER+SCHUH | D7P-F611PX10 | PUSHBUTTON, BLUE, FLUSH, 1NO, "R" | 1 |
| SPRECHER+SCHUH | D7-15YSE112 | LEGEND PLATE, "E-STOP" | 1 |
| SPRECHER+SCHUH | PIR6W-IP-115VAC/DC | 115VAC TERMINAL RELAY | 1 |
| SPRECHER+SCHUH | V7-SM6X9 (CUSTOM) | TERMINAL MARKER CARD (CUSTOM) | 1 |
| SPRECHER+SCHUH | V7-SM6X12 (CUSTOM) | TERMINAL MARKER CARD (CUSTOM) | 1 |

*FUNCTIONALLY EQUIVALENT COMPONENTS MAY BE SUBSTITUTED

| | |
|------------|------------|
| DRAWN BY | PCW |
| CHKD BY | PCW |
| DATE DRAWN | 03/04/2015 |
| DATE CHKD | 11/13/2025 |

MORSE
The Specialist In Drum Handling Equipment
103 Kuhn Rd, Syracuse, NY 13208
PHONE 315-564-4347 FAX 315-437-1029

THIS MATERIAL IS THE EXCLUSIVE PROPERTY OF MORSE MANUFACTURING COMPANY INC. AND MUST BE RETURNED TO MORSE IMMEDIATELY UPON REQUEST. THIS MATERIAL AND INFORMATION ILLUSTRATED OR CONTAINED HEREIN MAY NOT BE REPRODUCED, COPIED, USED, OR TRANSMITTED IN ANY MANNER OR BY ANY MEANS WITHOUT THE PRIOR WRITTEN CONSENT OF MORSE MANUFACTURING COMPANY INC.