

#### Parts Diagram for Part # 101ZM-P Drum Holder (Saddle) with Spark Resistant Parts Used on

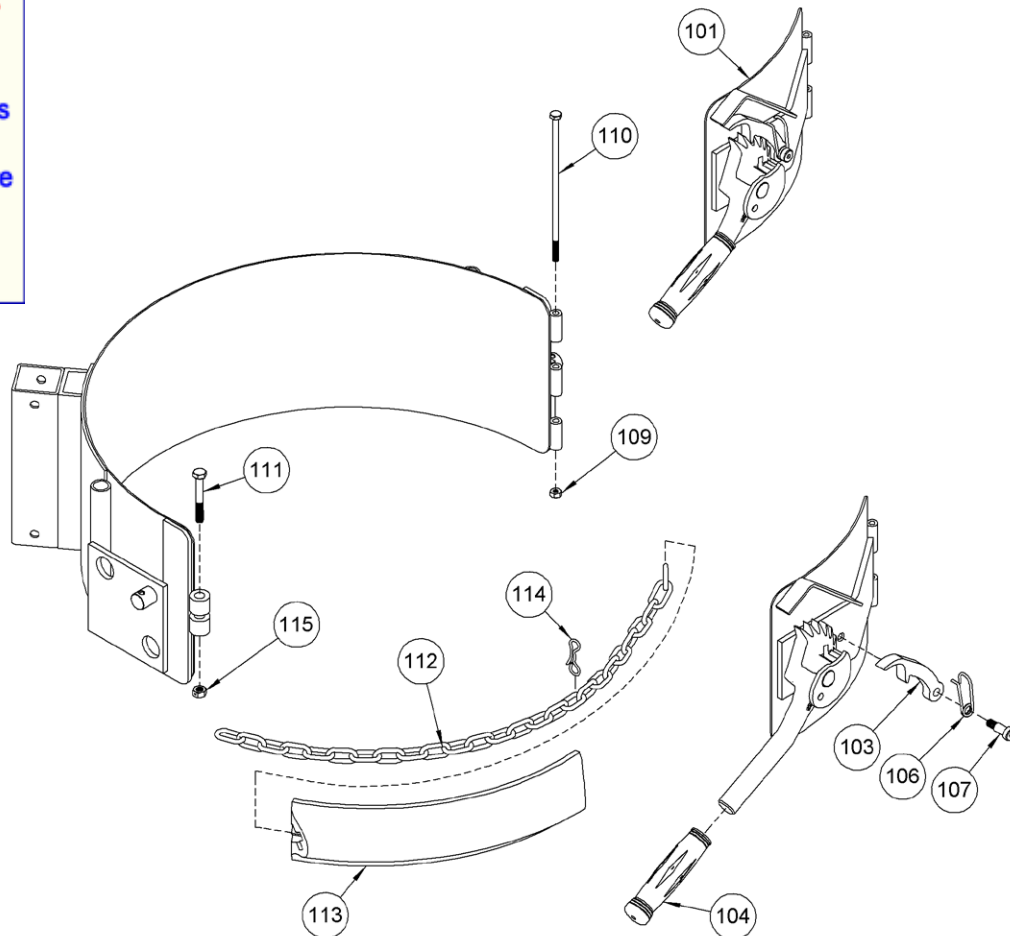
- 82AM Series with Serial Number 1210 to 1014 (MMYY)
- Model 80iM with Serial Number 1210 to 1014 (MMYY)



#### IMPORTANT NOTE

4-Digit serial numbers are simply the month & year of manufacture

Example: 0802 is August 2002



ITEM	QTY.	PART #	DESCRIPTION
101*	1	727AM-P	HINGE PLATE CPT, 1/4" SR
103	1	168-P	PAWL, WITH DRILLED HOLE
104	1	136-P	GRIP, HANDLE 7/8" X 4-3/4"
106	1	169-P	SPRING, PAWL
107	1	170-P	SCREW, 3/8 DIA X 5/8 SHOULDER
109*	1	1297-P	NUT, 1/4-20 REV HEX LOCK
110*	1	1296-P	HHCS, 1/4-20 X 7-1/2 GR5
111*	1	4079-P	HHCS, M8 X 60 MM CL8.8, 8MM
112*	1	4408-P	CHAIN, 9/32 CINCH, SS, 38 LINK
113*	1	4414-P	COVER, CINCH CHAIN, FLEX PVC
114	1	4710-P	PIN, BOW TIE COTTER, MOR
115*	1	4081-P	NUT, M8 ESNA, 8MM

\* Recommended spare parts