

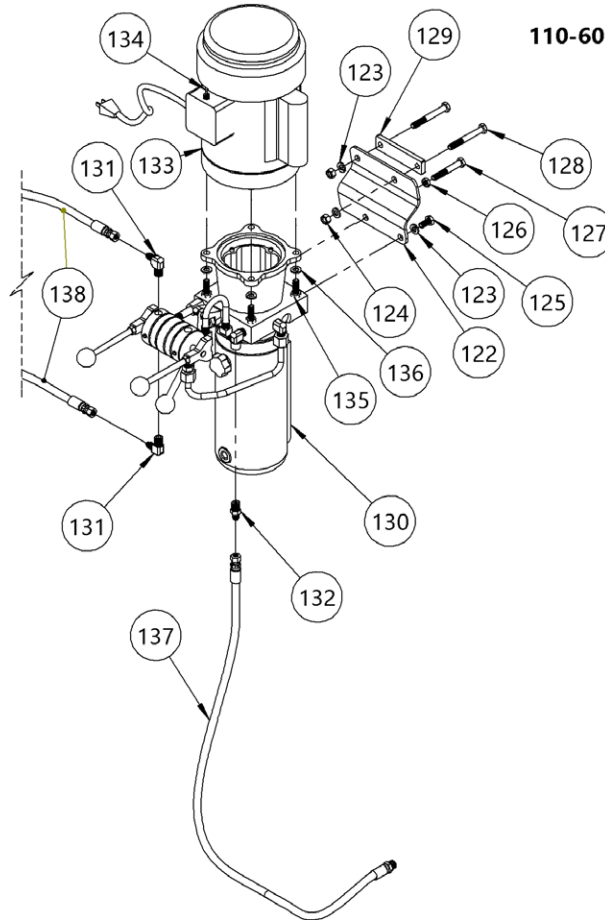
**Parts List and Diagram for Morse Option # 110-60 AC Power Lift and Tilt
Used on Morse 72" Lift Hydra-Lift Drum Pourers
with serial # 0217 to ____ (MMYY)**



**IMPORTANT
NOTE**

4-Digit serial numbers
are simply the month
& year of manufacture

Example: 0802 is
August 2002



ITEM NO.	PART NUMBER	DESCRIPTION	QTY.
121	5850-p	KIT, PUMP MOUNT PLATE, PL	1
122	3643-P	MOUNT PLATE, POWER PUMP	1
123	1474-P	WASHER, 3/8 SPLIT LOCK	3
124	149-P	NUT, 3/8-16 FIN HEX	2
125	1657-P	HHCS, 3/8-16 X 3/4 GR2	1
126	1165-P	NUT, 3/8-16 JAM	1
127	155-P	HHCS, 3/8-16 X 2-1/2 GR2	1
128	1521-P	HHCS, 3/8-16 X 3 GR5	2
129	5848-P	BACK BRACKET, PUMP MOUNT, 400	1
130	M4507-P	HYD POWER PACK, -110, -114	1
131	765-P	HYD FIT, MALE ELBOW, FLARE 400	2
132	345-P	HYD FIT, MALE FLARE, 456, 82	1
133	1062-P	MOTOR 1HP 1PH TEFC 56C W/ CORD	1
134	3633-P	SWITCH, TOGGLE, MOMENTARY, 40	1
135	1572-P	HHCS, 3/8-16 X 1 GR2 ZINC	4
136	1474-P	WASHER, 3/8 SPLIT LOCK	4
137	3689-P	HYD HOSE ASM, 31"	1
138	1763-P	HYD HOSE ASM, 72 PT, 77"	1