

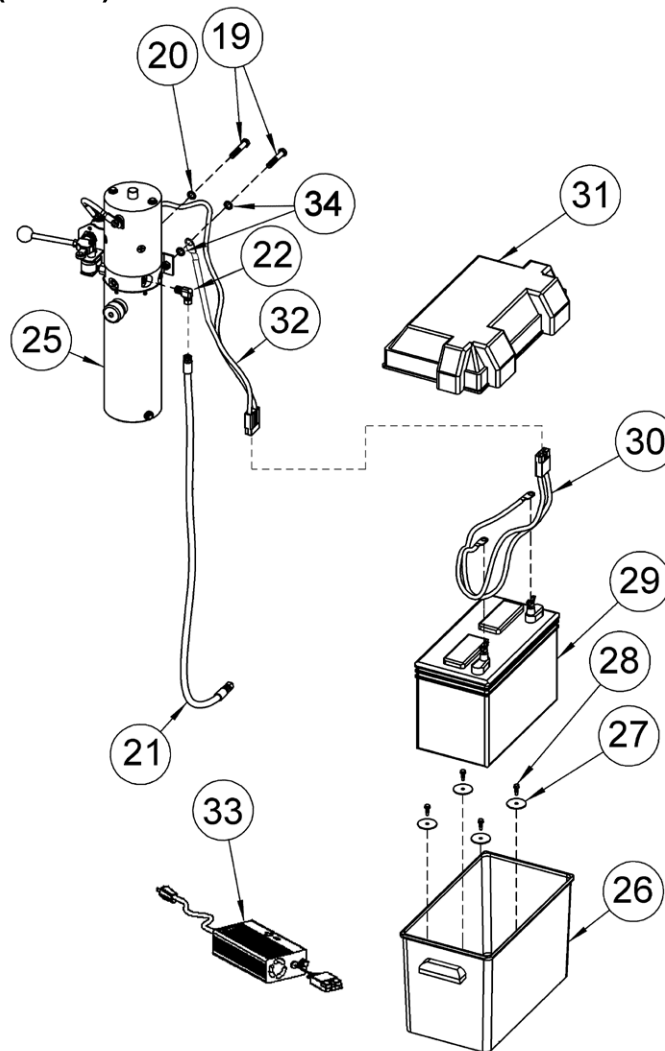
**Parts Diagram for Part # 125-82**  
**DC Power Lift Option for Morse 82 Series Mobile-Karrier / Palletizer**  
**Serial Number 0313 to \_\_\_\_ (MMYY)**



**IMPORTANT NOTE**

4-Digit serial numbers are simply the month & year of manufacture

Example: 0802 is August 2002



ITEM	QTY.	PART #	DESCRIPTION
19	2	82-P	HHCS, 3/8-16 X 2-1/4 GR2
20	1	1474-P	WASHER, 3/8 SPLIT LOCK
21	1	5253-P	HYD HOSE ASM, 40", 82 SERIES
22	1	765-P	HYD FIT, MALE ELBOW, FLARE 400
25	1	M301-P	HYD POWER PACK, -125
26	1	1729-P	BOTTOM, BATTERY BOX, 400
27	4	4168-P	WASHER, 7/32, 1-1/2 OD, FENDER
28	4	193-P	SCREW, 12-14 X 3/4 3 PT TEK
29	1	388-P	BATTERY, 12V DC
30	1	403-P	HARNESS, BATTERY CABLE, 20/30
31	1	1728-P	TOP, BATTERY BOX, 400, 285A-BP
32	1	404-P	HARNESS, PUMP CABLE, 20/20
33	1	389-P	CHARGER 12V 50HZ 60HZ 100-240V
34	2	1739-P	WASHER 3/8 INTERNAL TOOTH LOCK

\* Recommended spare parts.