

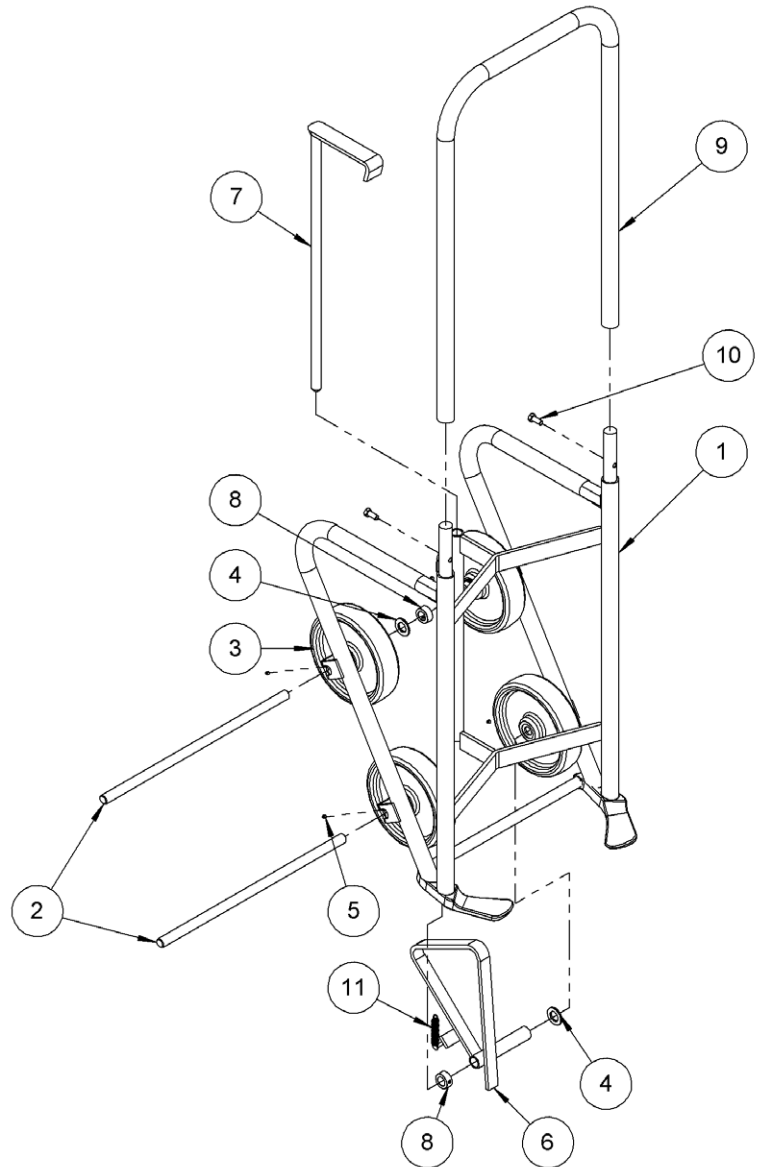
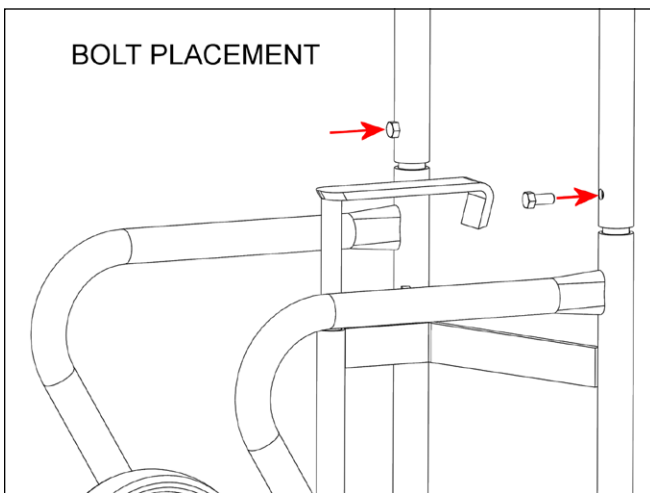
**Parts List and Diagram for Model 160-SS Stainless Steel 4-Wheel Drum Truck
with Serial Number 0514 to 1115**



**IMPORTANT
NOTE**

4-Digit serial numbers
are simply the month
& year of manufacture

Example: 0802 is
August 2002



For replacement parts, please contact
your Morse dealer.

When ordering parts, please specify:

- Part number and description
- Model number

ITEM	QTY	PART #	DESCRIPTION
1	1	5435WSS-P	BASE WELD, 160-SS, KD
2	2	2758-P	AXLE, 19.75", 160-SS
3	4	87-P	WHEEL, MORTUF, 8", 3/4" BRG
4	4	55SS-P	WASHER, 3/4 SAE FL 1-1/2 OD SS
5	4	1000SS-P	SET SCREW, 1/4-20 X 1/4, SS
6	1	2752-P	STAND WELD, 160-SS
7	1	2756-P	HOOK WELD, 160-SS
8	4	15SS-P	COLLAR, 3/4" ID, SS
9	1	5434SS-P	HANDLE, 160-SS, KD
10	2	5519SS-P	HHCS, 3/8-16 X 7/8", SS
11	1	2759-P	SPRING, EXTENSION, SS, 160-SS