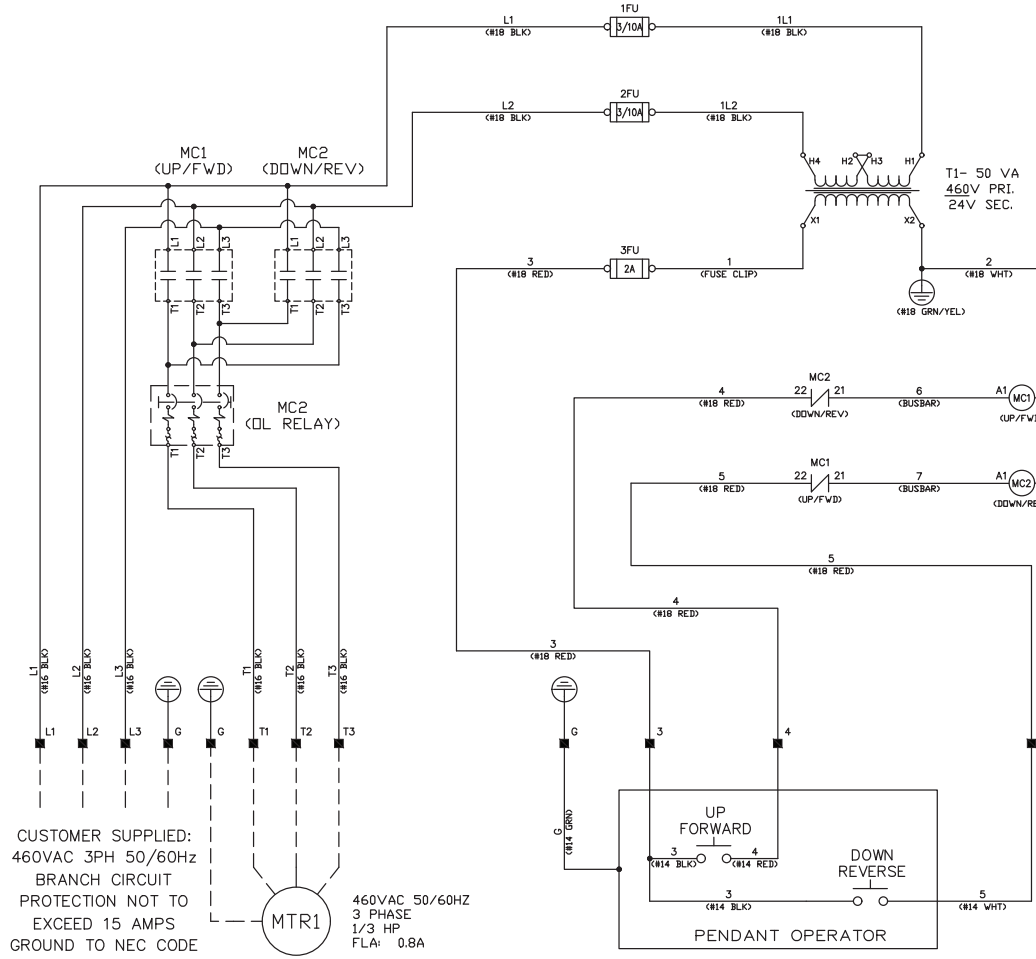


100  
101  
102  
103  
104  
105  
106  
107  
108  
109  
110  
111  
112  
113  
114  
115  
116  
117  
118  
119  
120  
121  
122  
123  
124  
125  
126  
127  
128  
129  
130  
131  
132  
133  
134  
135  
136  
137  
138  
139  
140  
141  
142  
143  
144  
145  
146  
147  
148  
149



CUSTOMER SUPPLIED:  
460VAC 3PH 50/60Hz  
BRANCH CIRCUIT  
PROTECTION NOT TO  
EXCEED 15 AMPS  
GROUND TO NEC CODE

MTR1 460VAC 50/60HZ  
3 PHASE  
1/3 HP  
FLA = 0.8A

REVISIONS				
ZONE	REV	DESCRIPTION	DATE	APPROVED
-	-	-	-	-
-	-	-	-	-
-	-	-	-	-

*MANUFACTURER	*PART NUMBER	DESCRIPTION	QUANTITY
Allied Moulded Products	AMP1086HF	Enclosure, Polycarbonate, 10" x 8" x 6"	1
Allied Moulded Products	PLA108	Back Panel for 10" x 8" Enclosure, Aluminum	1
Ferraz Shawmut	TRM2	Midget Fuse, 2 Amp, Time Delay	1
Ferraz Shawmut	ATQR3/10	Class CC Fuse, 3/10 Amp, Time Delay	2
Iboco	OMEGA 3FAL1	DIN Rail, 35mm x 1meter	1
McMaster-Carr	7422K25	SJOOW, 14 Gauge, 4 Wires, 10 Feet	1
Mencom	PCG-1/2	Cable Gland	1
Mencom	212PA	Nut	1
SolaHD	E050D	Transformer 50VA 240/480VAC to 24VAC	1
SolaHD	FBPC1	Fuse Block and Finger Safe Cover Kit	1
Sprecher+Schuh	CA8-09-01-24Z	Contactors	2
Sprecher+Schuh	CM8	Mechanical Interlock	1
Sprecher+Schuh	CAUT8-PW	Wiring Kit	1
Sprecher+Schuh	CT8-B10	Overload Relay, 0.75 to 1.0 Amps	1
Sprecher+Schuh	CT7N-RA3	Adaptor External Reset	1
Sprecher+Schuh	D7P-R611	Reset Operator, Blue "R"	1
Sprecher+Schuh	D7-ATRO2	Reset Rod, 1.95-2.65"	1
Sprecher+Schuh	V7-EA35	End Anchor	2
Sprecher+Schuh	V7-EB	End Barrier	1
Sprecher+Schuh	V7-WG4	Ground Terminal	3
Sprecher+Schuh	V7-W4	Terminal	9
Sprecher+Schuh	V7-SM6X12	Marker Card	1

**\*FUNCTIONALLY EQUIVALENT COMPONENTS MAY BE SUBSTITUTED**

DRAWN BY	PCW
CHRD BY	PCW
DATE DRAWN	05/06/26
DATE CHG	05/06/26

**MORSE**  
The Specialist In Drum Handling Equipment  
103 Kuhn Rd, Syracuse, NY 13208  
PHONE 315-564-4347 FAX 315-437-1029

TITLE	MORSE 2859-P (ELECTRICAL)	DWG NO.	AACI050626A	SHEET	1 of 1	REV	00
-------	---------------------------	---------	-------------	-------	--------	-----	----

THIS MATERIAL IS THE EXCLUSIVE PROPERTY OF MORSE MANUFACTURING COMPANY INC. AND SHALL BE RETURNED TO MORSE MANUFACTURING COMPANY INC. IMMEDIATELY UPON REQUEST. THIS MATERIAL IS NOT TO BE REPRODUCED, COPIED, USED, OR TRANSMITTED IN ANY MANNER WITHOUT THE WRITTEN PERMISSION OF MORSE MANUFACTURING COMPANY INC.