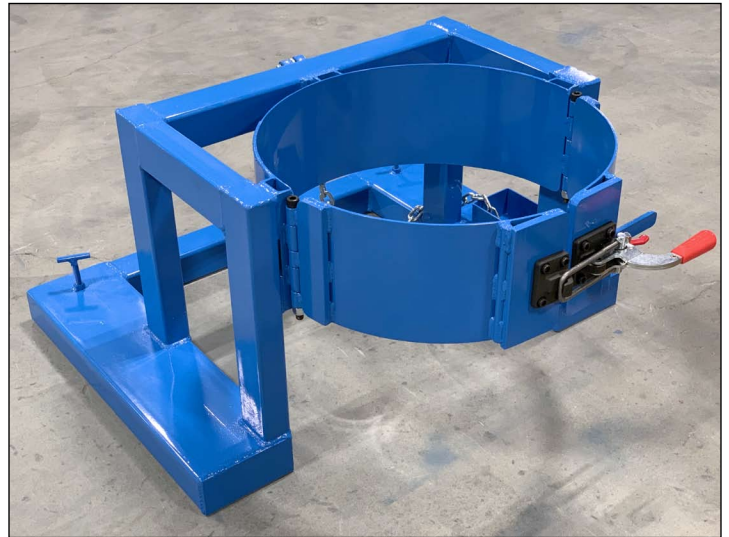


**CONTENTS**

	Page
Receiving Procedures. . . . .	1
Warranty. . . . .	1
Safety Information. . . . .	1 - 2
Machine Description. . . . .	3
Assembly Instructions. . . . .	3
Operating Instructions. . . . .	4
Maintenance. . . . .	4
Parts Lists and Diagrams. . . . .	5

**Operator’s Manual**  
**for Morse Super-Duty**  
**Forklift-Karrier**  
**Model 285SX-NT**

Serial Number 1219 to \_\_\_\_ (MMYY)



**Receiving Procedures**

Every Morse drum handler is inspected prior to shipping. However, damage may be incurred during transit.

- Check for visible damage. If you choose to accept damaged freight, always sign noting the damage on the **Bill of Lading**.
- Document the damage and have the truck driver sign. We recommend keeping a digital camera at your receiving dock for this purpose.
- Open packages expeditiously to check the condition of the goods. There is only a 24 hour window to notify the carrier of any concealed damage.
- Immediately **report all damage to the shipping company!** Then you may contact Morse for assistance with your freight claim.
- Morse Manufacturing will not be held responsible for any damaged freight that is not signed for as damaged.

**Limited 2 Year Warranty**

Morse drum handling equipment is guaranteed against defects in workmanship or materials for two years when used properly within its rated capacity. Warranty does not cover wear from normal use or damage from accident or abuse. Motors and other purchased parts carry the warranties of their manufacturers.

For warranty claims, contact your Morse Dealer to obtain a return authorization number, and for return freight advice. Return freight must be prepaid.

In all instances, liability is limited to the purchase price paid or to repairing or replacing the product. Customer assumes liability for any modifications, unauthorized repairs or parts substitution.

**Safety Information**

While Morse Manufacturing Co. drum handling equipment is engineered for safety and efficiency, a high degree of responsibility must be placed upon the machine operator to follow safe practices, based primarily on common sense, upon which true safety depends.

Failure to follow the safety precautions in this manual can result in personal injury or property damage. Observe the same precautions as with similar machinery where carelessness in operating or maintenance is hazardous to personnel. Carefully read the safety precautions below and throughout this manual.



[morsedrum.com](http://morsedrum.com)



[service@morsedrum.com](mailto:service@morsedrum.com)



(315) 437-8475



103 Kuhn Rd.  
 Syracuse, NY, 13208 U.S.A.

### Operator's Manual for

Morse Super-Duty Forklift-Karrier with 3000 Lb. (1361 kg) Capacity - Model 285SX-NT  
Serial Number 1219 to \_\_\_\_ (MMYY)

### Safety Information (continued)



**DANGER** - Indicates a situation which, if not avoided, will result in serious injury or death. This signal word is limited to the most extreme situations.



**WARNING** - Indicates a situation which, if not avoided, could result in serious injury or death.



**CAUTION** - Indicates a situation which, if not avoided, can result in damage to the machine.



**CAUTION** – Do Not Transport with Drum Raised. Always lower the drum holder to lowest position before transporting.



**WARNING** - The Forklift-Karrier is designed to handle one drum of the types listed at the top of page 3. Machine Description. DO NOT attempt to handle any other type of drum or object. DO NOT exceed the weight capacity of 3000 Lb. (1361 kg).



**WARNING** - Do Not Modify the Unit.

Under no circumstances should any modifications be made to the Morse machinery without factory authorization. Any modifications may void the warranty. This machine was designed to perform a specific job and alterations may result in injury to operator or machine.



**WARNING** - No Loose Fitting Clothing

Wear close-fitting clothing and safety equipment appropriate to the job. Loose fitting clothing may become caught on the machinery and cause severe personal injury.



**CAUTION** - Wear Safety Shoes

Wear safety shoes with non-slip soles and hard toe protection.



**CAUTION:** DO NOT allow drum to impact on floor, ground, or dumping station, etc.



**WARNING:** This product can expose you to chemicals including barium sulfate, cobalt, titanium dioxide, and 2-methylimidazole, which are known to the State of California to cause cancer, and bisphenol-A, which is known to the State of California to cause birth defects or other reproductive harm.

For more information go to [www.P65Warnings.ca.gov](http://www.P65Warnings.ca.gov)

**Operator's Manual for**  
**Morse Super-Duty Forklift-Karrier with 3000 Lb. (1361 kg) Capacity - Model 285SX-NT**  
**Serial Number 1219 to \_\_\_\_ (MMYY)**

**Machine Description**

The Model 285SX-NT Super-Duty Forklift-Karrier with NO Tilt is designed to lift and transport a ribbed 55-gallon (210 liter) steel drum 22.5" (57 cm) in diameter. The maximum full-drum capacity is 3000 Lb. (1361 kg).



**Assembly Instructions**

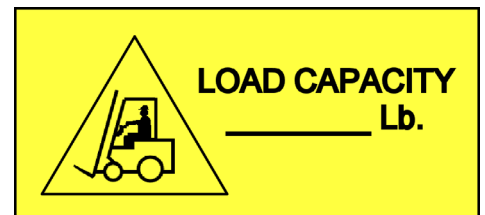
1. Prior to initial use, inspect all moving parts and saddle (drum holder) assembly. Perform necessary load test, inspections, operator training, etc.

**Important**

1. Review the Material Safety Data Sheet(s) for the material(s) in the drum(s) and take all necessary precautions. Safety shoes, work gloves, hard hat and other personal protective devices are recommended.
2. Please read all instructions thoroughly before attempting to operate your new Morse drum handler.
3. The model 285SX-NT has a maximum capacity rating of 3000 Lb. (1361 kg) drum, and is designed to lift and move a 55-gallon (210 liter) steel drum. DO NOT exceed these ratings. Exceeding these ratings or handling drums other than those mentioned above is unsafe and could result in equipment damage, excessive wear or awkward handling.
4. When loading, unloading, operating, or maintaining your MORSE drum handler, always use care and good judgment. Maintain secure footing and a firm hold. Keep hands and loose clothing away from all moving parts. Never allow anyone to be below any part of a raised drum handler or drum. Read operating instructions and review the pictures in the sales brochure before operation.
5. Because the model 285SX-NT is a front-end attachment for a forklift, OSHA recommends that "... the truck (forklift) be marked to identify the attachment(s) and show the approximate weight of the truck and attachment combination at maximum elevation with load laterally centered."

Net weight of Morse model 285SX-NT is 172 Lb. (78 kg).

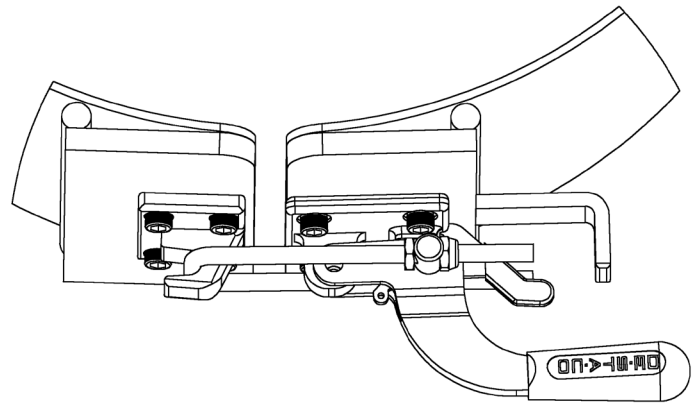
6. Prior to initial use, inspect all moving parts and saddle (drum holder) assembly. Inspect saddle assembly for proper operation. Perform necessary load test, inspections, operator training, etc.



**Operator's Manual for**  
**Morse Super-Duty Forklift-Karrier with 3000 Lb. (1361 kg) Capacity - Model 285SX-NT**  
**Serial Number 1219 to \_\_\_\_ (MMYY)**

**Operating Instructions**

1. Before sliding forklift forks into the fork tubes, adjust forks to an inside spread of 25.5" (64.8 cm) minimum. Lock forks into position on the forklift carriage.
2. Drive the forklift forward to slip the forks into the fork tubes. Tighten tee screws to secure the Forklift Karrier to the forks, or secure chain anchor between forklift carriage and Forklift-Karrier. Transport Forklift Karrier to drum to be handled.
3. Drive the forklift with the Forklift Karrier near floor level to position the saddle band around the middle of the drum between the ribs.
4. Open the toggle clamp by activating the release lever and swing both hinge bands to the open position. Push the Forklift-Karrier against the drum to surround the drum with the saddle band.
5. Close the two hinged bands around the drum and latch the toggle clamp to secure the drum.
6. Raise forks to clear the floor and transport drum in vertical position to dispensing location.
7. While transporting, ensure that the drum is raised away from the floor to prevent the drum bottom from interfering with a pallet or other obstacle.
8. Remove the drum by activating the release lever and opening the toggle clamp. Swing both hinged bands open. Drive the forklift away from the drum.

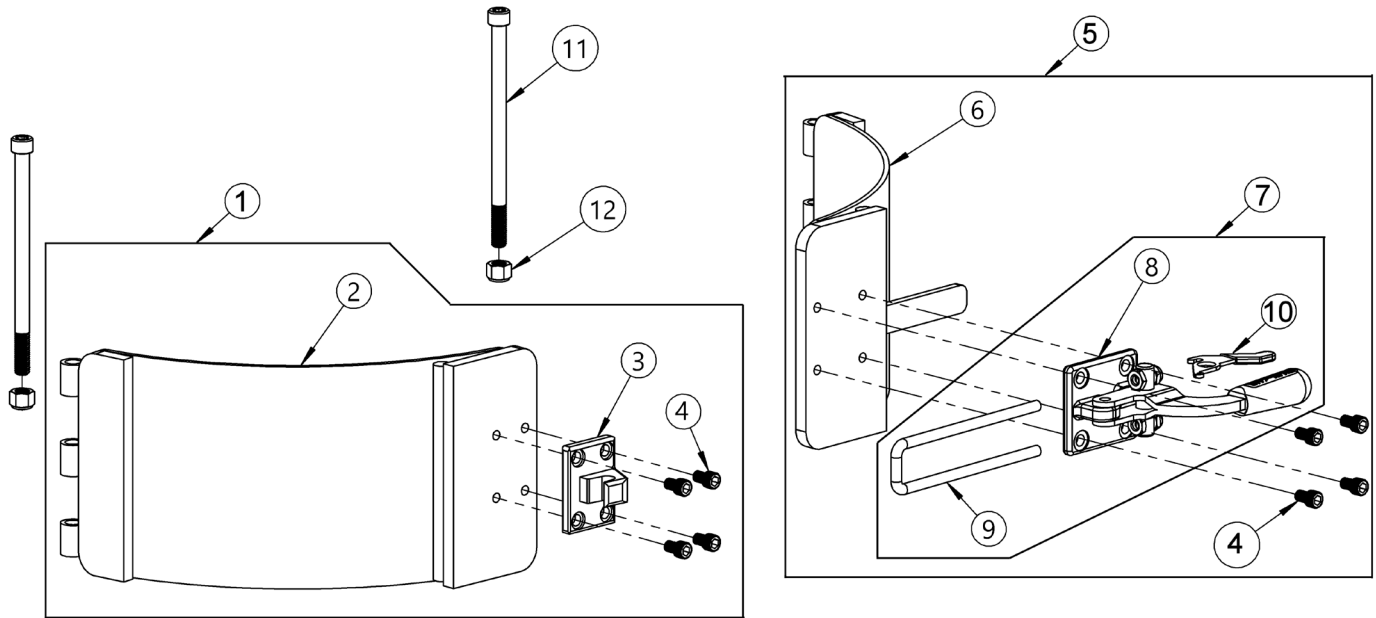


**Maintenance**

Periodic inspection for the general condition of structural and mechanical components is imperative for safe and efficient operation.

- Periodically inspect all moving parts, framework, drum holder and contact areas for signs of wear, fatigue, or loosening. Tighten, adjust, or replace parts as necessary to prevent failure and maintain proper function.
- Oil or grease all moving parts.
- Worn or damaged parts must be properly replaced with the correct, genuine Morse parts.

**Operator's Manual for**  
**Morse Super-Duty Forklift-Karrier with 3000 Lb. (1361 kg) Capacity - Model 285SX-NT**  
**Serial Number 1219 to \_\_\_\_ (MMYY)**



ITEM NO.	PART NUMBER	DESCRIPTION	QTY.
1	4513-P	FRONT BAND CPT, CATCH, XGR	1
2	4515-P	FRONT BAND WELD, CATCH, XGR	1
3	3067-P	CATCH, 375-R TOGGLE, CAMLOCK	1
4	22-P	SHCS, 3/8-24 X 5/8	8
5	4514-P	FRONT BAND CPT, CLAMP, XGR	1
6	4516-P	FRONT BAND WELD, CLAMP, XGR	1
7	4187-P	TOGGLE CLAMP, W/ U BOLT	1
8	2984-P	TOGGLE CLAMP, 375-R	1
9	4190-P	U-BOLT, 7", 375-R CLAMP	1
10	3601-P	RELEASE LEVER, 2984-P	4
11	6294-P	SHCS, 1/2-13 X 8"	2
12	6266-P	NUT, 1/2-13 NYLON LOCK	2