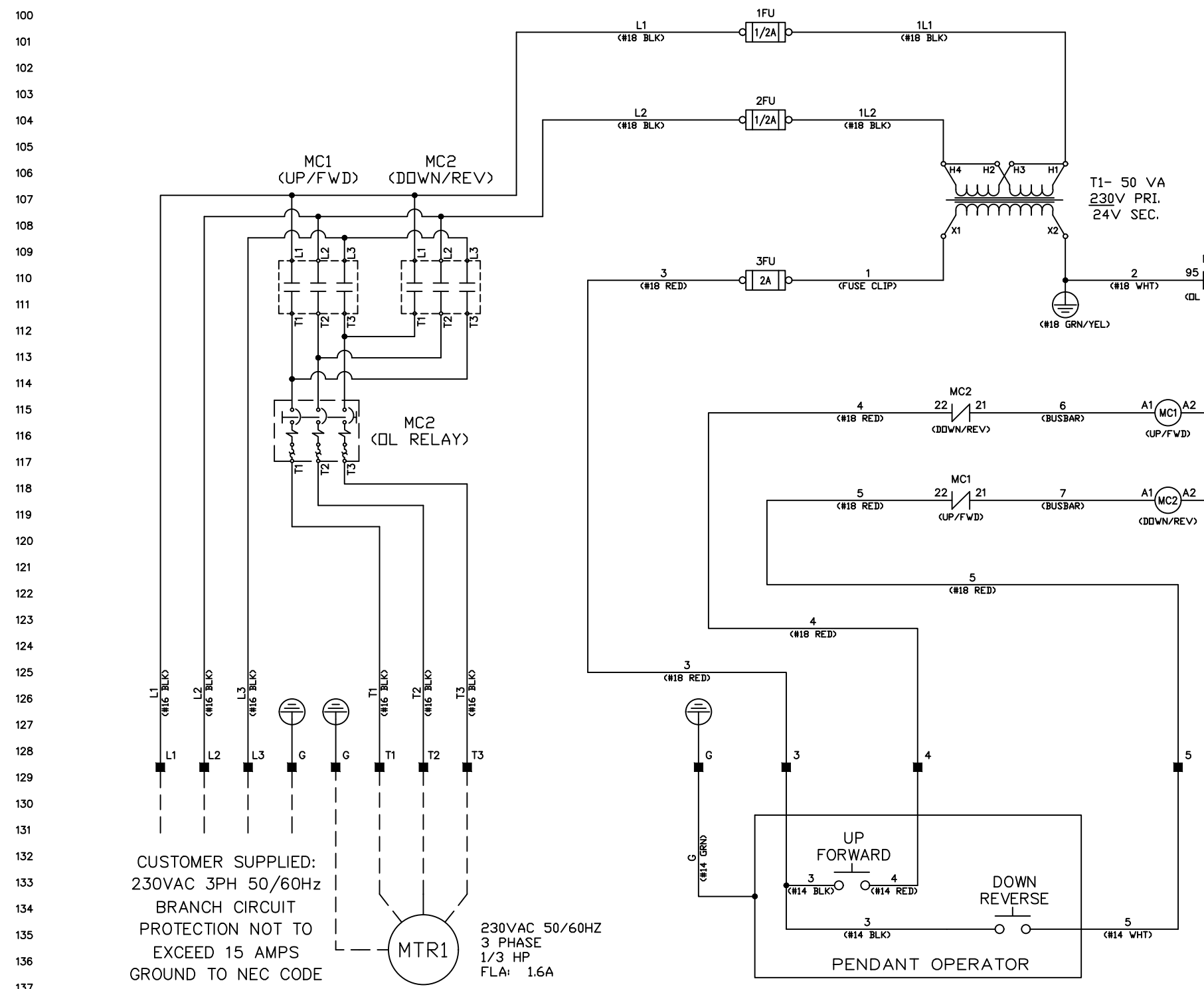


REVISIONS				
ZONE	REV	DESCRIPTION	DATE	APPROVED
-	-	-	-	-



CUSTOMER SUPPLIED:
 230VAC 3PH 50/60Hz
 BRANCH CIRCUIT
 PROTECTION NOT TO
 EXCEED 15 AMPS
 GROUND TO NEC CODE

MTR1 230VAC 50/60HZ
 3 PHASE
 1/3 HP
 FLA: 1.6A

*MANUFACTURER	*PART NUMBER	DESCRIPTION	QUANTITY
Allied Moulded Products	AMP1086HF	Enclosure, Polycarbonate, 10" x 8" x 6"	1
Allied Moulded Products	PLA108	Back Panel for 10" x 8" Enclosure, Aluminum	1
Ferraz Shawmut	TRM2	Midget Fuse, 2 Amp, Time Delay	1
Ferraz Shawmut	ATDR1/2	Class CC Fuse, 1/2 Amp, Time Delay	2
Iboco	OMEGA 3FAL1	DIN Rail, 35mm x 1meter	1
McMaster-Carr	7422K25	SJOOW, 14 Gauge, 4 Wires, 10 Feet	1
Mencom	PCG-1/2	Cable Gland	1
Mencom	212PA	Nut	1
SolaHD	E050D	Transformer 50VA 240/480VAC to 24VAC	1
SolaHD	FBPC1	Fuse Block and Finger Safe Cover Kit	1
Sprecher+Schuh	CA8-09-01-24Z	Contactors	2
Sprecher+Schuh	CM8	Mechanical Interlock	1
Sprecher+Schuh	CAUT8-PW	Wiring Kit	1
Sprecher+Schuh	CT8-B20	Overload Relay, 1.4 to 2.0 Amps	1
Sprecher+Schuh	CT7N-RA3	Adaptor External Reset	1
Sprecher+Schuh	D7P-R611	Reset Operator, Blue "R"	1
Sprecher+Schuh	D7-ATRO2	Reset Rod, 1.95-2.65"	1
Sprecher+Schuh	V7-EA35	End Anchor	2
Sprecher+Schuh	V7-EB	End Barrier	1
Sprecher+Schuh	V7-WG4	Ground Terminal	3
Sprecher+Schuh	V7-W4	Terminal	9
Sprecher+Schuh	V7-SM6X12	Marker Card	1

***FUNCTIONALLY EQUIVALENT COMPONENTS MAY BE SUBSTITUTED**

100
101
102
103
104
105
106
107
108
109
110
111
112
113
114
115
116
117
118
119
120
121
122
123
124
125
126
127
128
129
130
131
132
133
134
135
136
137
138
139
140
141
142
143
144
145
146
147
148
149

DRAWN BY PCW	 The Specialist In Drum Handling Equipment 103 Kuhn Rd, Syracuse, NY 13208 PHONE 315-564-4347 FAX 315-437-1029			
CHKD BY PCW				
DATE DRAWN 05/11/26				
DATE CHKD 05/11/26				
TITLE MORSE 2860-P (ELECTRICAL) 230VAC 50/60HZ 3PH 1/3HP		DWG NO. AACI051126A	SHEET 1 of 1	REV 00

THIS MATERIAL IS THE EXCLUSIVE PROPERTY OF MORSE MANUFACTURING COMPANY INC. AND MUST BE RETURNED TO MORSE MANUFACTURING COMPANY INC. IMMEDIATELY UPON REQUEST. THIS MATERIAL AND INFORMATION ILLUSTRATED OR CONTAINED HEREIN MAY NOT BE REPRODUCED, COPIED, USED OR TRANSMITTED IN ANY MANNER IN ANY WAY WITHOUT THE PRIOR WRITTEN CONSENT OF MORSE MANUFACTURING COMPANY INC.