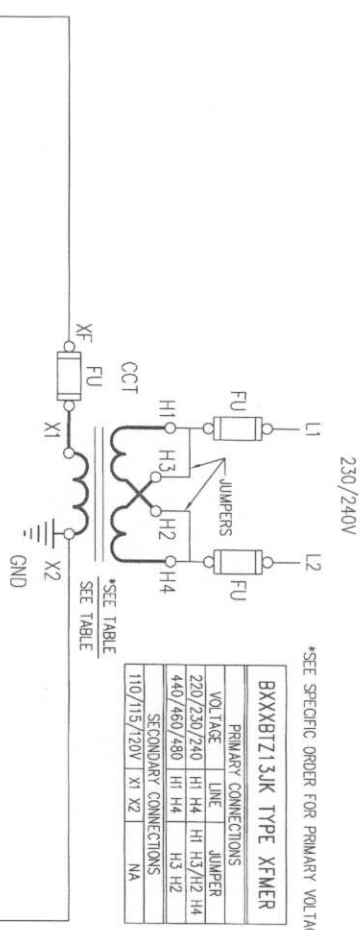
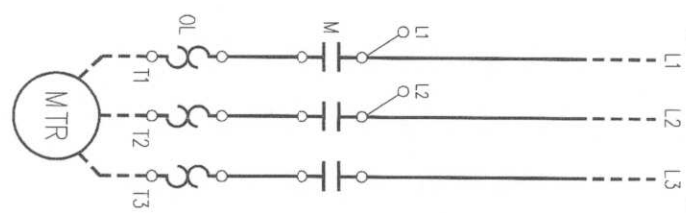


CUSTOMER TO SUPPLY PROPER BRANCH  
CIRCUIT PROTECTION AS PER LOCAL CODES.  
(USE 75°C COPPER WIRE ONLY)

INCOMING POWER  
240V 3Ø 60HZ



- NOTES:
- 1) TB JUMPER TO BE REMOVED IF INTERLOCK SWITCH IS USED.
  - 2) X2 TERMINAL GROUNDED AS STANDARD, REMOVE IF NOT REQUIRED.



1	CHANGED DESCRIPTION FROM "LIMIT" TO "INTERLOCK" PER CUSTOMER REQUEST AND REMOVED W/ REF.	08-18-10	GS
---	--	----------	----

NOTICE

THIS DRAWING IS THE CONFIDENTIAL PROPERTY OF SPRECHER-SCHUH, INC. and, as such, is subject to recall at any time. The drawing may not be reproduced, used or disclosed for any purpose except as authorized by SPRECHER-SCHUH, INC.

DRAWN BY:	GS
CHECKED BY:	NB
APPROVED BY:	MH
DATE	

CUSTOM CONTROL PANEL  
FVNR W/ TB'S FOR INTERLOCK SWITCH  
PART NUMBER - 2966C-P  
AUBURN ARMATURE - MORSE MFG