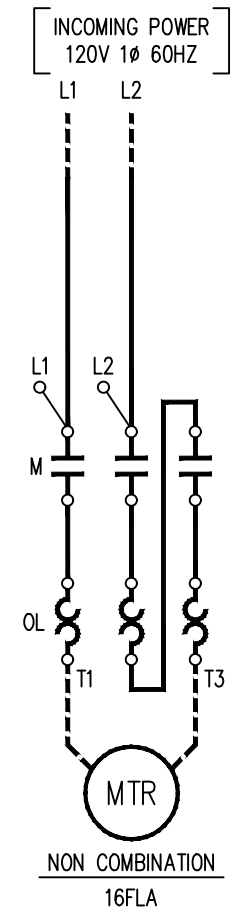
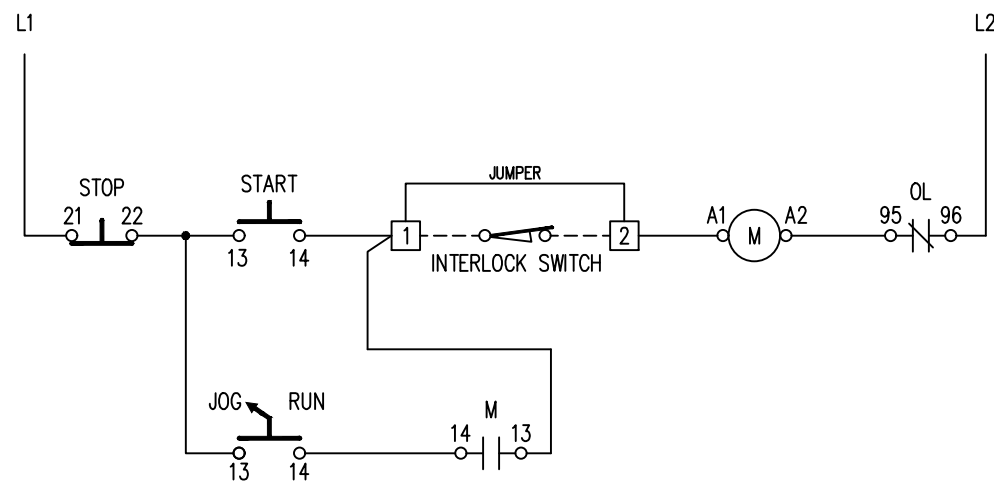


CUSTOMER TO SUPPLY PROPER BRANCH
CIRCUIT PROTECTION AS PER LOCAL CODES.
(USE 75°C COPPER WIRE ONLY)



TERM. BLOCK DETAIL



NOTES:

- 1) TB JUMPER TO BE REMOVED IF INTERLOCK SWITCH IS USED.

-	-	-	-	<p align="center">NOTICE</p> <p><i>THIS DRAWING IS THE CONFIDENTIAL PROPERTY OF SPRECHER+SCHUH, INC and, as such, is subject to recall at any time. The drawing may not be reproduced, used or disclosed for any purpose except as authorized by SPRECHER+SCHUH, INC.</i></p>	DRAWN BY: MB	<p align="center">CUSTOM CONTROL PANEL FVNR W/ TB'S FOR INTERLOCK SWITCH</p> <p align="center">PART NUMBER - 2968C-P</p> <p align="center">AUBURN ARMATURE - MORSE MFG</p>	<p align="center">sprecher+ schuh HOUSTON, TEXAS</p>		
-	-	-	CHECKED BY: MH		DWG. NO.				SHEET 3 OF 3
-	-	-	-		APPROVED BY: MF		CCP WS-615-984	600	
1	CHANGED MOTOR FLA.	7-29-14	MB		DATE 7-22-14				
REV	CHANGE	DATE	BY						