

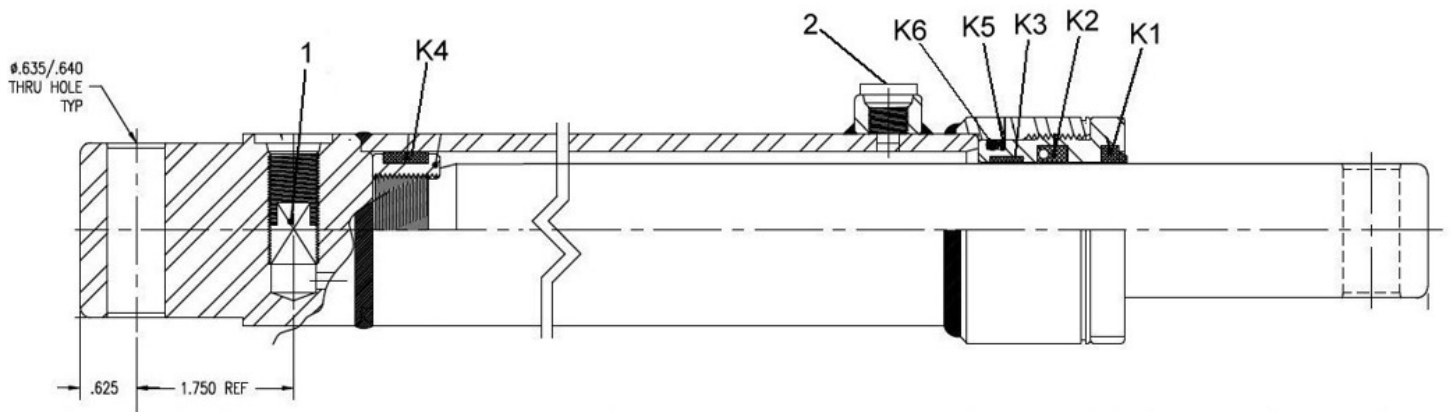
Hydraulic Cylinder Used on Morse

- 520 and 525 Series Vertical-Lift Drum Pourers serial numbers 211978 to Current
- 620 Series MORStak™ Drum Rackers serial numbers 213009 to Current

Notes

- Stroke is 52" (1321 mm)
- Length Closed: 59.75" (1518 mm) Center to Center
- Length Fully Extended: 111.75" (2838 mm) Center to Center

Morse Cylinder Numbers: 3008-P, 3006-P, and 783D-P



Morse Seal Kit 6659-P - KIT, SEAL, 1-1/2" CYL, DF

Item	Qty.	Description	Detail
K1	1	ROD WIPER	1.500 D-STYLE
K2	1	ROD SEAL	18701500-312B POLYPAK
K3	1	ROD WEAR RING	.375 UHMW x .062 WEAR STRIP
K4	1	PISTON WEAR RING	W1750-500-125 GFN
S4	1	O-RING - GLAND	AS-132 N70 (PRE 783D-P)
K5	1	O-RING - GLAND	AS-224 N70
K6	1	O-RING BACKUP	BU-223 N90

Additional Parts Available

Item	Part #	Qty.	Description
1	6660-P	1	FLOW FUSE, 3.0 GPM, 783D-P DF
2	6681-P	1	BLEEDER SCREW, SAE-4 PORT, DF

Seal Kit 6659-P for 1.5" (38.1 mm) Cylinder, DF

