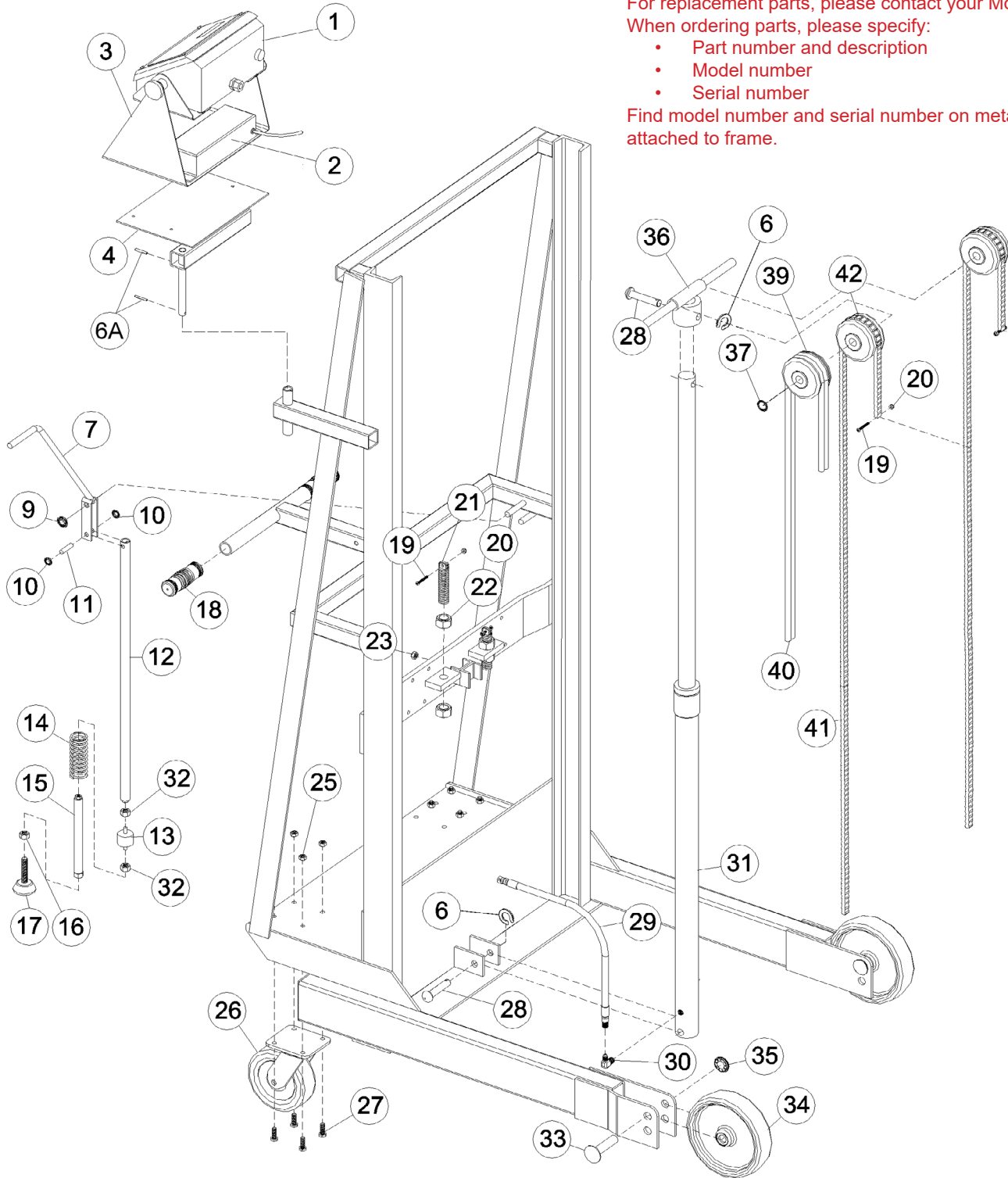


Parts List and Diagram for Base Assembly Part # 30130SS-P
for Stainless Steel 515SS Series Scale-Equipped Single-Stage Vertical-Lift Drum Pourers
with Serial Number 400000 to _____

For replacement parts, please contact your Morse dealer.
When ordering parts, please specify:

- Part number and description
- Model number
- Serial number

Find model number and serial number on metal name plate attached to frame.



Parts List and Diagram for Base Assembly Part # 30130SS-P
for Stainless Steel 515SS Series Scale-Equipped Single-Stage Vertical-Lift Drum Pourers
with Serial Number 400000 to _____

| ITEM | SCALE | MODEL SUFFIX | QTY. | Part # | DESCRIPTION |
|------|-------|---------------|------|-----------|---------------------------------|
| 1 | T | | 1 | 6426-P | SCALE INDICATOR, T, 2800 |
| 1 | N | | 1 | 5515-P | SCALE INDICATOR, N, 2255 |
| 2 | T | | 1 | 6427-P | BATTERY PACK, ACC 2830, 2800 |
| 3 | | | 1 | 3233-P | BRACKET, SCALE, ACC 357, T, N |
| 4 | | | 1 | 3579SS-P | MOUNT WELD, INDICATOR, T, N SS |
| 5 | T | | 1 | 6428-P | CHARGER, BATTERY, 2800 SCALE |
| 6 | | | 2 | 5347SS-P | SNAP RING, EXT, SS, 5/8" |
| 6A | | | 2 | 64SS-P | ROLL PIN, 3/16 X 1-1/4, SS |
| 7 | | | 1 | 3294SS-P | HANDLE WELD, FLOOR LOCK SS |
| 9 | | | 1 | 718-P | PUSH NUT, 1/2" |
| 10 | | | 2 | 716-P | PUSH NUT, 3/8" |
| 11 | | | 1 | 3720SS-P | TEE PIECE, SS, 7SS-X |
| 12 | | | 1 | 3297SS-P | PUSH TUBE WELD FLOOR LOCK SS |
| 13 | | | 1 | 3302-P | FLEX COUPLING, FLOOR LOCK VERT |
| 14 | | | 1 | 3169-P | SPRING, COMP, FLOOR LOCK VERT |
| 15 | | | 1 | 5375SS-P | STAND, FLOOR LOCK VERT, SS |
| 16 | | | 1 | 91-P | 1/2 - 13 FIN HEX NUT |
| 17 * | | | 1 | 3171-P | PAD, FLOOR LOCK, VERT LIFT |
| 18 | | | 2 | 83-P | HANDLE GRIP, 1-1/4 X 4-1/2 |
| 19 | | | 4 | 5580-P | SHCS, 10-32 X 1-1/4 |
| 20 | | | 4 | 5581-P | NUT, 10-32 NYLON LOCK NUT |
| 21 | | | 2 | 3046SS-P | ANCHOR, LEAF CHAIN, ADJUST, SS |
| 22 | | | 4 | 1545SS-P | NUT, 7/8-9 FIN HEX, SS |
| 23 | | | 2 | 1518SS-P | NUT, 1/4-20 NYLON LOCK, SS |
| 25 | | | 8 | 3981SS-P | NUT, 3/8-16 NYLON LOCK, SS |
| 26 * | | | 2 | 3049-P | CASTER, SWIVEL, 6" VERT LIFT |
| 27 | | | 8 | 535SS-P | HHCS, 3/8-16 X 1-1/4, SS |
| 28 | | | 1 | 5348SS-P | PIN, GROOVE, 5/8 X 2.625 C SS |
| 29 | | | 1 | 3573-P | HYD HOSE ASM, VERT, CYL, 48" |
| 30 | | | 1 | 3610-P | HYD FIT, MALE ELBOW, SAE |
| 31 | | | 1 | 3006-P | CYLINDER, 1.5 X 29, 510 515 611 |
| 32 | | | 2 | 1634-P | NUT, 5/16-18 WHIZ LOCK |
| 33 | | | 2 | 5329SS-P | PIN, GROOVE, 3/4 X 3.10 C SS |
| 34 * | | | 2 | 87-P | WHEEL, MORTUF, 8", 3/4" BRG |
| 35 * | | | 2 | 5330SS-P | SNAP RING, EXT, 3/4", SS |
| 36 | | | 1 | 3047SS-P | CLEVIS CAP WELD, LIFT CYL, SS |
| 37 | | | 2 | 15SS-P | COLLAR, 3/4" ID, SS |
| 39 | | NO SUFFIX | 1 | 5101H-P | PULLEY, HOSE/ WIRE, SEALED |
| 39 | | 120, 124, 125 | 1 | 5101H-P | PULLEY, HOSE/ WIRE, SEALED |
| 39 | | 110, 114, 115 | 2 | 5101H-P | PULLEY, HOSE/ WIRE, SEALED |
| 40 | | 110, 114, 115 | 2 | 3571-P | HYD HOSE ASM, 1X PT, 108" |
| 41 | | | 2 | 3476-P | CHAIN, LIFT, 1/2" LEAF, 515 |
| 42 | | | 2 | 5101L-P | PULLEY, LEAF CHAIN, SEALED |
| 43 | | | 1 | 3470CSS-P | SHAFT, 4 PULLEY, LEAF CHAIN SS |

* Recommended Spare Parts