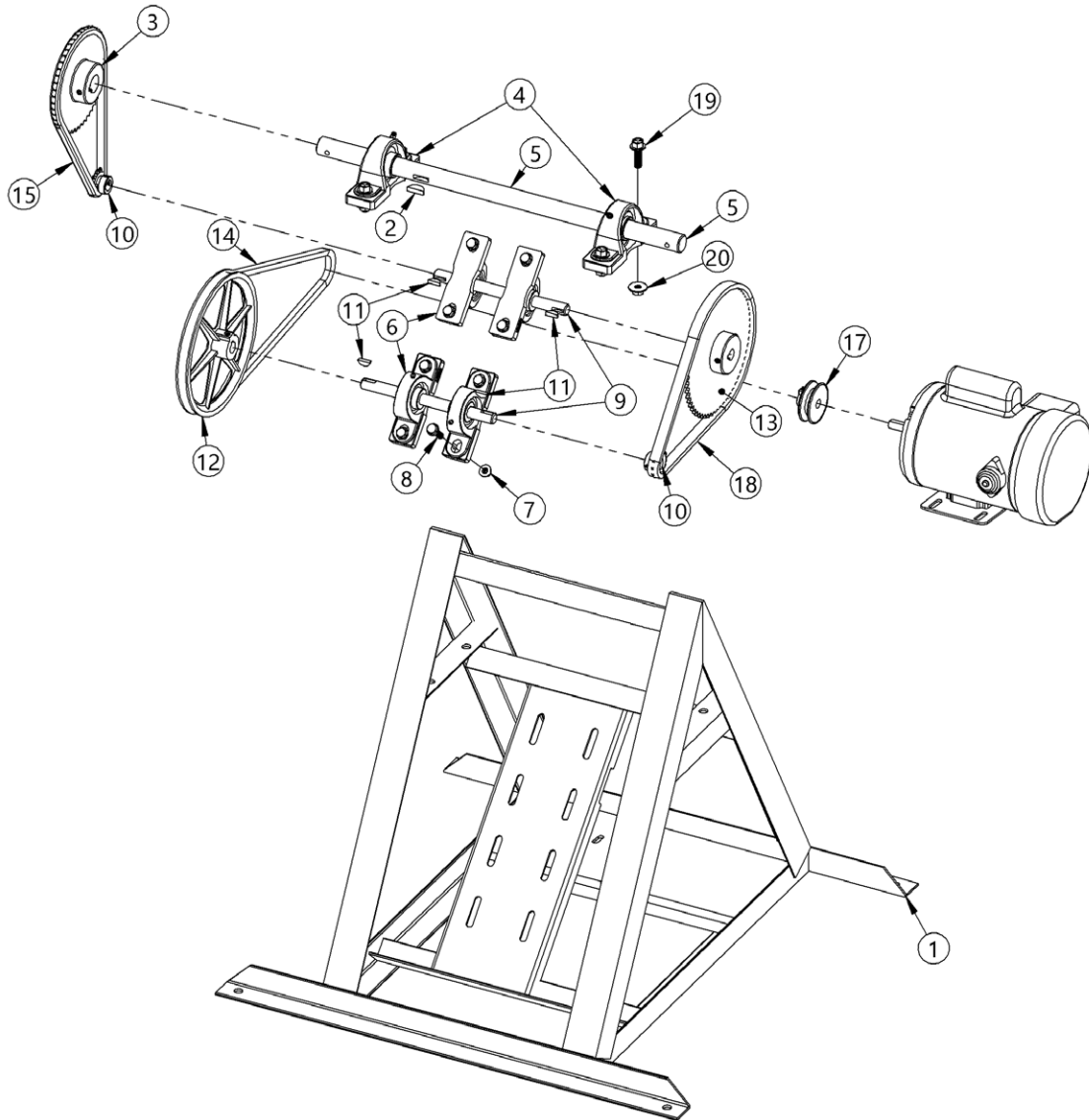


**Parts Diagram for Frame Used On Morse 305 Series**  
**Serial Number 289777 to \_\_\_\_\_**



ITEM NO.	PART NUMBER	DESCRIPTION	QTY.
1	955-P	FRAME WELD, 305 SERIES	1
2	736-P	KEY, WOODRUFF, SIZE 15, ASA808	1
3	940-P	SPROCKET #35 48T, 1" BORE	1
4	297-P	BEARING, 1" PILLOW BLOCK	2
5	970-P	DRIVE SHAFT, 305 SERIES	1
6	5583-P	BEARING, 5/8" PILLOW BLOCK	4
7	1634-P	NUT, 5/16-18 WHIZ LOCK	8
8	1635-P	BOLT, 5/16-18 X 1-1/4 WHIZ	8
9	194-P	JACK SHAFT, 201, 305 SERIES	2
10	2544-P	SPROCKET #35 12T, 5/8" BORE	2
11	735-P	KEY, WOODRUFF, SIZE 9, ASA606	4
12	850-P	SHEAVE, 8" X 5/8 BORE, 305	1
13	2549-P	SPROCKET #35 60T, 5/8" BORE	1
14	845-P	VEE BELT, L SECTION, 305	1
15	945-P	CHAIN, ROLLER, #35 73 PITCH	1
17	950-P	SHEAVE, 2-1/4 X 1/2 BORE, 305	1
18	2949-P	CHAIN, ROLLER, #35 78 PITCH	1
19	4003-P	BOLT, 3/8-16 X 1-1/4 WHIZ	4
20	4002-P	NUT, 3/8-16 WHIZ LOCK	4