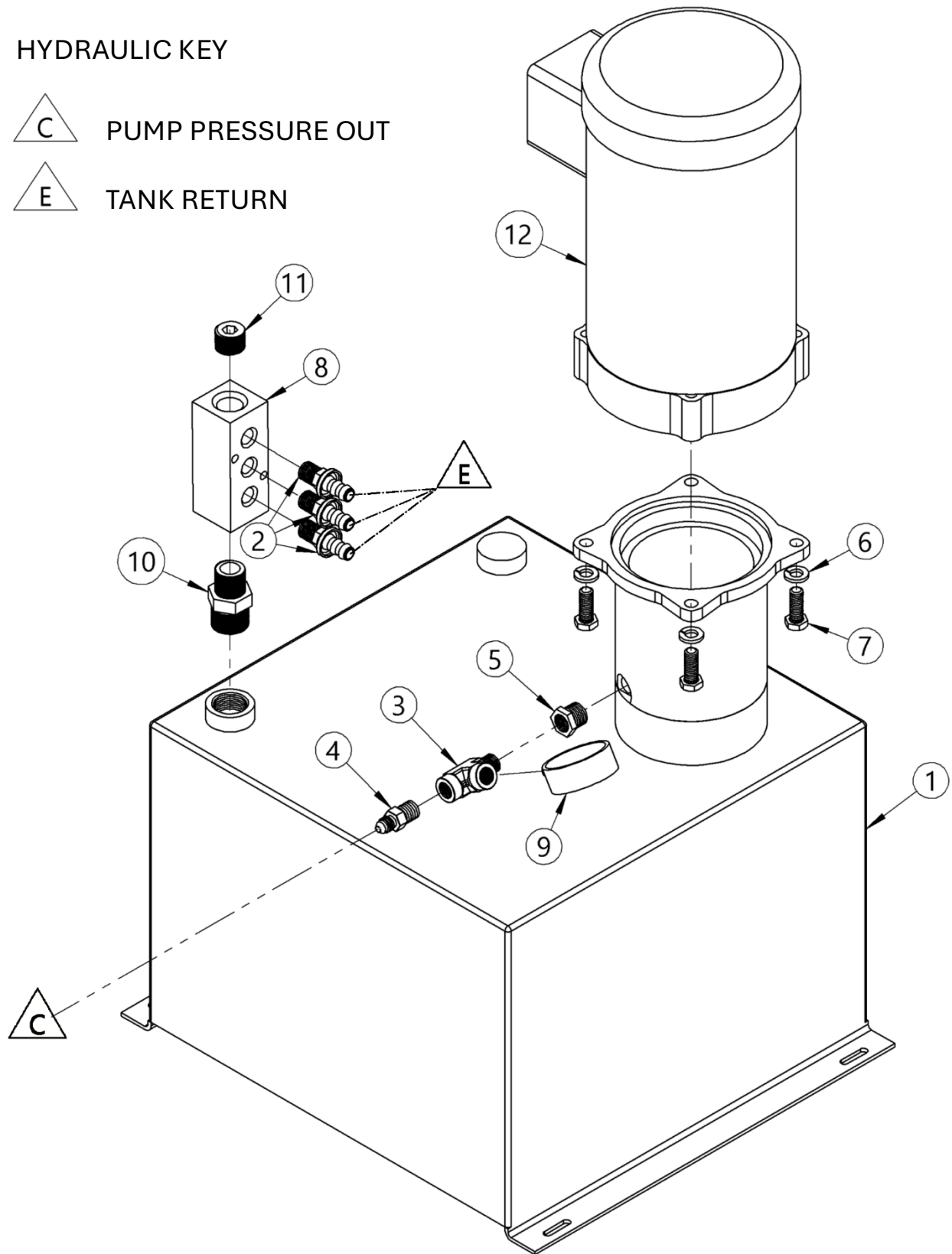


HYDRAULIC KEY

 PUMP PRESSURE OUT

 TANK RETURN



ITEM	QTY.	PART NUMBER	DESCRIPTION
1	1	M404-310-P	HYD POWER PACK, 310
2	3	1107-P	HYD FIT, PUSH LOK 1/4 X 3/8
3	1	1105-P	HYD FIT, RUN TEE, 456, 310
4	1	345-P	HYD FIT, ST, 1/4 NPT, FLARE
5	1	3299-P	HYD FIT, PIPE REDUCER 3/8-1/4
6	4	1474-P	WASHER, 3/8 SPLIT LOCK
7	4	1572-P	HHCS, 3/8-16 X 1 GR2 ZINC
8	1	5740-P	MANIFOLD, RETURN, 310
9	1	5744-P	PRESSURE GAUGE, 310 311 0-3000
10	1	5741-P	HYD FIT, PIPE NIPPLE, 3/4-1/2
11	1	5745-P	HYD FIT, PLUG, 1/2" NPT
12	1	>	SEE MOTOR CHART

MOTOR CHART

ITEM	QTY.	MODEL NUMBER	MOTOR NUMBER	DESCRIPTION
12	1	310-1	3186-1-P	MOTOR, 2HP, 1PH, 3450 RPM
		310-1-50, 310-1-50-CE	3186-1-50-P	MOTOR, 2HP, 1PH, 2850 RPM 50HZ
		310-3	3186-3-P	MOTOR, 2HP, 3PH, 3450 RPM
		310-3-50, 310-3-50-CE	3186-3-50-P	MOTOR, 2HP, 3PH 2850 RPM 50HZ
		310-3-575	3186-575-P	MOTOR, 2HP, 3PH, 3450 RPM 575V
		310-E1	3186-E1-P	MOTOR, 2HP, 1PH, 3450 RPM EXP
		310-E1-50	3186-E1-50-P	MOTOR, 2HP, 1PH, 2850 50HZ EXP
		310-E3	3186-E3-P	MOTOR, 2HP, 3PH, 3450 RPM EXP
		310-E3-50	3186-E3-50-P	MOTOR, 2HP, 3PH, 2850 50HZ EXP
		310-A	290-A-2P	MOTOR, 2HP, AIR, 56C