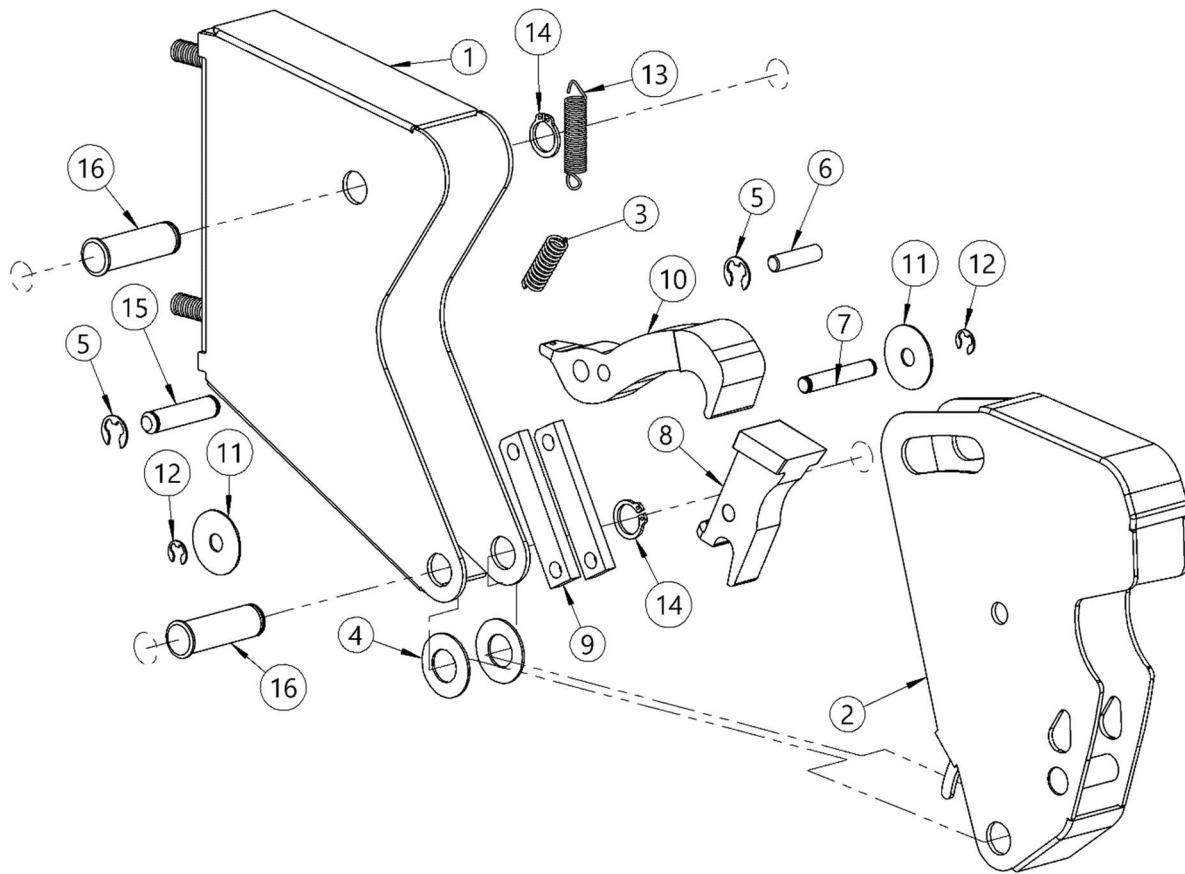


Part 3360M-P

Head Assembly, Spark Resistant

SN 0816 to Current (MMYY) or 400000 to Current



ITEM	QTY.	PART	DESCRIPTION
1	1	3861BSS-P	BACK HEAD WELD, LDH, SS
2	1	3861FSS-P	FRONT HEAD WELD, LDH, SS
3	1	1110-P	SPRING, COMPRESSION, 155
4	2	62-P	WASHER, 3/4 SPRING
5	2	3461SS-P	E CLIP, SS, 1/2", 82HM
6	1	3460SS-P	PIN, INNER LINK 3/8 X 1.437 SS
7	1	3354SS-P	PIN, GROOVE, 3/8 X 2" C LDH SS
8	1	2166M-P	LOWER JAW WELD, LAMINATE, SR
9	2	3355-P	LINK, JAW (2) SMALL
10	1	2165M-P	UPPER JAW WELD, LAMINATE, SR
11	2	3362SS-P	WASHER, 3/8" FENDER, SS
12	2	3361SS-P	E CLIP, SS, 3/8" 82HM
13	1	3879-P	SPRING, LDH, RED
14	2	5330SS-P	SNAP RING, EXT, 3/4", SS
15	1	3352SS-P	PIN, HOOK PIVOT 1/2 X 2.052 SS
16	2	5586LSS-P	PIN, GROOVE, 3/4 X 2.18 C SS