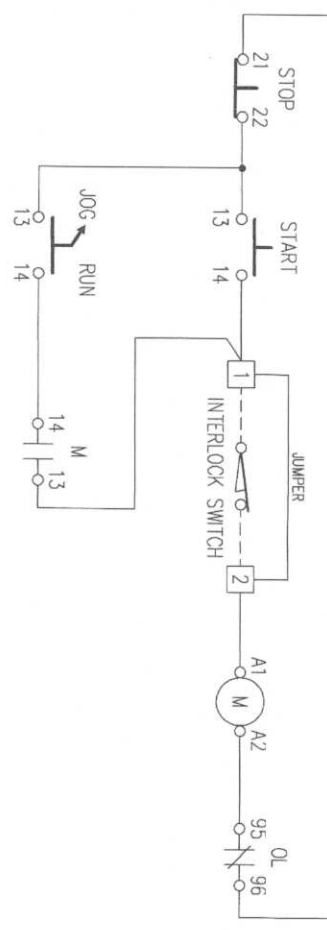
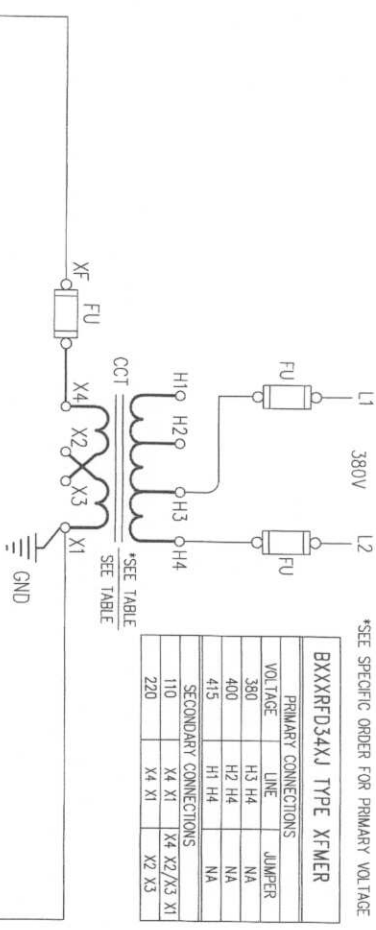


CUSTOMER TO SUPPLY PROPER BRANCH
CIRCUIT PROTECTION AS PER LOCAL CODES.
(USE 75°C COPPER WIRE ONLY)

*SEE SPECIFIC ORDER FOR PRIMARY VOLTAGE

BXXXXRFD34XJ TYPE XFEMER			
PRIMARY CONNECTIONS			
VOLTAGE	LINE	JUMPER	
380	H3 H4	NA	
400	H2 H4	NA	
415	H1 H4	NA	
SECONDARY CONNECTIONS			
110	X4 X1	X4 X2/X3 X1	
220	X4 X1	X2 X3	



TERM. BLOCK DETAIL



- NOTES:
- 1) TB JUMPER TO BE REMOVED IF INTERLOCK SWITCH IS USED.
 - 2) X2 TERMINAL GROUNDED AS STANDARD, REMOVE IF NOT REQUIRED.
 - 3) X2 TERMINAL GROUNDED AS STANDARD, REMOVE IF NOT REQUIRED.

NOTICE
THIS DRAWING IS THE CONFIDENTIAL PROPERTY OF SPRECHER SCHUH, INC. and, as such, is subject to recall at any time. The drawing may not be reproduced, used or disclosed for any purpose except as authorized by SPRECHER SCHUH, INC.

DRAWN BY: MB
CHECKED BY: MH
APPROVED BY: PD
DATE:

CUSTOM CONTROL PANEL
FVNR W/ TB'S FOR INTERLOCK SWITCH
PART NUMBER - 3976C-P
AUBURN ARMATURE - MORSE MFG

