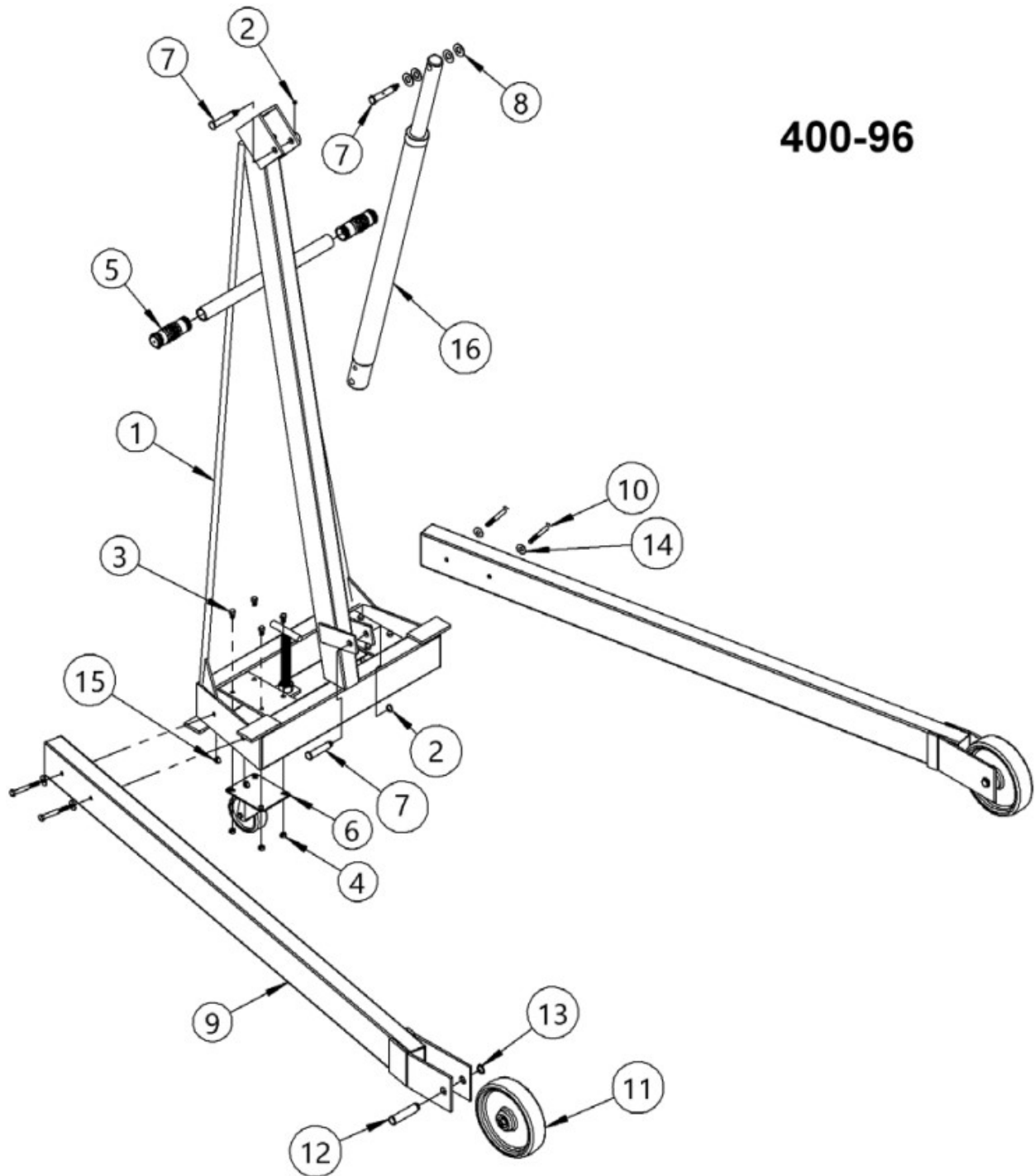


Part 400-96

400 Series Base Assembly

SN 0217 to Current (MMYY) or 400000 to Current



Part 400-96

400 Series Base Assembly

SN 0217 to Current (MMYY) or 400000 to Current

Item	Part Number	Qty.	Description
1	3999-P	1	ASM, TOWER, 400A-96
2	1005-P	2	SET SCREW, 5/16-18 X 3/8 KNURL
3	215-P	8	HHCS, 5/16-18 X 5/8 GR2
4	1634-P	8	NUT, 5/16-18 WHIZ LOCK
5	83-P	2	GRIP, HANDLE, 1-1/4 X 4-1/2
6	3308-P	2	CASTER, 4" SWIVEL, DBL RACE
7	6061-P	3	PIN, CLEVIS, 400, GREASE FIT
8	17-P	4	WASHER, 5/8 SAE FL 1-5/16 OD
9	134-84-P	2	LEG WELD, 400A-84, 96, 405
10	1521-P	4	HHCS, 3/8-16 X 3 GR5
11	87-P	2	WHEEL, MORTUF, 8", 3/4" BRG
12	5329-P	2	PIN, GROOVE, 3/4 X 3.10 C
13	5330-P	2	SNAP RING, EXT, HD, .078, 3/4"
14	1166-P	4	WASHER, 3/8 USS 1" OD, ZINC
15	1169-P	4	NUT, 3/8-16 REV HEX LOCK
16	3006-P	1	CYLINDER, 1.5 X 29 1X VERT, 96