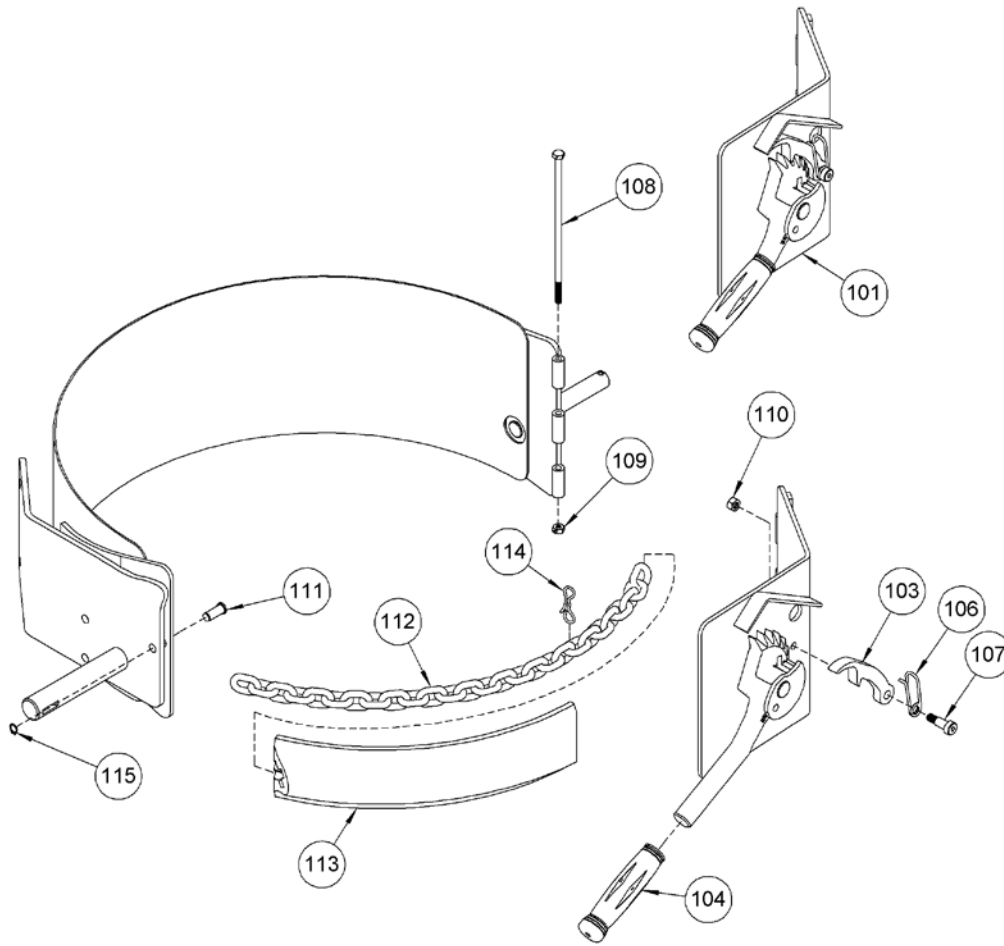


Stainless Steel MORcinch Drum Holder Assembly



ITEM	QTY.	PART #	DESCRIPTION
101*	1	4214ASS-P	RATCHET HINGE CPT, MOR, SS
103	1	168SS-P	PAWL, STEEL-IT
104	1	4409-P	GRIP, HANDLE 7/8" X 4-3/4" RED
106	1	169SS-P	SPRING, PAWL, SS
107	1	170SS-P	3/8" DIA X 5/8" SHOULDER, SS
108	1	1296SS-P	HHCS, 1/4-20 X 7-1/2, SS
109	1	1518SS-P	NUT, 1/4-20 NYLON LOCK, SS
110	1	3920SS-P	NUT, 5/16-18 NYLON LOCK, SS
111*	1	4172SS-P	PIN, CINCH CHAIN, 5000M-P
112*	1	4408-P	CHAIN, CINCH, 9/32 SS, 38 LINK
113*	1	4414-P	COVER, CINCH CHAIN, FLEX PVC
114	1	4710-P	PIN, BOW TIE COTTER, MOR
115*	1	4744SS-P	SNAP RING, EXTERNAL, 3/8" SS

* Recommended spare parts.